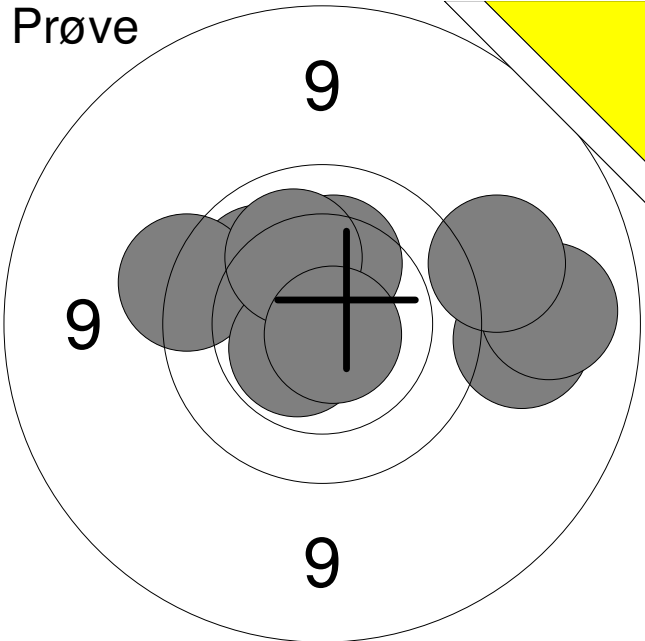
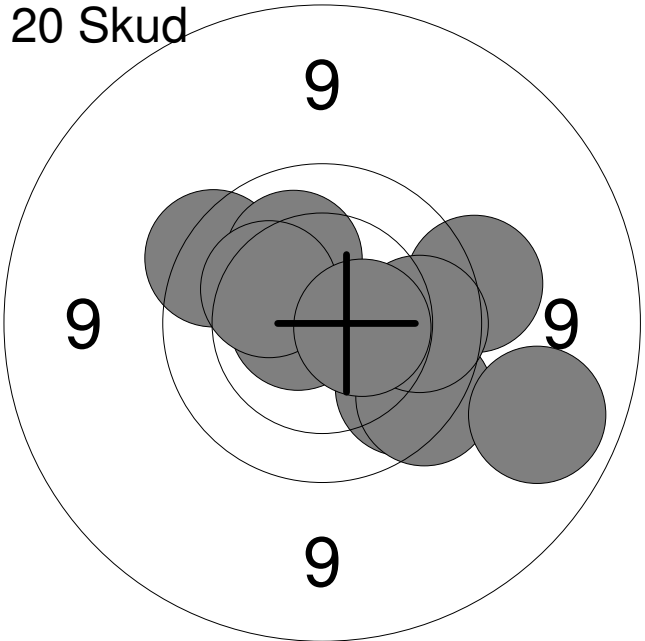
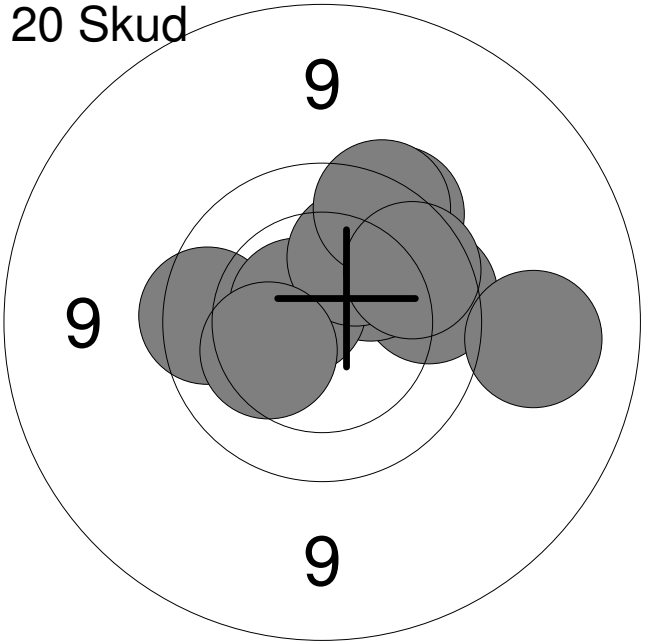
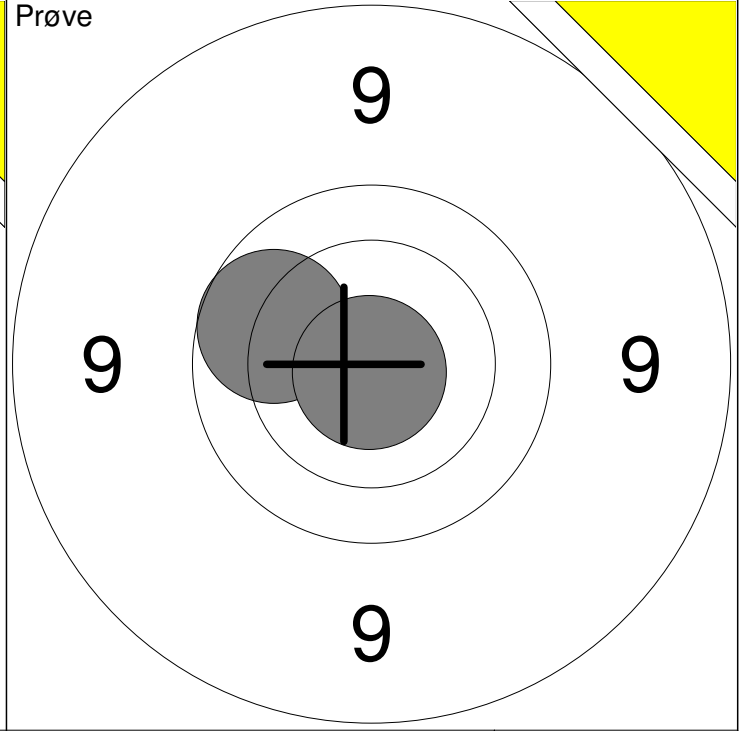
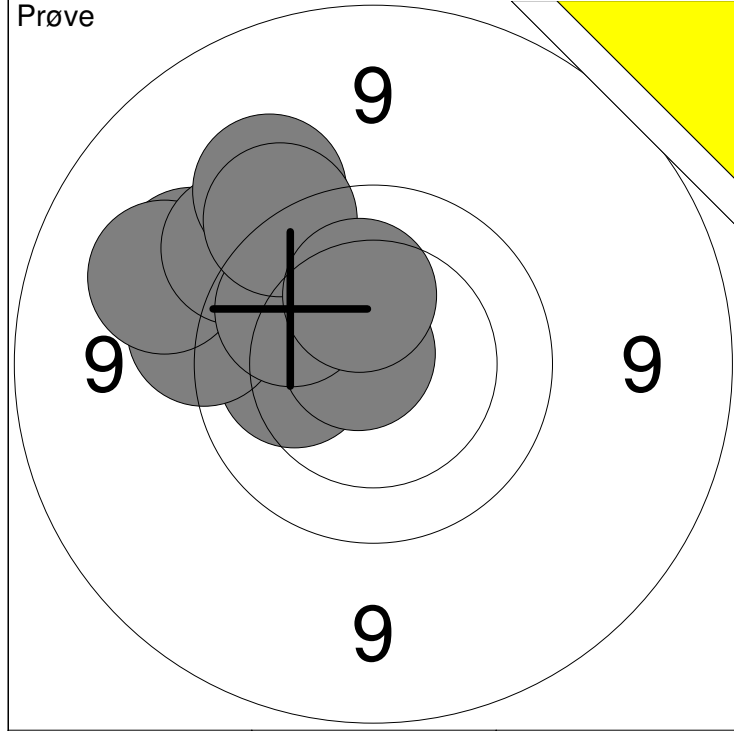
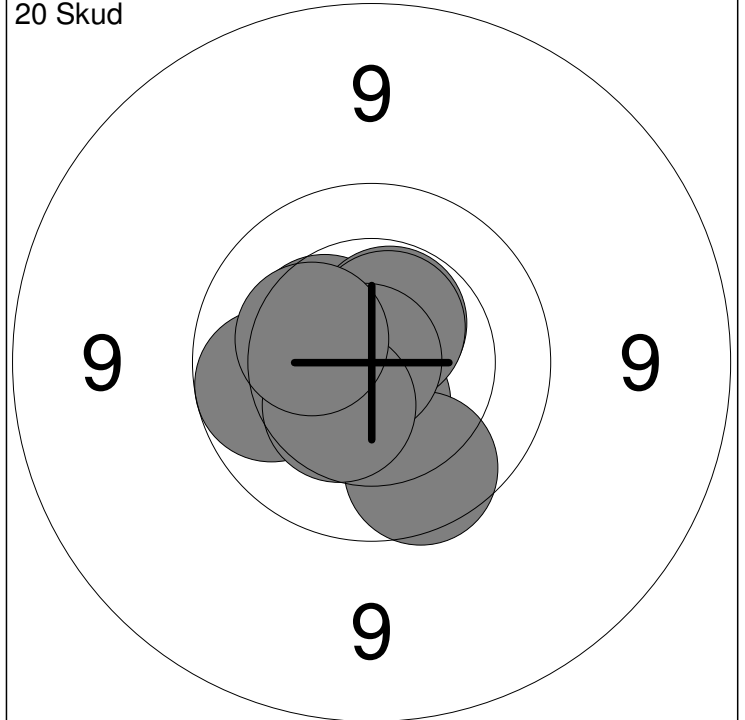
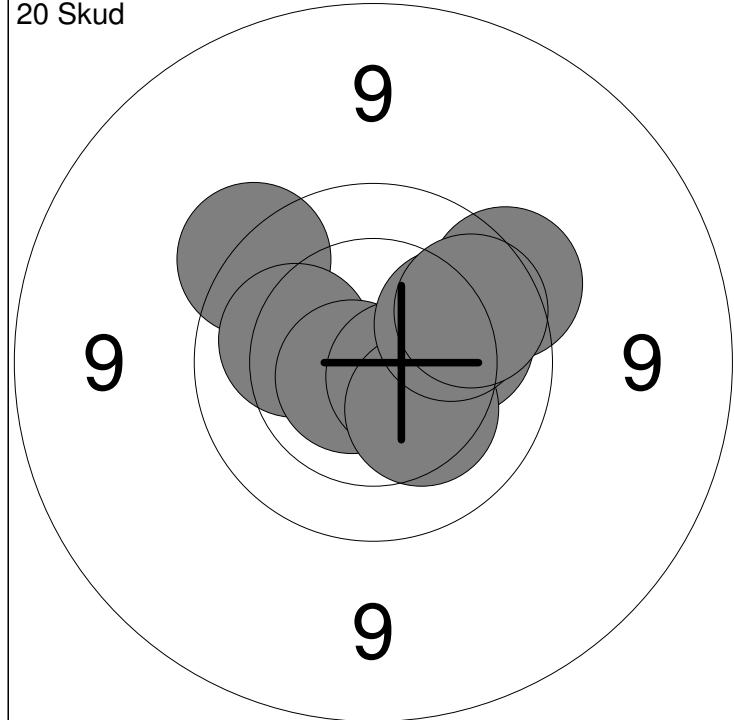


Hold 8	Skive 1	Anton Christensen		
Aalborg		Frederikshavn Skyttekreds		US1
28.10.2017		15 meter riffelstævne 2017		Aalborg Skyttekreds
Prøve 		1: 9.3 → 2: 10.1 ↗ 3: 9.1 → 4: 9.4 → 5: 9.6 ← 6: 10.6x ↙ 7: 10.3 ↑ 8: 10.2 ↗ 9: 10.8x ↙		
		Serie		86
		Total		0
20 Skud 		1: 9.9 ↘ 2: 9.5 → 3: 9.7 ↘ 4: 9.9 → 5: 9.7 ↗ 6: 9.1 ↘ 7: 10.7x ← 8: 10.2 ↗ 9: 10.3 ↗ 10: 10.5x →		
		Serie		94
		Total		94
20 Skud 		11: 9.8 → 12: 10.2 ↗ 13: 9.2 → 14: 9.8 ← 15: 10.6x ↗ 16: 10.1 ↗ 17: 9.7 ↗ 18: 10.3 ← 19: 9.7 ↗ 20: 9.9 ↗		
		Serie		94
		Total		188



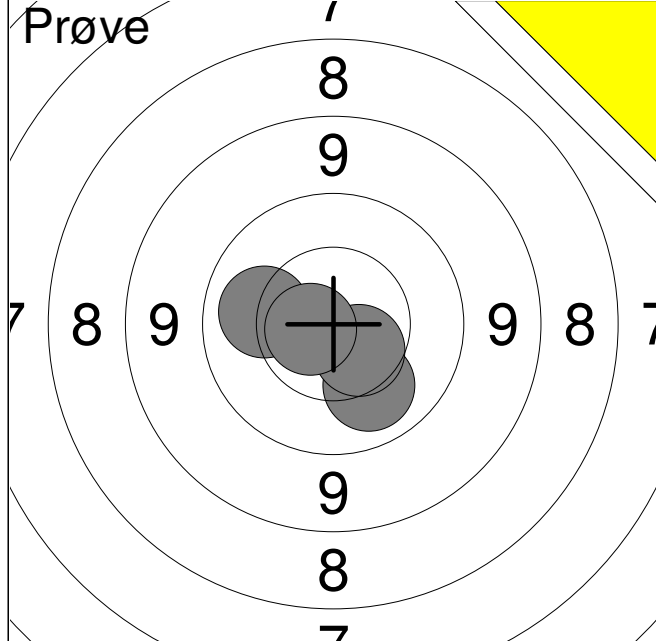
1: 9.4 ↗	6: 10.8x ↖	Serie	94
2: 10.2 ←	7: 9.4 ↗		
3: 9.6 ←	8: 10.0 ↗	Total	0
4: 9.3 ↗	9: 9.6 ↗		
5: 9.5 ↗	10: 10.3 ↗		

11: 9.9 ↖	Serie	19
12: 10.9x ↓		
	Total	0

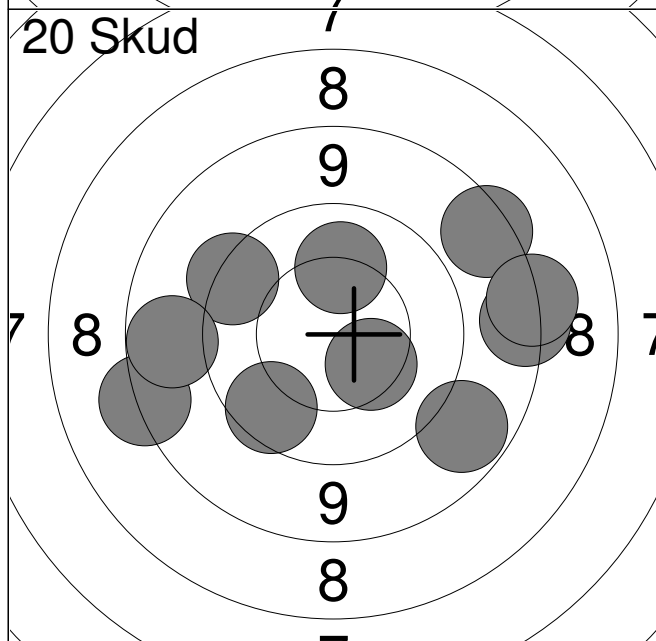


1: 9.6 ↗	6: 10.6x →	Serie	97
2: 10.4 →	7: 9.7 ↗		
3: 10.2 ←	8: 10.3 ↓	Total	97
4: 10.1 →	9: 10.1 ↗		
5: 10.7x ↙	10: 9.9 ↗		

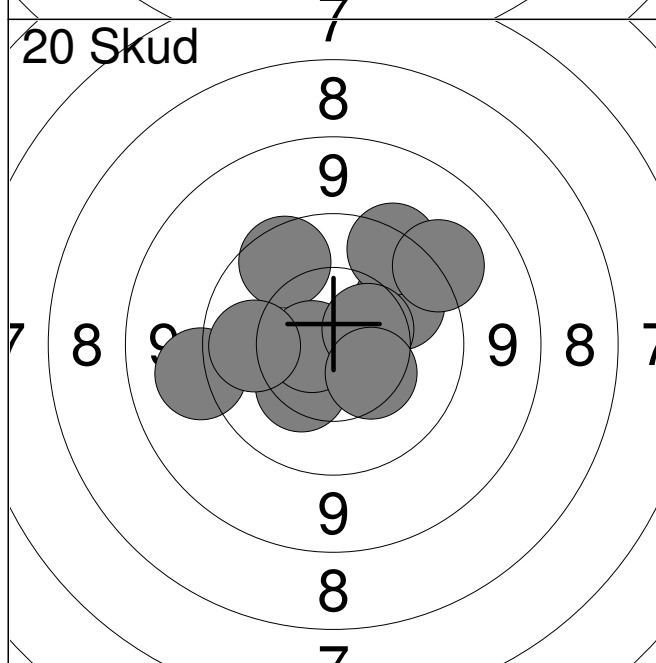
11: 10.6x ↓	16: 9.9 ↓	Serie	98
12: 10.4 ↖	17: 10.9x ↖		
13: 10.5x ↗	18: 9.9 ←	Total	195
14: 10.3 ←	19: 10.4 ↓		
15: 10.6x ↗	20: 10.3 ↖		



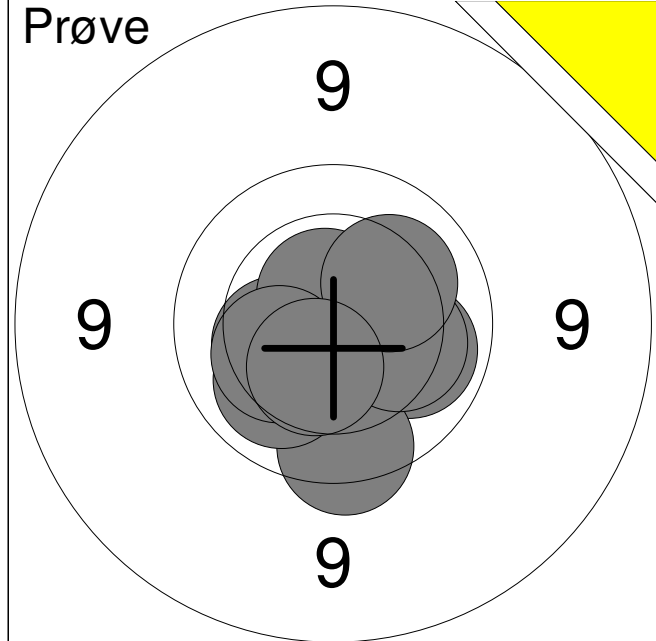
1:	10.1	↘
2:	10.1	←
3:	10.5	↘
4:	10.7x	←
Serie		40
Total		0



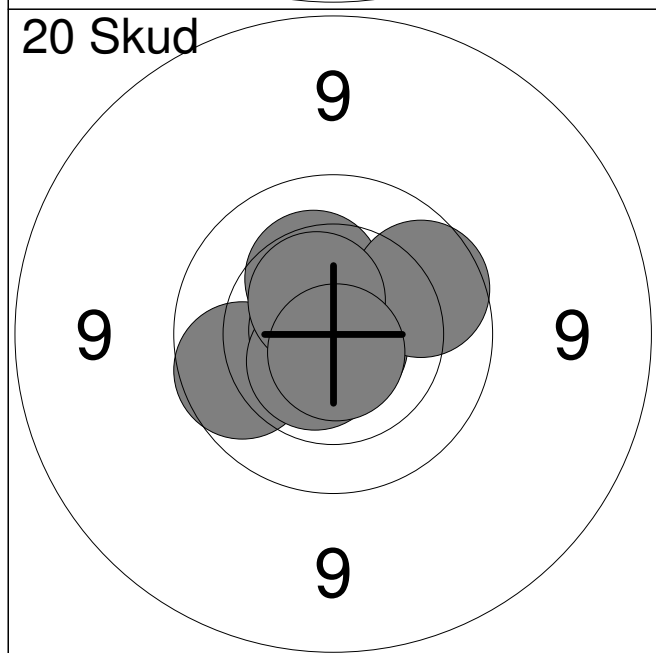
1:	8.5	←
2:	9.8	↘
3:	9.6	↗
4:	10.4	↘
5:	8.5	→
6:	9.0	←
7:	9.0	↘
8:	10.2	↑
9:	8.7	↗
10:	8.4	→
Serie		88
Total		88



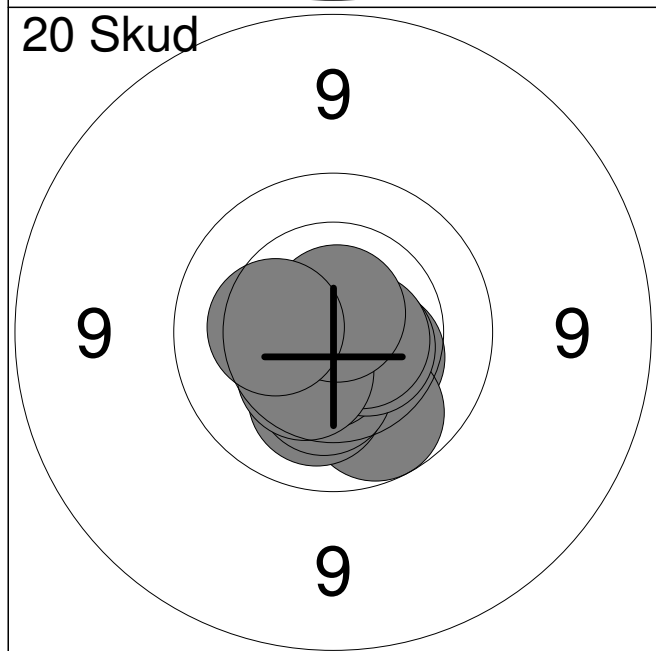
11:	9.8	↗
12:	10.0	↗
13:	9.6	↗
14:	10.3	↘
15:	10.7x	←
16:	9.3	←
17:	10.5	↗
18:	10.0	←
19:	10.4	↘
20:	9.3	↗
Serie		96
Total		184



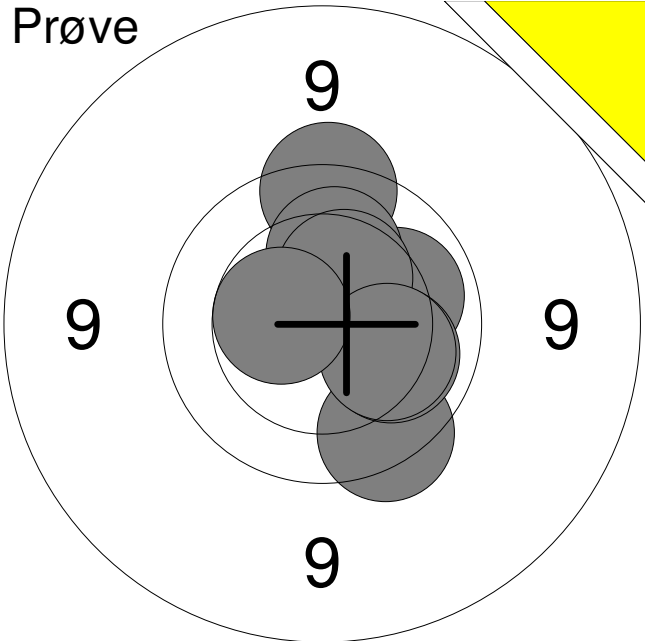
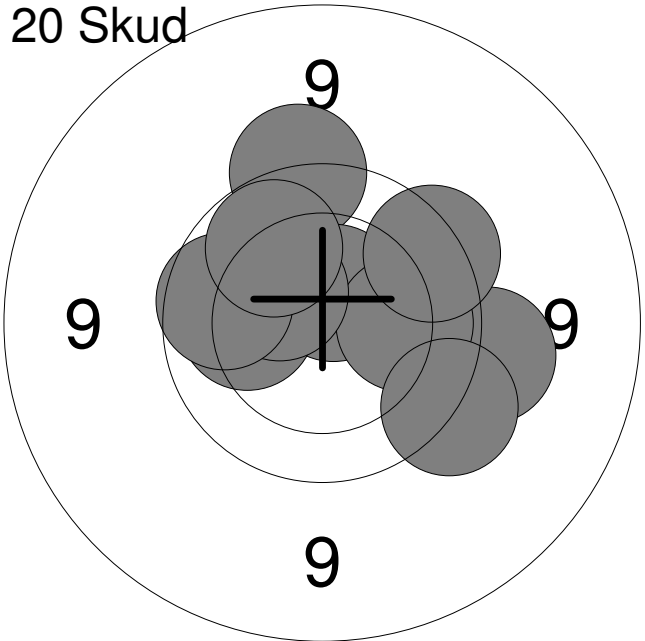
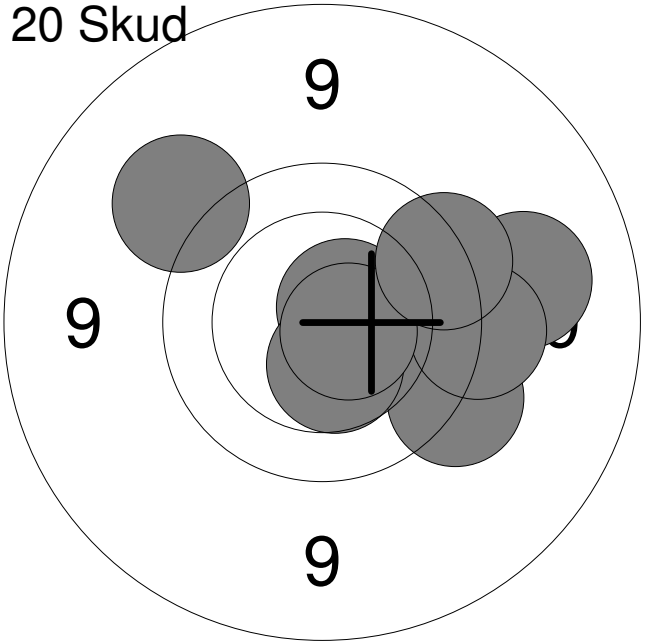
1:	10.1	→
2:	10.4	↓
3:	9.7	↓
4:	10.2	→
5:	10.1	↙
6:	10.3	←
7:	10.6x	↑
8:	10.2	↗
9:	10.3	↖
10:	10.4	↓
Serie		99
Total		0

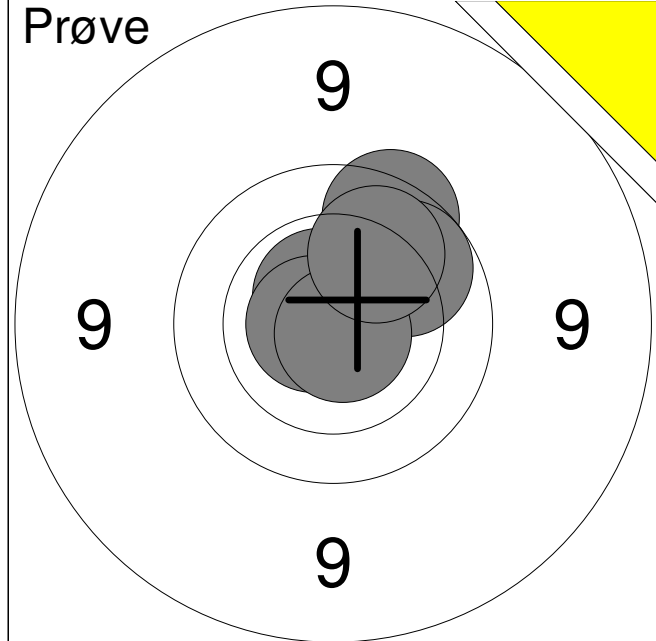


1:	10.9x	←
2:	9.9	←
3:	10.8x	←
4:	10.6x	↑
5:	10.3	↑
6:	10.8x	↓
7:	10.6x	↓
8:	9.9	↗
9:	10.5x	↑
10:	10.7x	↓
Serie		98
Total		98

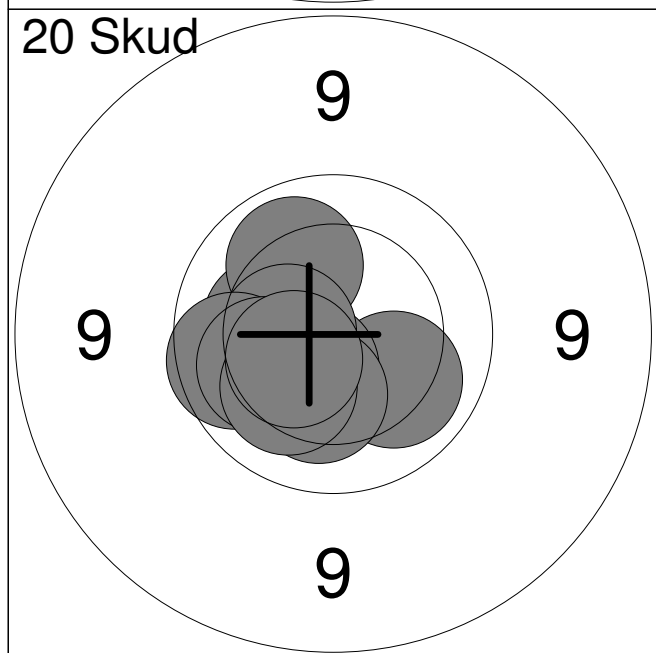


11:	10.4	↘
12:	9.9	↓
13:	10.2	↓
14:	10.3	↓
15:	10.6x	↓
16:	10.5x	↘
17:	10.6x	→
18:	10.4	↙
19:	10.7x	↑
20:	10.3	←
Serie		99
Total		197

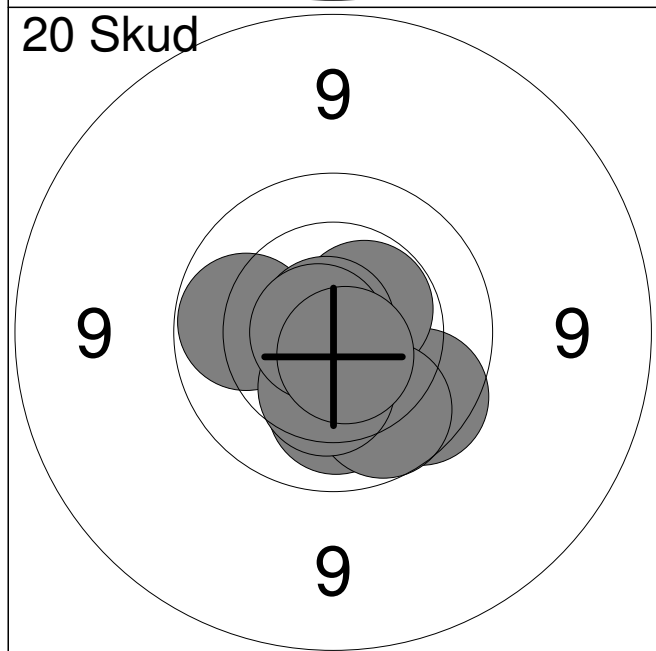
Hold 9	Skive 1	Anton Christensen		
Aalborg		Frederikshavn Skyttekreds		MUS1
28.10.2017		15 meter riffelstævne 2017		Aalborg Skyttekreds
Prøve 		1: 9.7 ↘ 2: 9.7 ↑ 3: 10.1 → 4: 10.1 → 5: 10.2 ↑ 6: 10.4 ↗ 7: 10.2 → 8: 10.5x ←	Serie 78 Total 0	
20 Skud 		1: 9.6 ↑ 2: 9.5 → 3: 10.6x ↗ 4: 10.1 ← 5: 10.0 → 6: 10.4 ↗ 7: 9.7 ↗ 8: 9.6 ↘ 9: 9.9 ← 10: 10.0 ↗	Serie 95 Total 95	
20 Skud 		11: 10.7x ↗ 12: 9.9 → 13: 10.5x ↘ 14: 9.6 ↘ 15: 9.2 → 16: 9.5 → 17: 9.4 ↗ 18: 10.5 ↘ 19: 10.6x → 20: 9.7 ↗	Serie 94 Total 189	



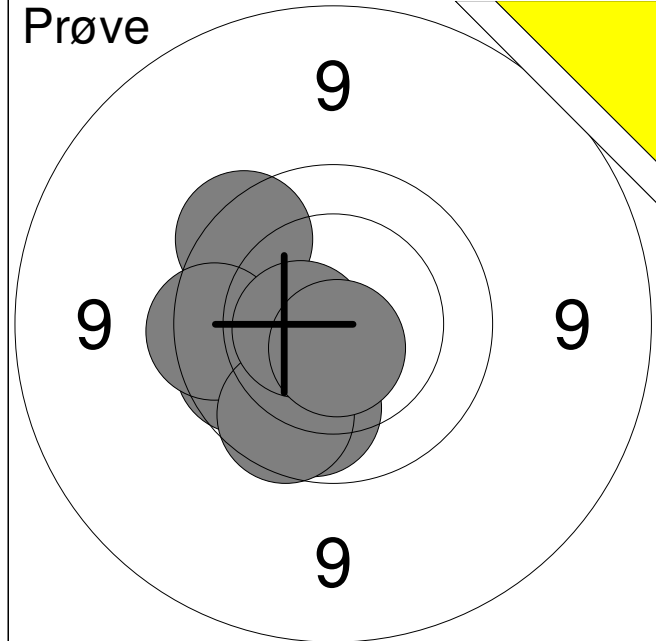
1:	9.8	↗
2:	10.0	↘
3:	10.6x	↖
4:	10.7x	←
5:	10.8x	↙
6:	10.0	↗
Serie		59
Total		0



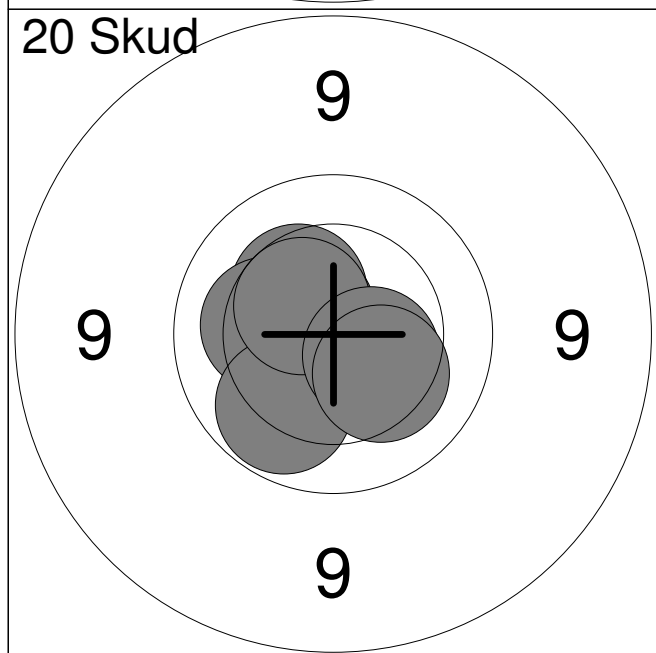
1:	10.1	↘
2:	10.3	←
3:	10.1	↗
4:	10.5x	↙
5:	10.5	←
6:	9.9	←
7:	10.3	↘
8:	10.1	←
9:	10.2	↙
10:	10.4	↖
Serie		99
Total		99



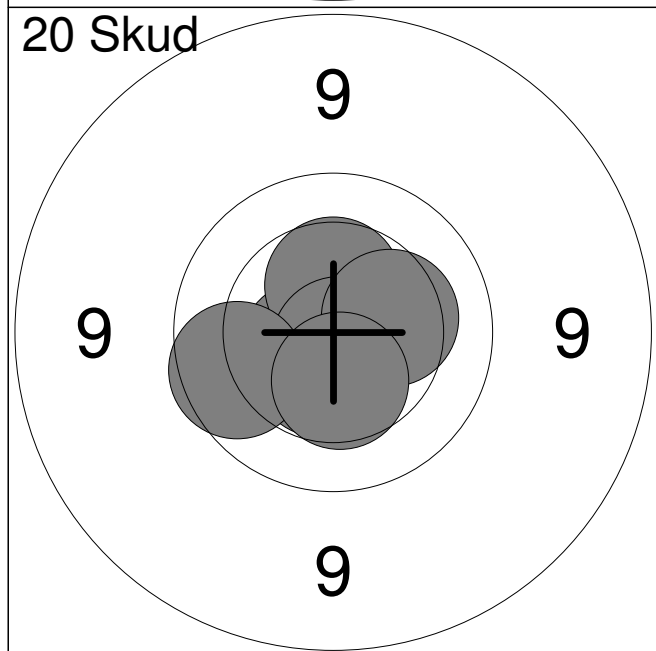
11:	10.1	↘
12:	10.0	←
13:	10.4	↙
14:	9.8	↘
15:	10.5x	↗
16:	9.9	↙
17:	10.8x	↗
18:	10.3	↘
19:	10.8x	←
20:	10.7x	↘
Serie		98
Total		197



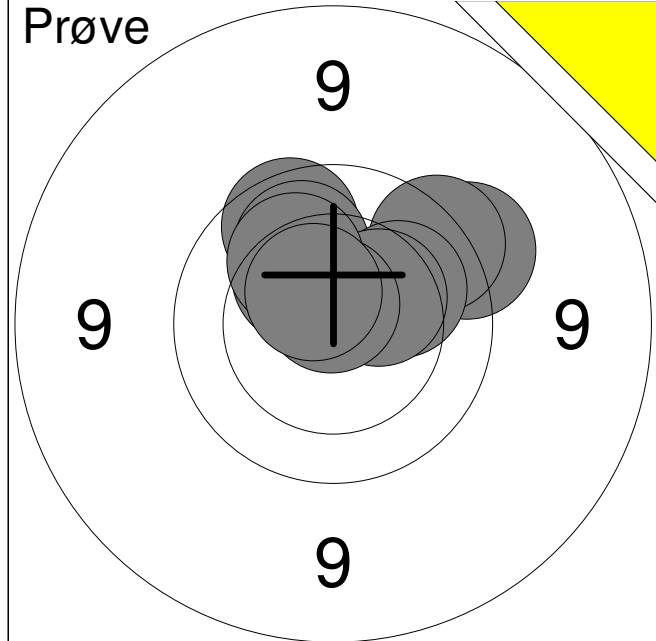
1:	9.7	↗
2:	10.0	↓
3:	9.9	←
4:	9.8	←
5:	9.9	↓
6:	10.6x	←
7:	10.7x	↓
Serie		66
Total		0



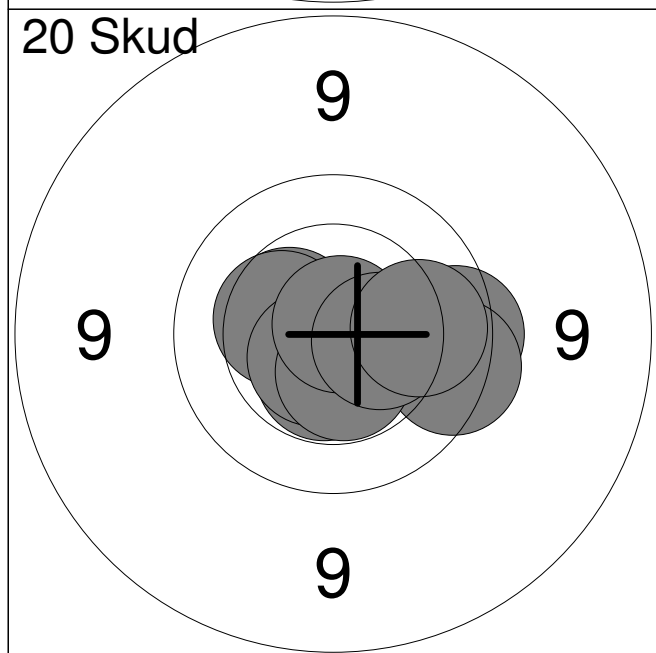
1:	10.7x	↓
2:	10.7x	↓
3:	10.6x	↗
4:	10.7x	↓
5:	10.3	↗
6:	10.2	←
7:	10.0	↓
8:	10.5	↗
9:	10.5	↓
10:	10.3	↓
Serie		100
Total		100



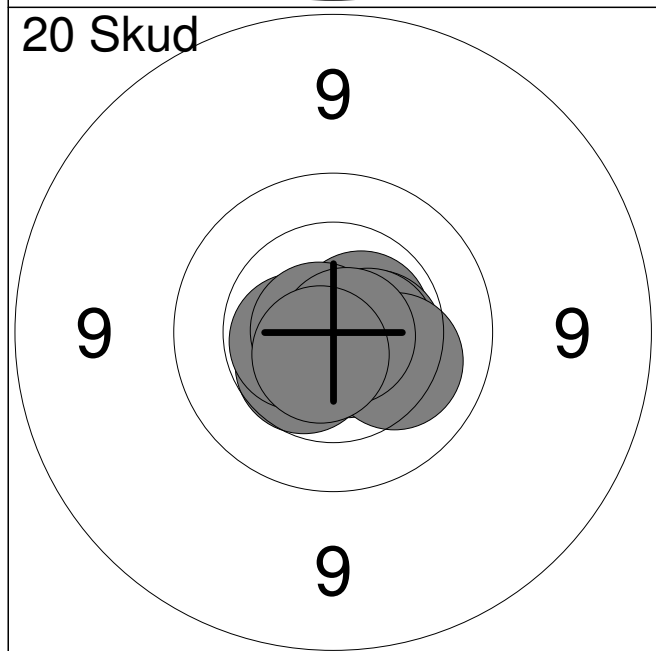
11:	10.7x	→
12:	10.8x	↘
13:	10.5x	↓
14:	10.7x	↓
15:	10.6x	←
16:	10.4	↑
17:	10.8x	↓
18:	10.3	→
19:	9.9	←
20:	10.4	↓
Serie		99
Total		199



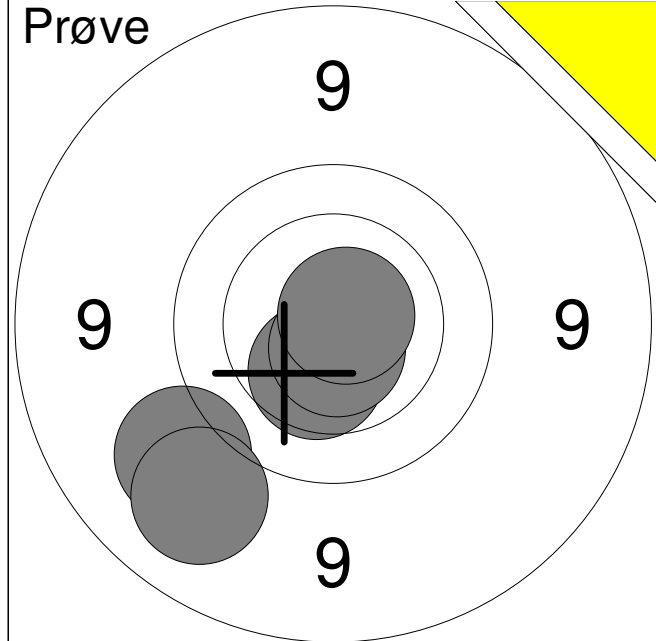
1:	9.6	↗
2:	9.7	↗
3:	9.8	↗
4:	10.1	↗
5:	10.1	↗
6:	10.4	↗
7:	10.3	↗
8:	10.1	↗
9:	10.7x	↗
10:	10.5x	↗
Serie		97
Total		0



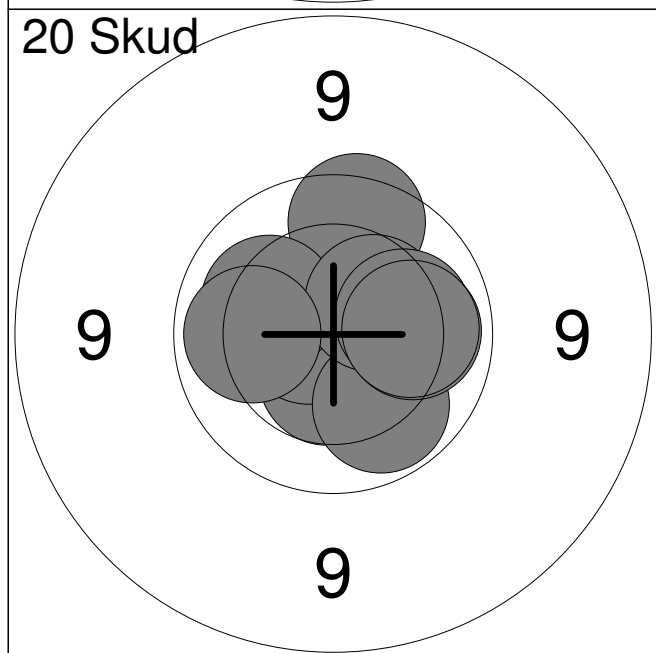
1:	10.5x	↓
2:	10.4	↖
3:	10.4	↖
4:	9.8	→
5:	10.6x	↘
6:	9.7	→
7:	10.5x	↓
8:	10.8x	↗
9:	10.4	→
10:	10.0	→
Serie		98
Total		98



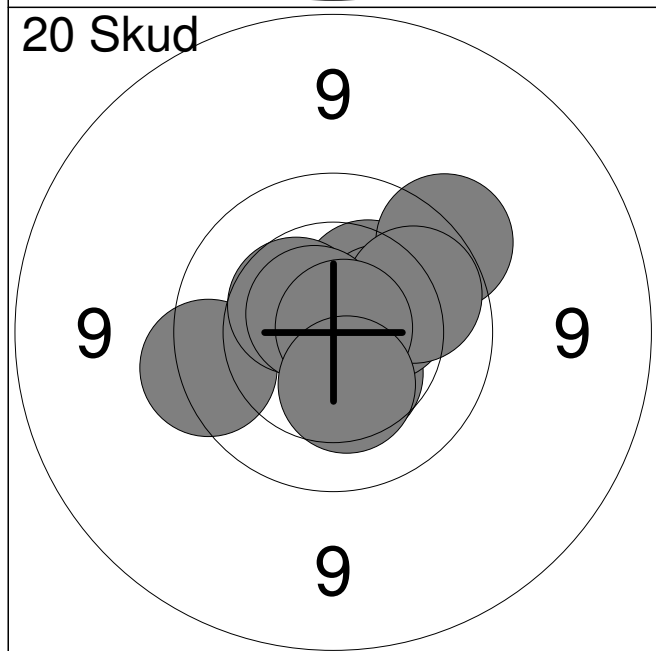
11:	10.5	↘
12:	10.5x	←
13:	10.6x	↗
14:	10.5x	→
15:	10.8x	←
16:	10.7x	↘
17:	10.6x	→
18:	10.2	↘
19:	10.8x	→
20:	10.7x	↘
Serie		100
Total		198



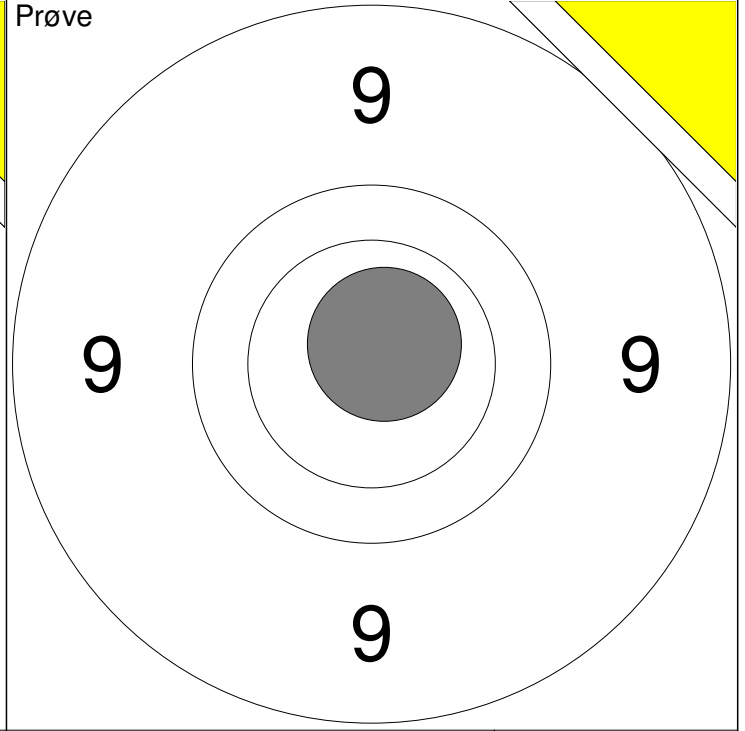
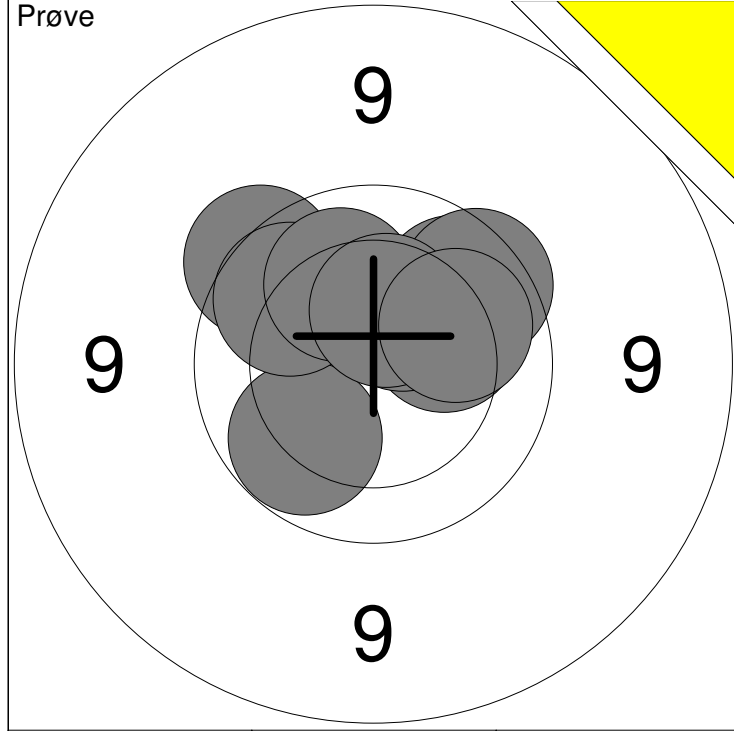
1:	10.4	↓
2:	9.3	↙
3:	9.2	↘
4:	10.7x	↓
5:	10.8x	↗
Serie		48
Total		0



1:	10.5	↓
2:	10.7x	←
3:	10.0	↘
4:	9.8	↑
5:	10.2	↙
6:	10.4	↗
7:	10.2	→
8:	10.1	→
9:	10.1	←
10:	10.1	→
Serie		99
Total		99

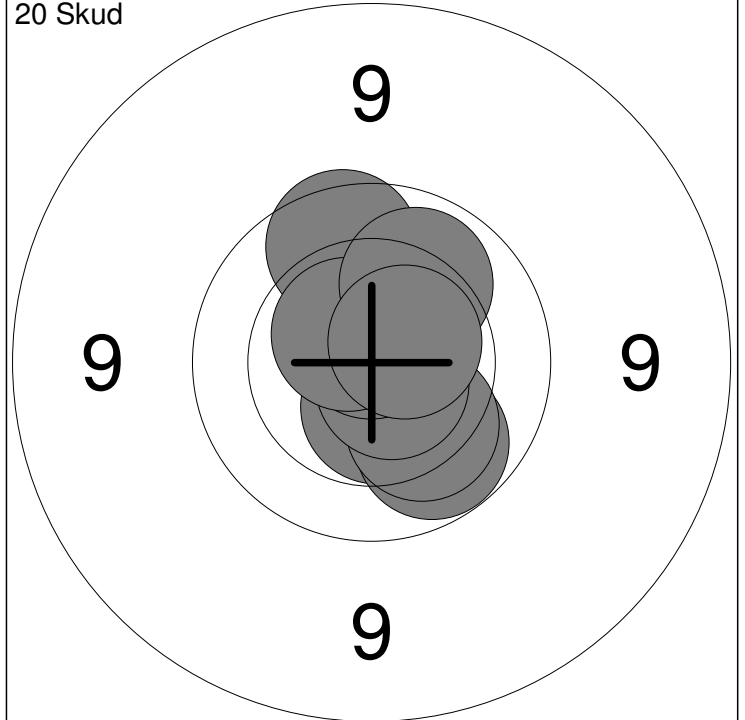
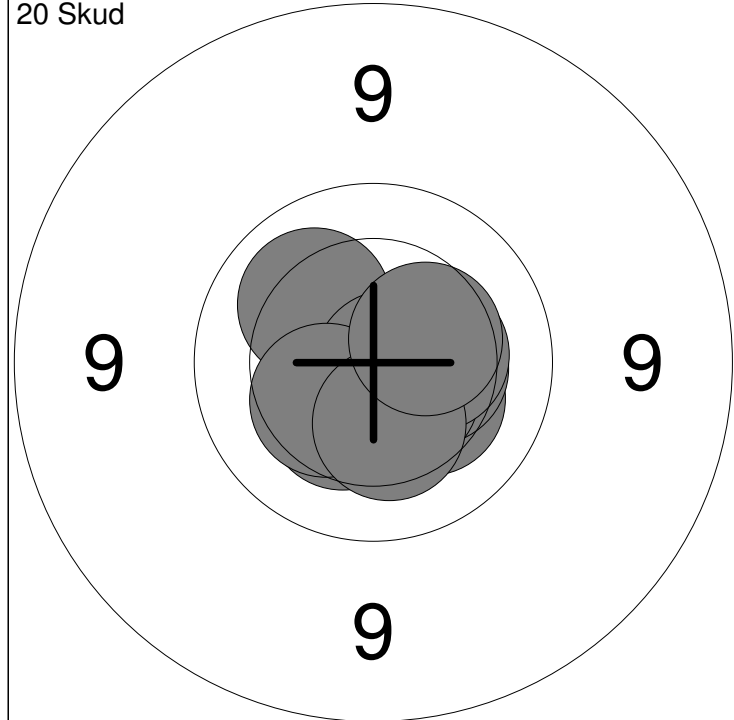


11:	10.3	↗
12:	9.6	↗
13:	9.7	←
14:	10.4	↓
15:	10.4	↗
16:	10.4	↖
17:	10.0	↗
18:	10.7x	↖
19:	10.8x	↗
20:	10.4	↓
Serie		98
Total		197



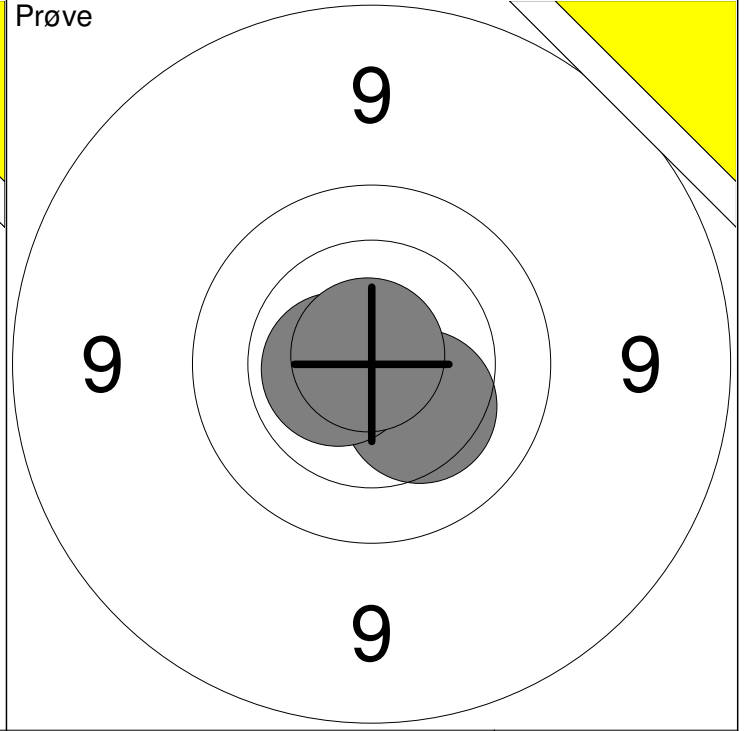
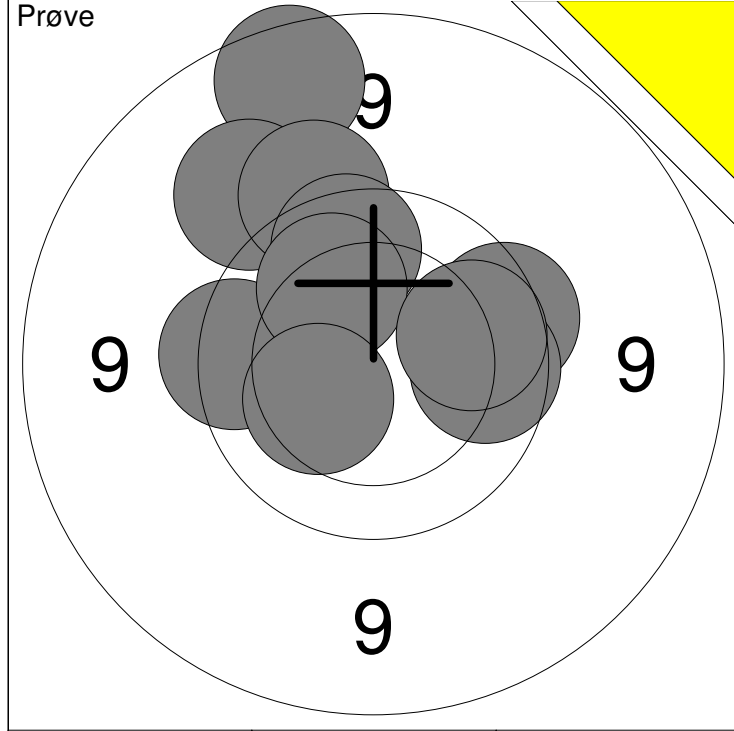
1: 10.0 ↙	6: 10.4 ↗	Serie 96
2: 9.7 ↖	7: 9.9 ↗	
3: 10.2 →	8: 9.8 ↗	Total 0
4: 9.9 ↖	9: 10.4 ↗	
5: 10.1 ↗	10: 10.1 →	

11: 10.7x ↗	Serie 10
	Total 0



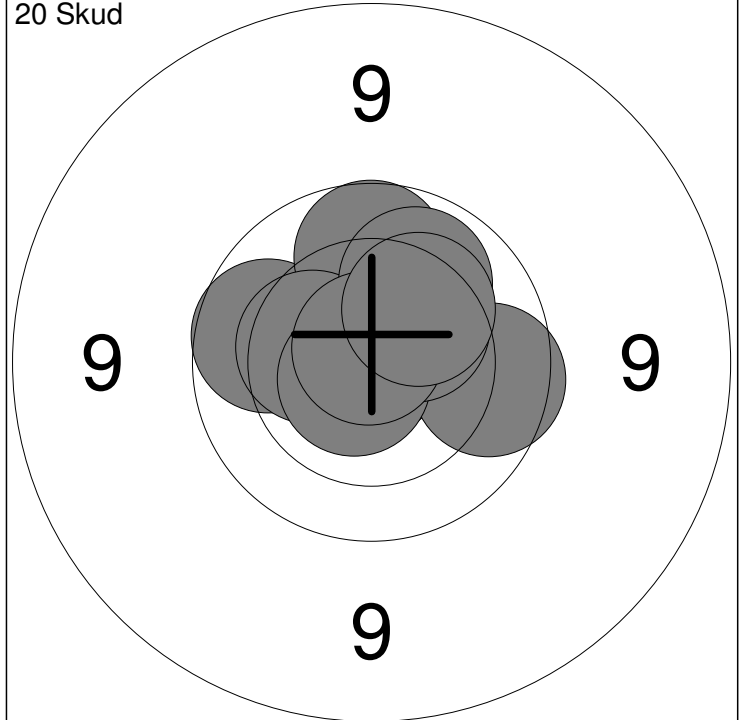
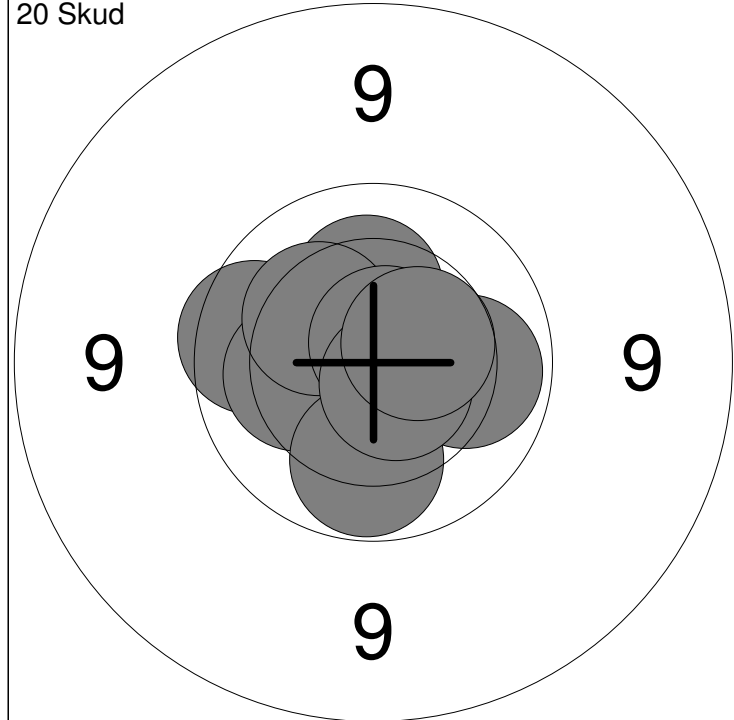
1: 10.3 ↘	6: 10.5x ↘	Serie 100
2: 10.1 ↗	7: 10.4 →	
3: 10.4 →	8: 10.4 ↙	Total 100
4: 10.8x →	9: 10.3 ↘	
5: 10.4 ↙	10: 10.4 ↗	

11: 10.5x ↘	16: 10.7x ↗	Serie 99
12: 9.9 ↗	17: 10.6x ↗	
13: 10.0 ↘	18: 10.6x ↖	Total 199
14: 10.2 ↘	19: 10.1 ↗	
15: 10.7x ↘	20: 10.6x ↗	



1: 8.9 ↗	6: 10.1 ↖	Serie 91
2: 9.3 ↗	7: 10.3 ↙	
3: 9.7 ←	8: 9.7 →	Total 0
4: 9.5 ↗	9: 9.9 →	
5: 9.8 ↗	10: 9.9 →	

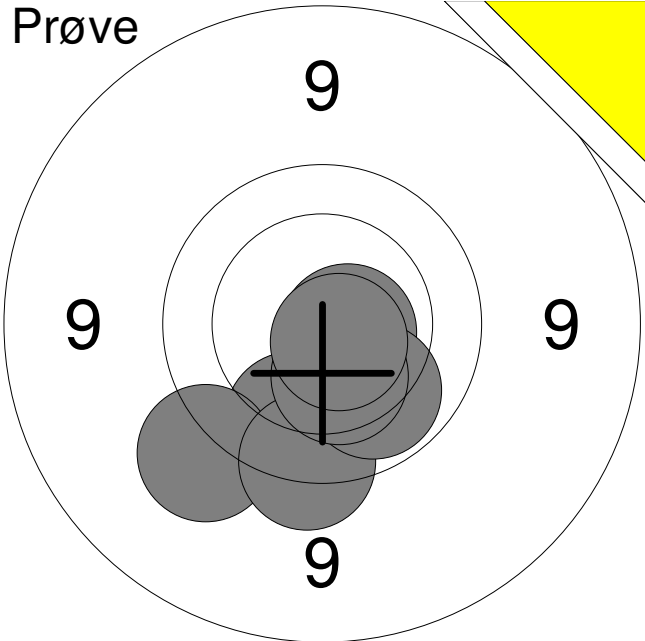
11: 10.3 ↘	Serie 30
12: 10.6x ←	
13: 10.9x ↗	Total 0



1: 10.0 →	6: 10.3 ↖	Serie 99
2: 10.3 ↗	7: 10.7x ↗	
3: 9.8 ←	8: 10.0 ↓	Total 99
4: 10.4 ←	9: 10.6x ↘	
5: 10.2 ←	10: 10.5 →	

11: 10.9x ↗	16: 10.7x ↙	Serie 97
12: 9.9 ←	17: 10.4 ↗	
13: 9.9 ↗	18: 10.1 ↗	Total 196
14: 10.3 ←	19: 10.8x ↗	
15: 9.9 →	20: 10.3 ↗	

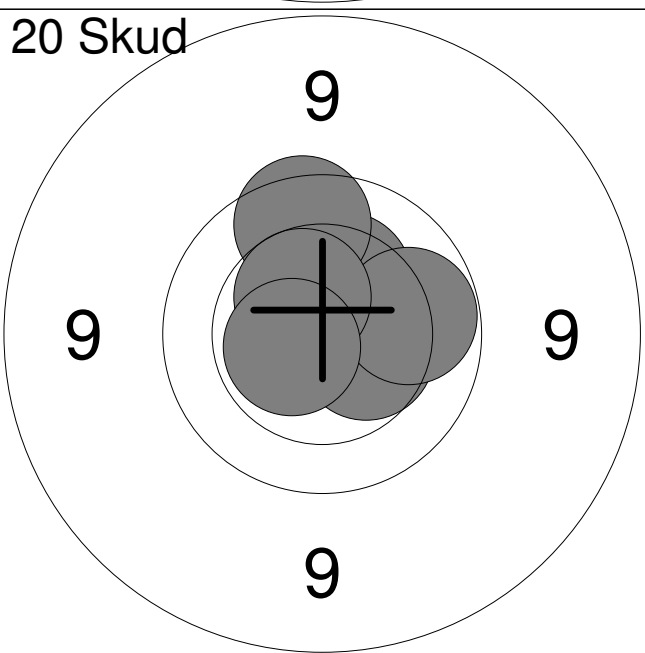
Prøve



1:	9.9	↓
2:	9.4	↙
3:	10.6x	→
4:	9.6	↓
5:	10.0	↘
6:	10.3	↘
7:	10.7x	↘

Serie	67
Total	0

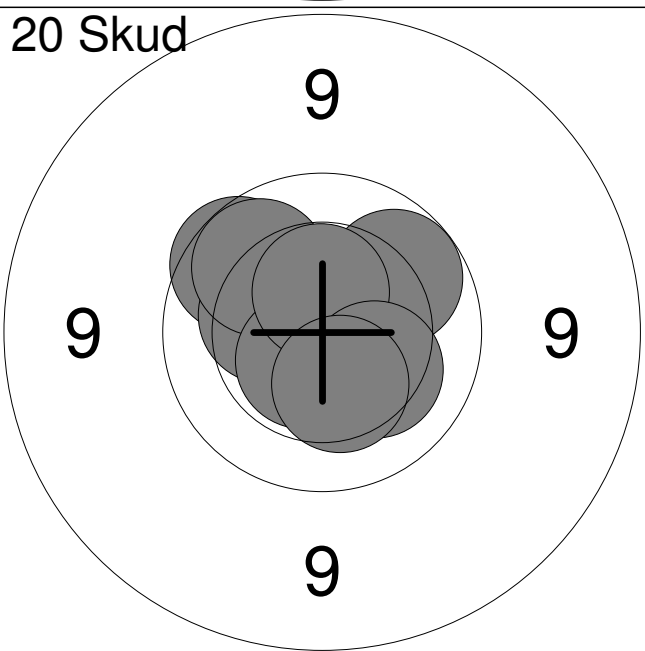
20 Skud



1:	10.3	↗
2:	10.8x	↗
3:	10.6x	→
4:	10.6x	↑
5:	10.3	↑
6:	10.4	↘
7:	9.8	↑
8:	10.0	→
9:	10.5	↑
10:	10.6x	←

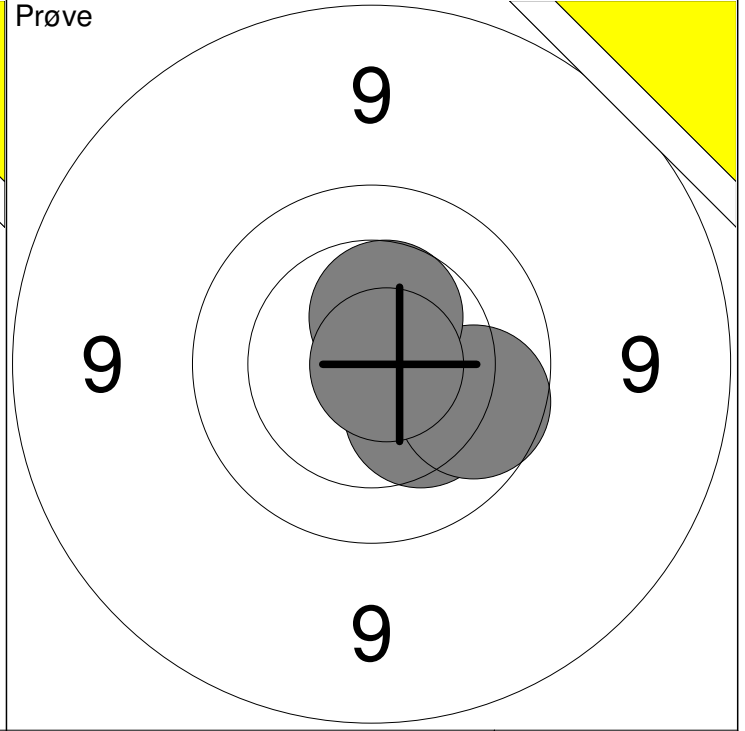
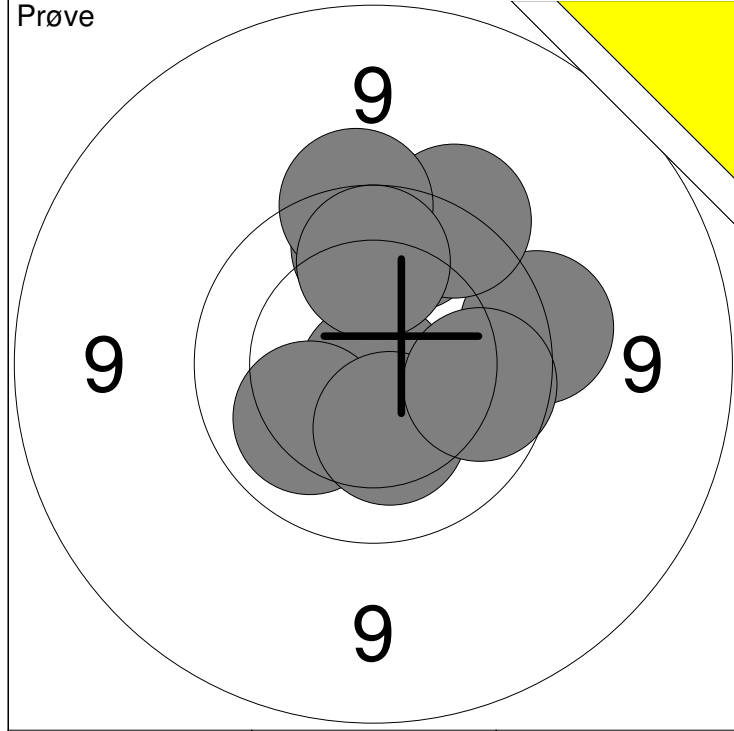
Serie	99
Total	99

20 Skud



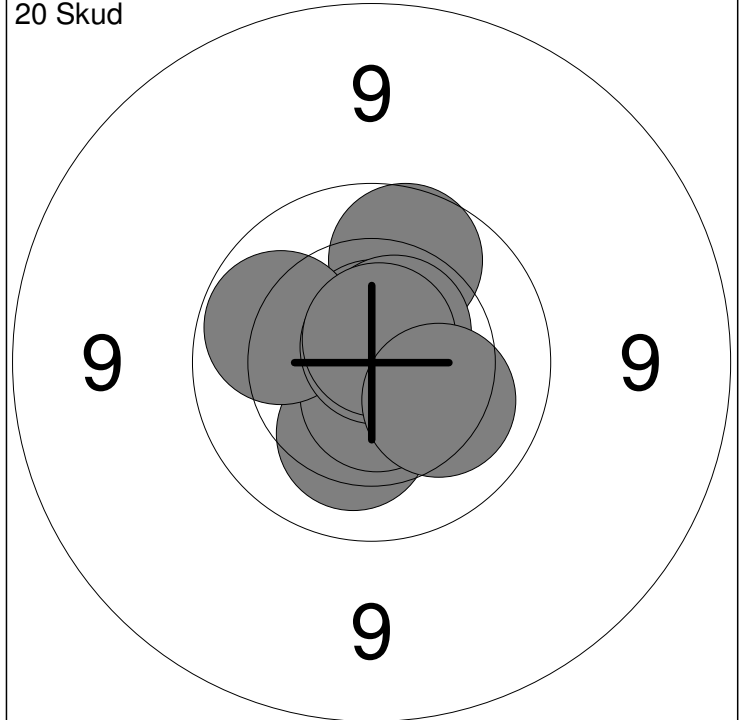
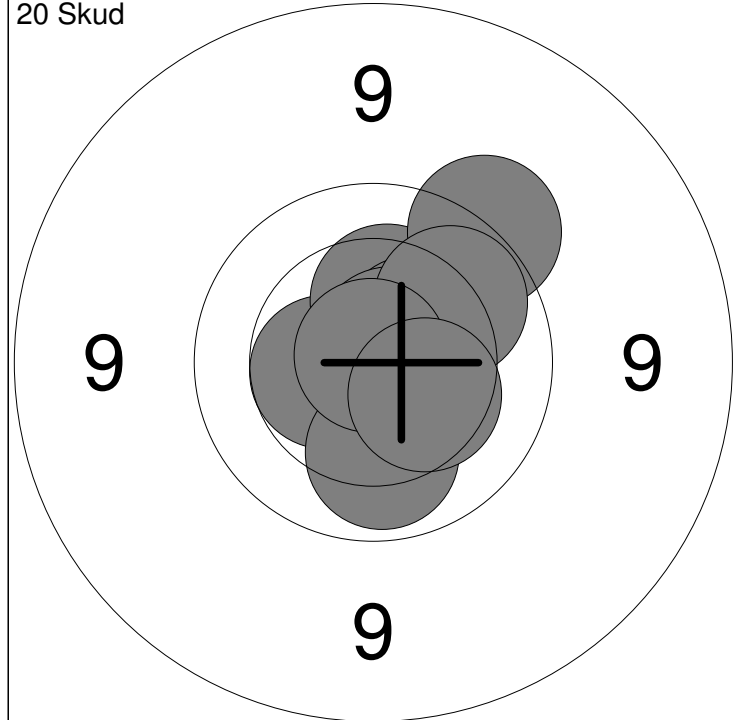
11:	9.8	↗
12:	10.3	←
13:	10.0	↗
14:	10.5	↗
15:	10.8x	↘
16:	10.0	↗
17:	10.6x	↘
18:	10.5x	↑
19:	10.2	↘
20:	10.3	↓

Serie	99
Total	198



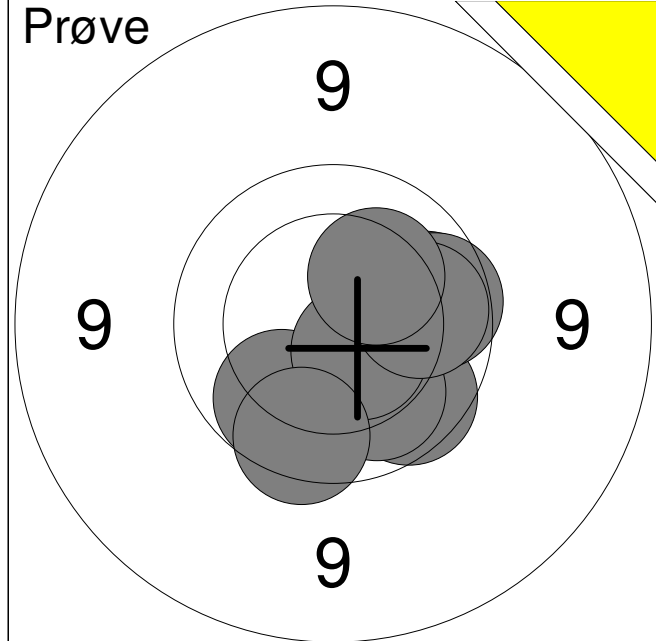
1: 9.8 ↑	6: 9.6 ↗	Serie 94
2: 9.9 ↑	7: 9.6 ↑	
3: 10.8x ↓	8: 10.3 ↓	Total 0
4: 10.1 ↙	9: 9.9 →	
5: 9.6 →	10: 10.0 ↑	

11: 10.3 ↘	Serie 39
12: 9.9 →	
13: 10.5 ↑	Total 0
14: 10.8x →	

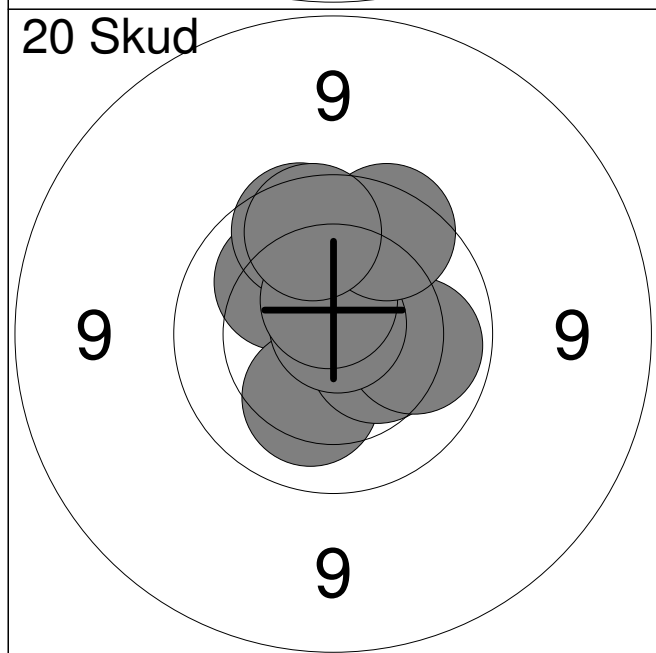


1: 10.5 ←	6: 10.7x ↗	Serie 99
2: 10.8x →	7: 10.1 ↓	
3: 10.3 ↑	8: 10.0 ↗	Total 99
4: 9.6 ↗	9: 10.9x ↑	
5: 10.4 ↗	10: 10.4 ↘	

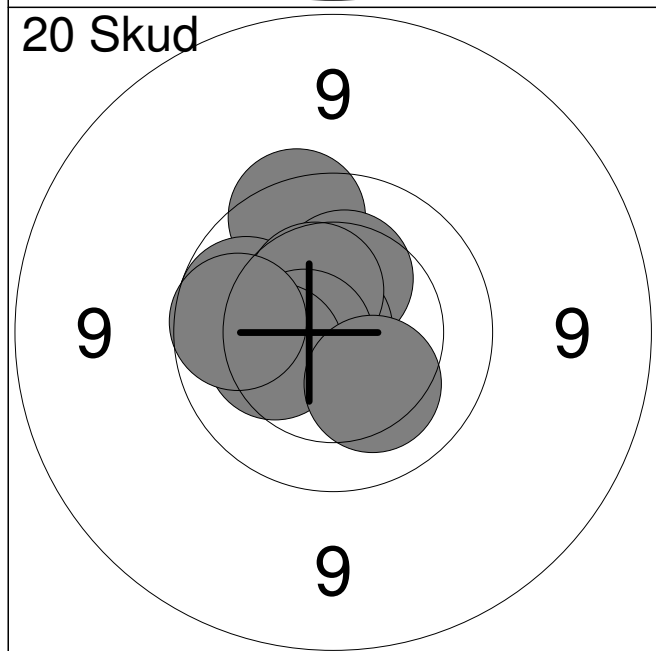
11: 10.5 ↘	16: 10.0 ←	Serie 99
12: 9.9 ↑	17: 10.8x ↑	
13: 10.7x ↑	18: 10.6x ↗	Total 198
14: 10.2 ↓	19: 10.7x ↑	
15: 10.6x ↓	20: 10.2 ↘	



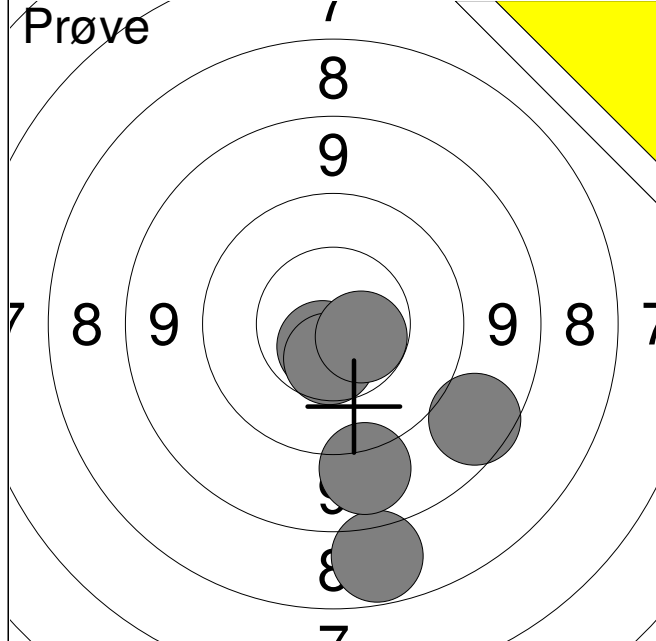
1:	10.0	↙
2:	9.9	↘
3:	10.1	↘
4:	10.5x	↘
5:	9.9	→
6:	9.9	→
7:	10.0	→
8:	9.8	↙
9:	10.2	↗
Serie		86
Total		0



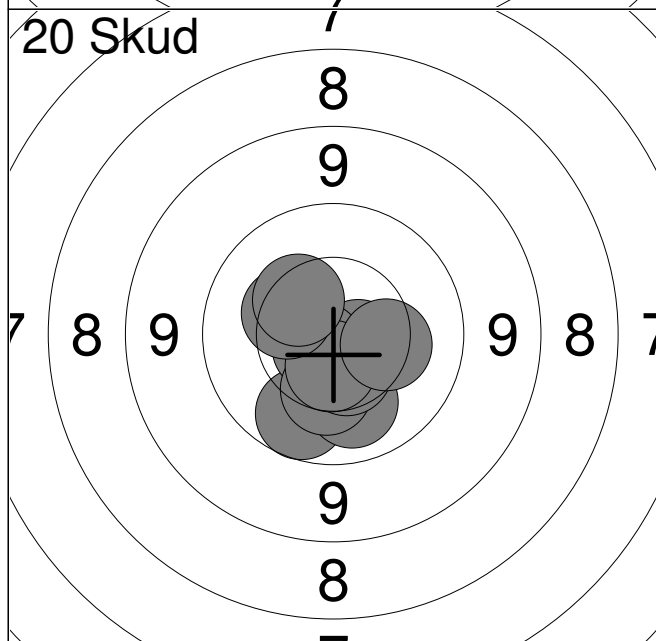
1:	10.2	↗
2:	10.1	↗
3:	10.2	↘
4:	9.8	↗
5:	10.4	↘
6:	10.0	→
7:	10.8x	↗
8:	10.6x	↗
9:	9.8	↗
10:	9.9	↗
Serie		97
Total		97



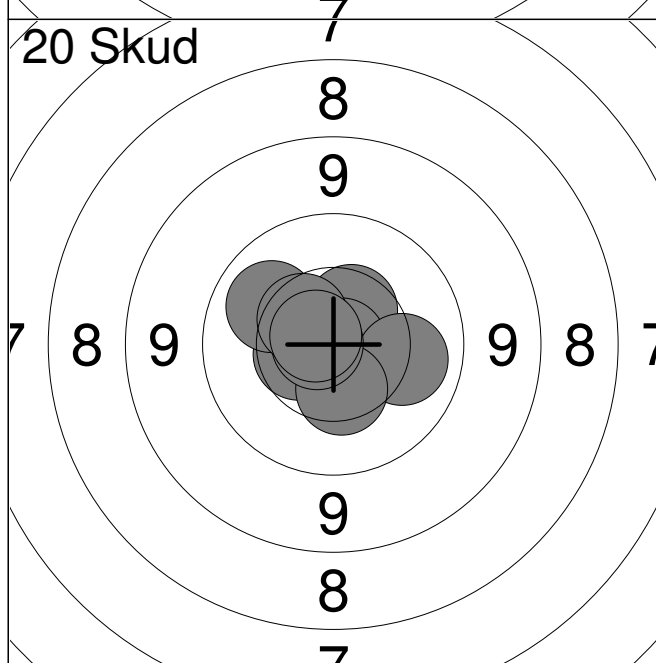
11:	9.8	↗
12:	10.7x	↗
13:	10.3	↗
14:	9.9	↖
15:	10.8x	↖
16:	10.4	↗
17:	10.6x	↖
18:	10.3	↖
19:	9.9	↖
20:	10.2	↘
Serie		97
Total		194



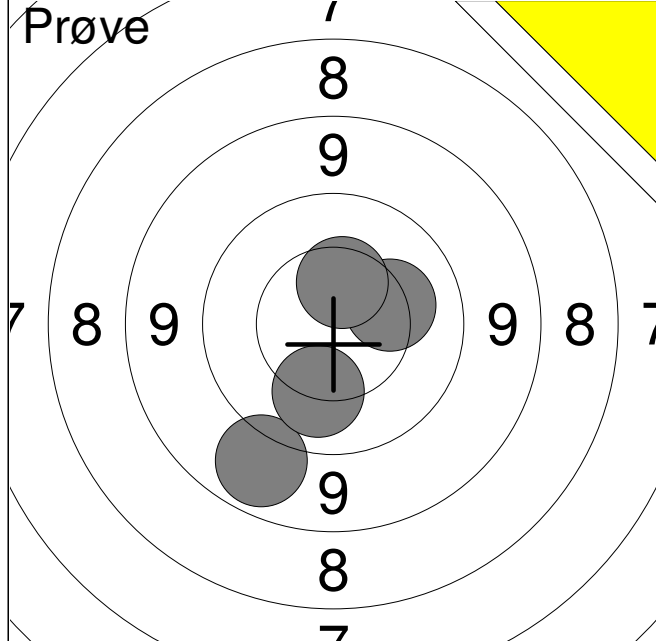
1:	8.0	↓
2:	9.1	↓
3:	8.8	↘
4:	10.6x	↓
5:	10.5	↓
6:	10.6x	↘
Serie		55
Total		0



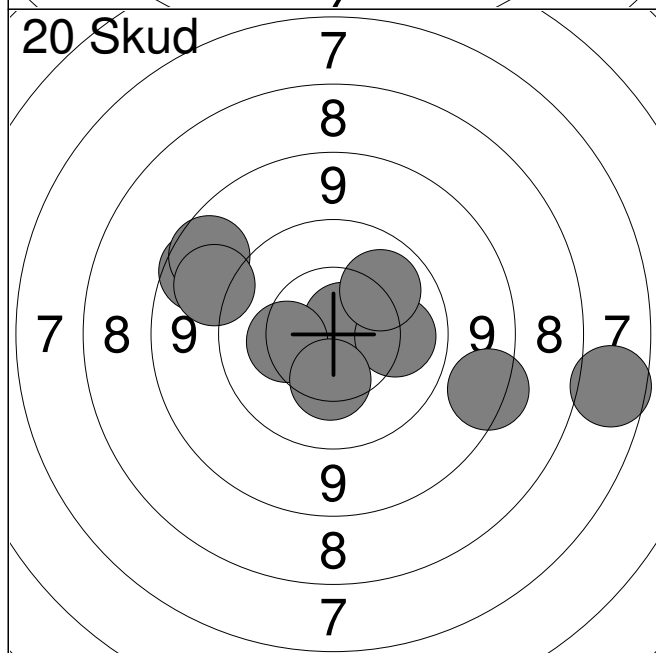
1:	9.9	↓
2:	10.6x	↘
3:	10.1	↓
4:	10.7x	↖
5:	10.3	↓
6:	10.5	↓
7:	10.6	↓
8:	10.3	↗
9:	10.4	↗
10:	10.3	↘
Serie		99
Total		99



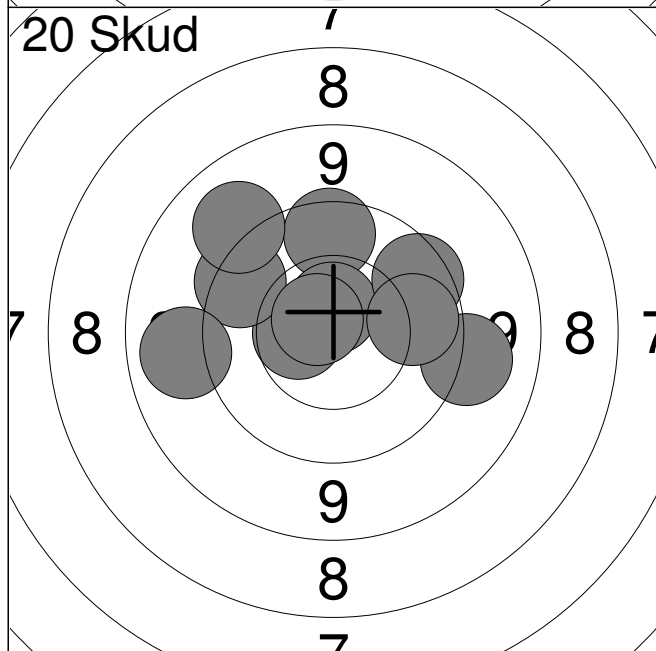
11:	10.5	↖
12:	10.6x	↓
13:	10.5	↗
14:	10.9x	→
15:	10.1	↘
16:	10.4	↓
17:	10.8x	↖
18:	10.1	↗
19:	10.5	↗
20:	10.7x	↖
Serie		100
Total		199



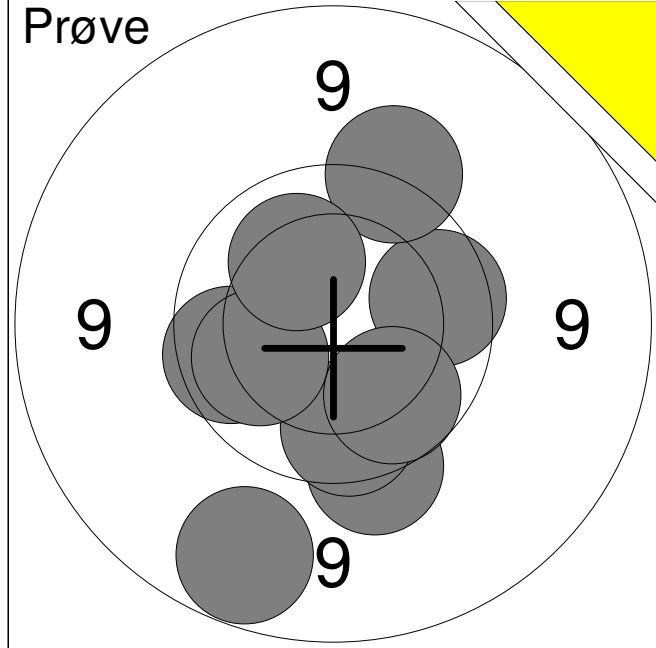
1:	9.0	↙
2:	10.1	↘
3:	10.2	→
4:	10.4	↑
Serie		39
Total		0



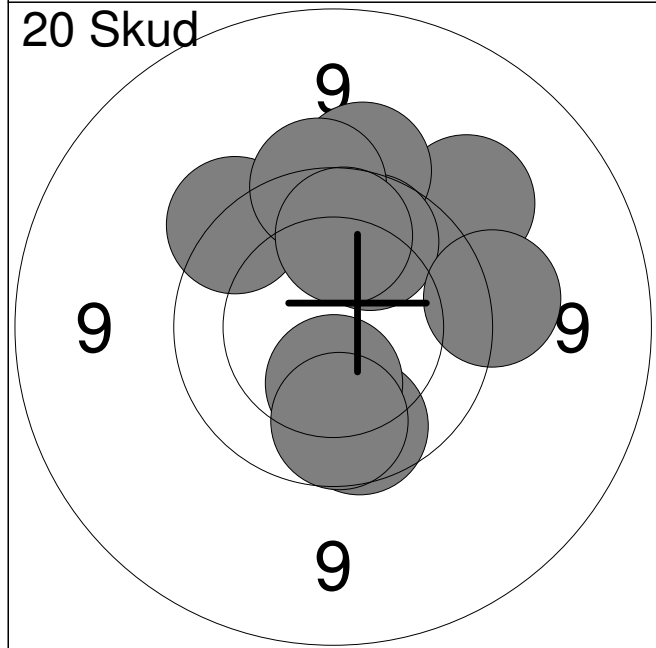
1:	8.9	↖
2:	10.7x	↗
3:	10.1	→
4:	8.9	↖
5:	8.6	↘
6:	10.1	↗
7:	10.3	↖
8:	10.3	↓
9:	9.1	↖
10:	6.9	→
Serie		89
Total		89



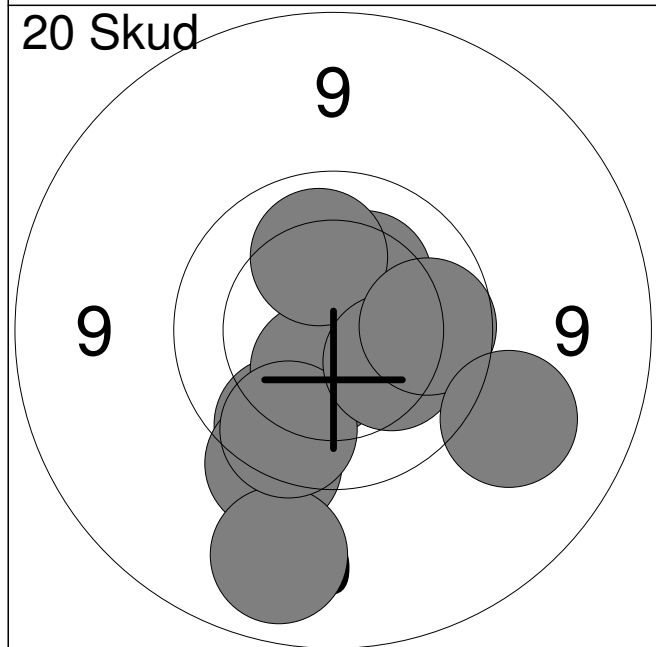
11:	10.5	↖
12:	9.7	↖
13:	9.8	↑
14:	9.3	→
15:	10.7x	↑
16:	9.1	↖
17:	9.8	↗
18:	10.7x	↗
19:	10.0	→
20:	9.2	↗
Serie		94
Total		183



1:	9.6	↓
2:	9.0	↓
3:	9.9	↓
4:	9.8	→
5:	9.5	↑
6:	9.9	←
7:	9.9	↓
8:	10.1	←
9:	10.2	↑
Serie	83	
Total	0	

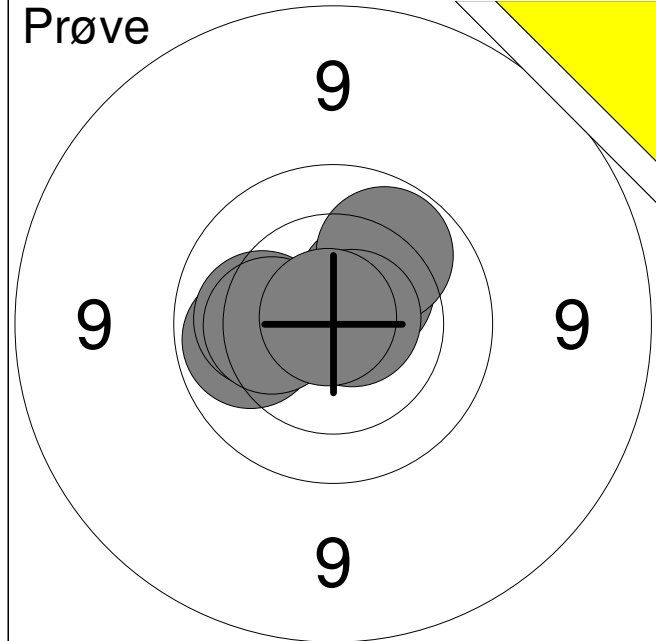


1:	9.9	↓
2:	9.4	↗
3:	9.5	↑
4:	10.3	↓
5:	9.9	↗
6:	9.6	↖
7:	9.6	↑
8:	9.5	→
9:	9.9	↓
10:	9.9	↑
Serie	91	
Total	91	

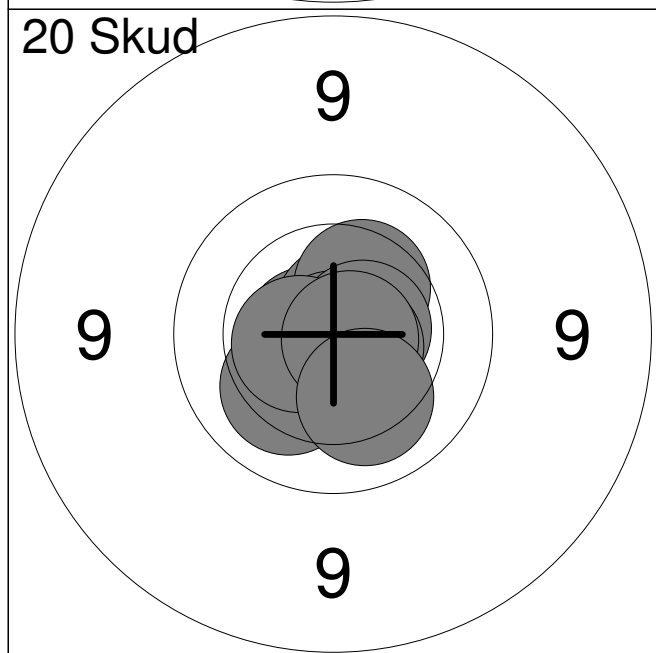


11:	10.3	↗
12:	9.8	↓
13:	9.6	↓
14:	9.1	↓
15:	10.5	↓
16:	9.8	↓
17:	10.1	↑
18:	10.2	↘
19:	9.9	→
20:	9.3	↘
Serie	94	
Total	185	

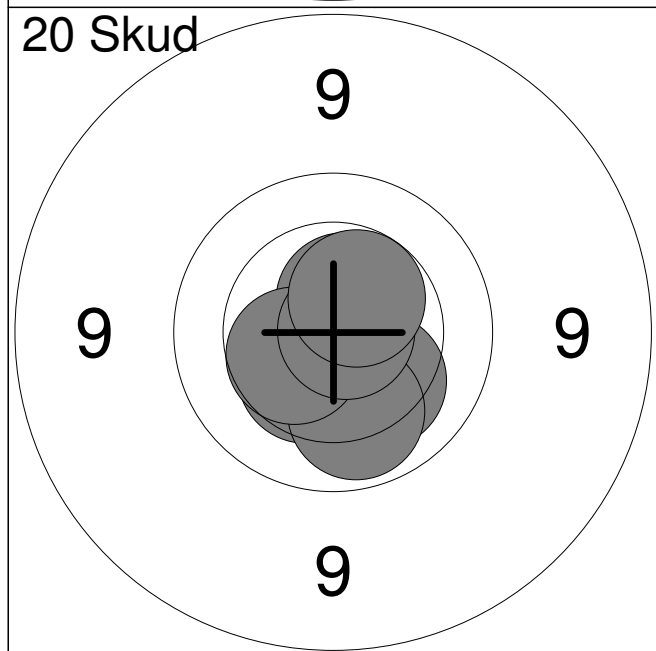
Hold	Skive	Nina Guldbæk Larsen		
10	9	Aalborg	Vodskov Skytteforening	MJ1
28.10.2017	15 meter riffelstævne 2017	Aalborg Skyttekreds		
Prøve		1:	10.1	↘
		2:	9.8	↘
		3:	10.1	↘
		4:	10.5	↘
		5:	10.5	↘
		6:	10.5	↗
		Serie	59	
Total	0			
20 Skud		1:	10.3	←
		2:	10.7x	↘
		3:	10.6x	←
		4:	10.9x	↗
		5:	10.8x	↘
		6:	10.7x	→
		7:	10.4	↗
		8:	10.6	↘
		9:	10.7x	↗
		10:	9.8	↘
		Serie	99	
Total	99			
20 Skud		11:	10.4	↘
		12:	10.8x	←
		13:	10.7x	↘
		14:	10.9x	↗
		15:	10.4	→
		16:	10.6x	←
		17:	10.5	→
		18:	10.4	↗
		19:	10.3	↗
		20:	10.8x	↗
		Serie	100	
Total	199			



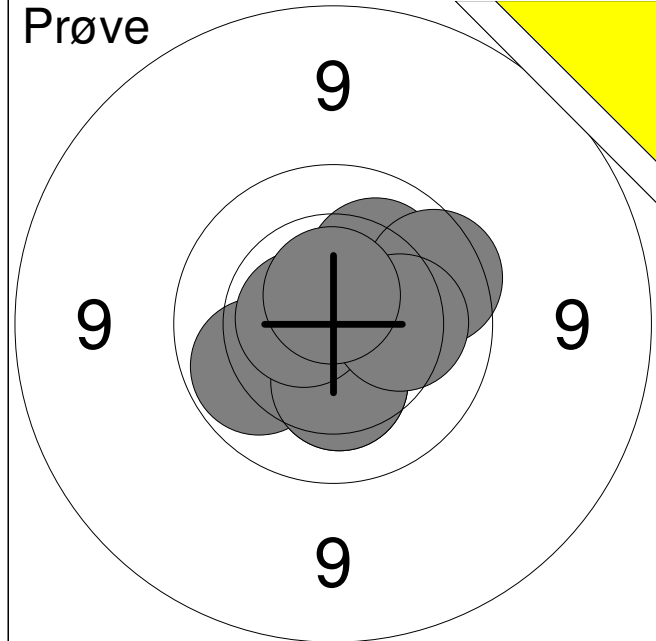
1:	10.4	↗
2:	10.0	↗
3:	10.0	←
4:	10.2	←
5:	10.7x	→
6:	10.3	←
7:	10.9x	↗
Serie		70
Total		0



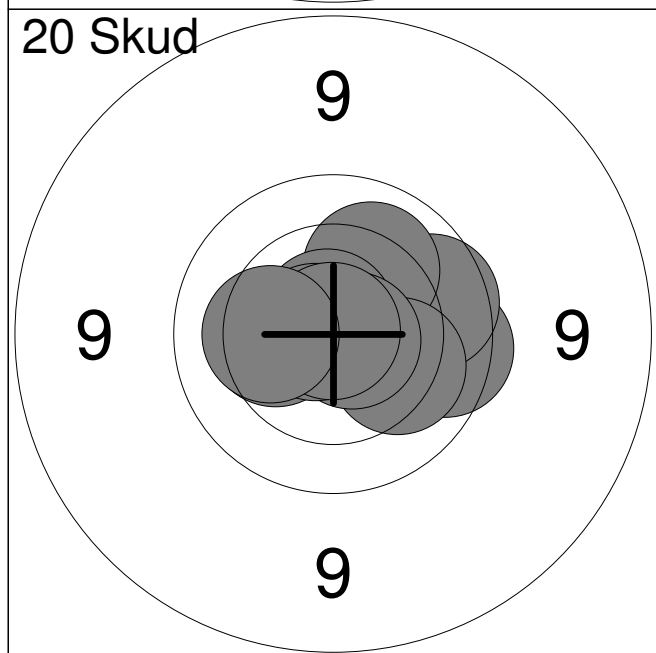
1:	10.7x	←
2:	10.2	↙
3:	10.7x	↗
4:	10.3	↗
5:	10.9x	↓
6:	10.6x	→
7:	10.7x	↘
8:	10.6x	←
9:	10.8x	→
10:	10.2	↓
Serie		100
Total		100



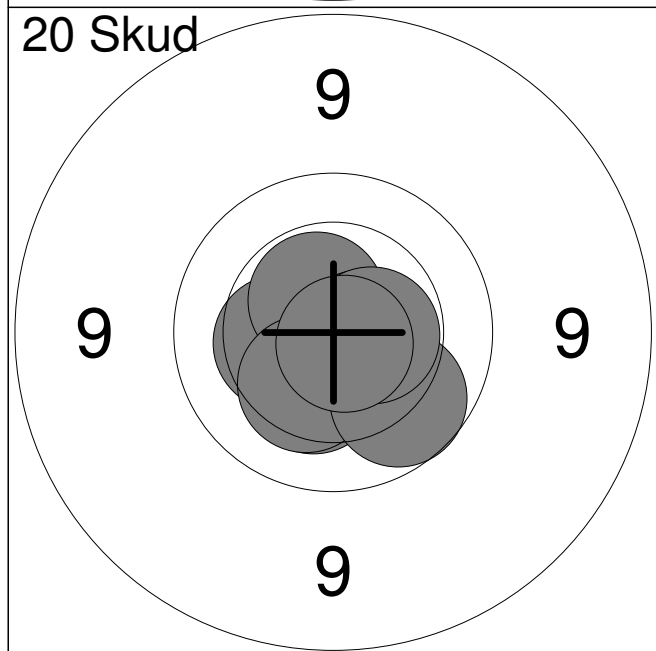
11:	10.6x	↓
12:	10.6x	↙
13:	10.4	↙
14:	10.5x	↓
15:	10.2	↘
16:	10.6x	↗
17:	10.0	↓
18:	10.5	←
19:	10.8x	→
20:	10.5x	↗
Serie		100
Total		200



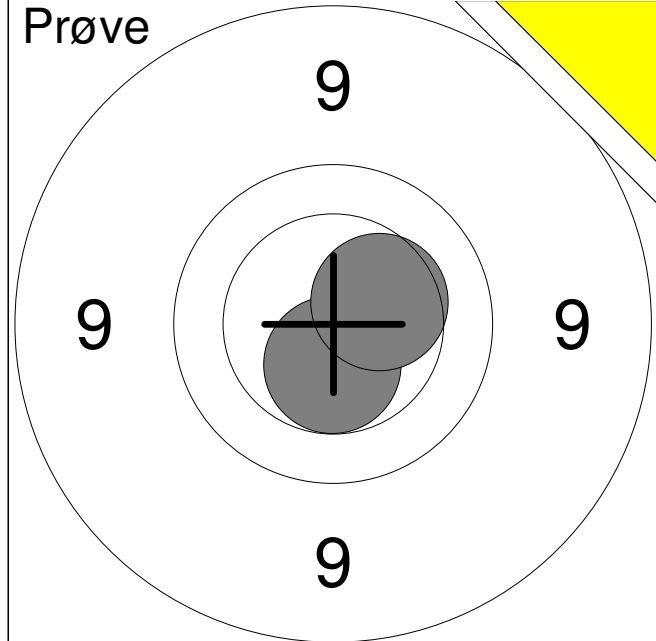
1:	10.3	↓
2:	10.7x	↖
3:	10.0	↖
4:	10.7x	↗
5:	10.3	↓
6:	10.6x	↖
7:	10.2	↗
8:	9.8	↗
9:	10.2	→
10:	10.6x	↑
Serie		99
Total		0



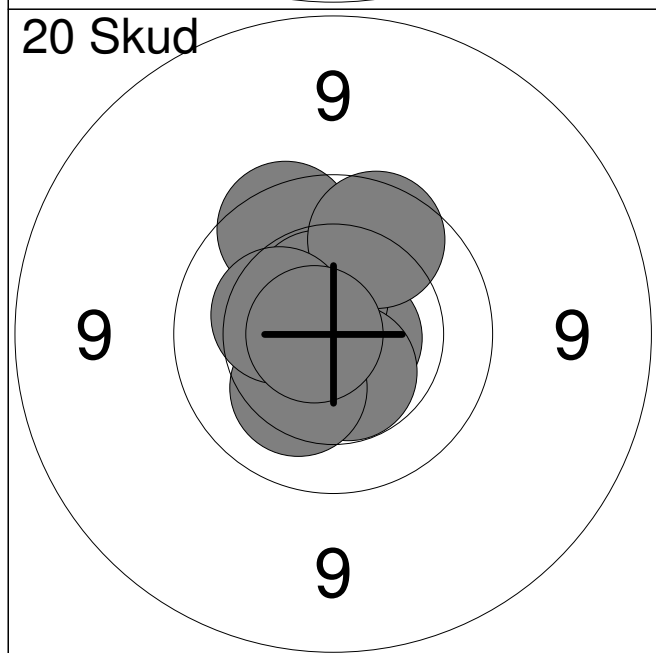
1:	9.8	→
2:	9.9	→
3:	10.1	↗
4:	10.8x	↗
5:	10.2	↘
6:	10.7x	→
7:	10.3	↖
8:	10.8x	↖
9:	10.9x	↗
10:	10.3	↖
Serie		98
Total		98



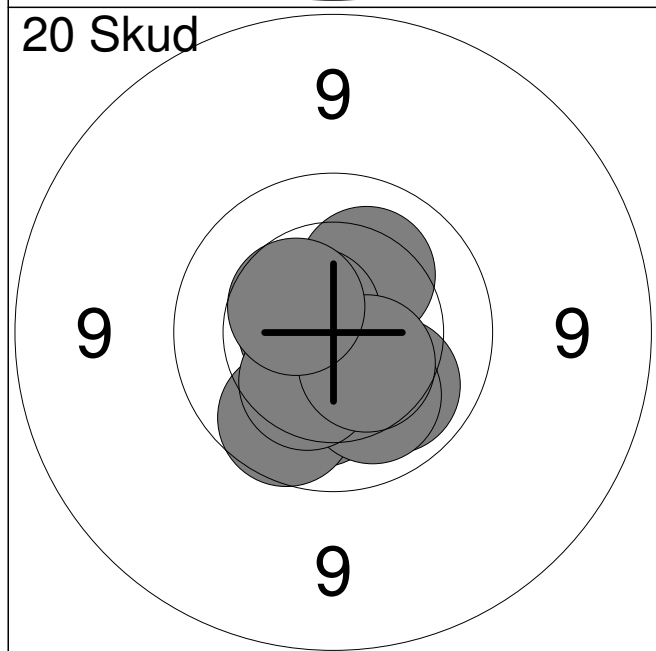
11:	10.3	↓
12:	10.6x	→
13:	10.4	↖
14:	10.6x	↗
15:	10.8x	↘
16:	10.6x	→
17:	10.3	↓
18:	9.9	↘
19:	10.5x	→
20:	10.8x	↘
Serie		99
Total		197



1:	10.5x	↓
2:	10.4	→
Serie		20
Total		0

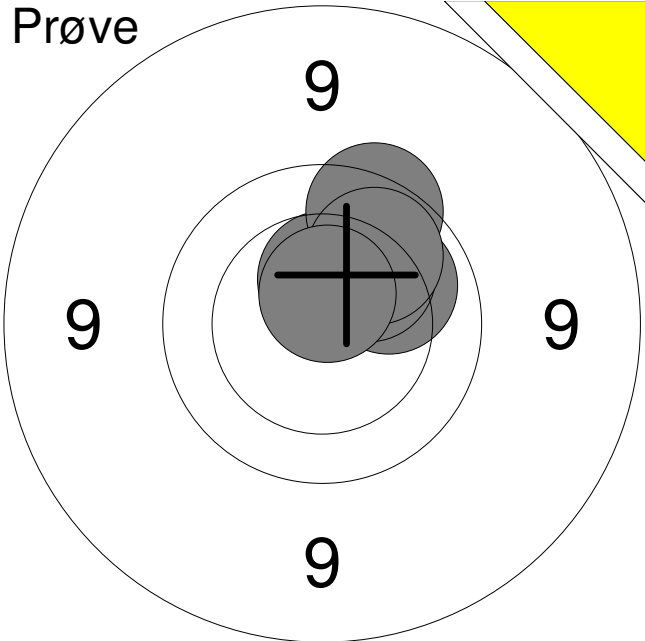


1:	9.8	↗
2:	10.7x	←
3:	10.7x	→
4:	10.5x	↗
5:	10.5x	↙
6:	10.5x	↓
7:	10.2	↙
8:	9.9	↗
9:	10.3	←
10:	10.7x	←
Serie		98
Total		98



11:	10.1	↘
12:	10.2	↓
13:	10.7x	←
14:	9.9	↘
15:	10.2	↗
16:	10.7x	↗
17:	10.1	↘
18:	10.3	↘
19:	10.4	↘
20:	10.5	↗
Serie		99
Total		197

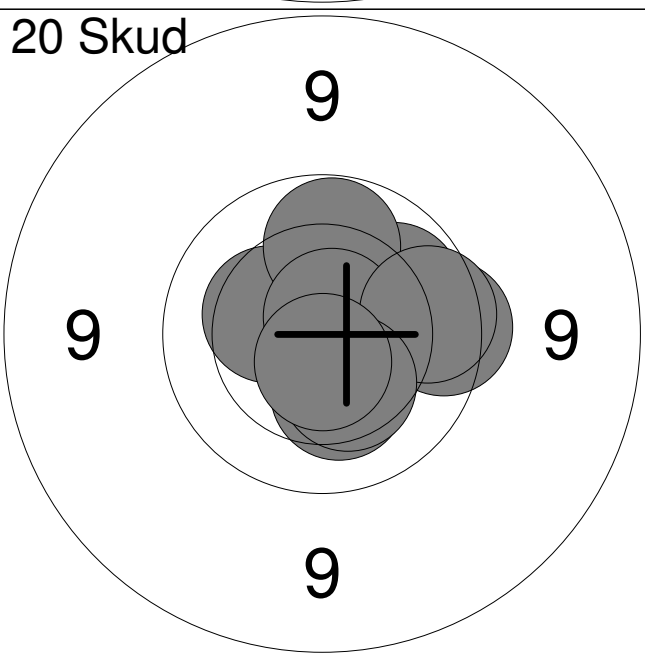
Prøve



1:	10.5	↑
2:	10.1	↗
3:	10.2	↗
4:	9.7	↗
5:	10.0	↗
6:	10.6x	↑

Serie	59
Total	0

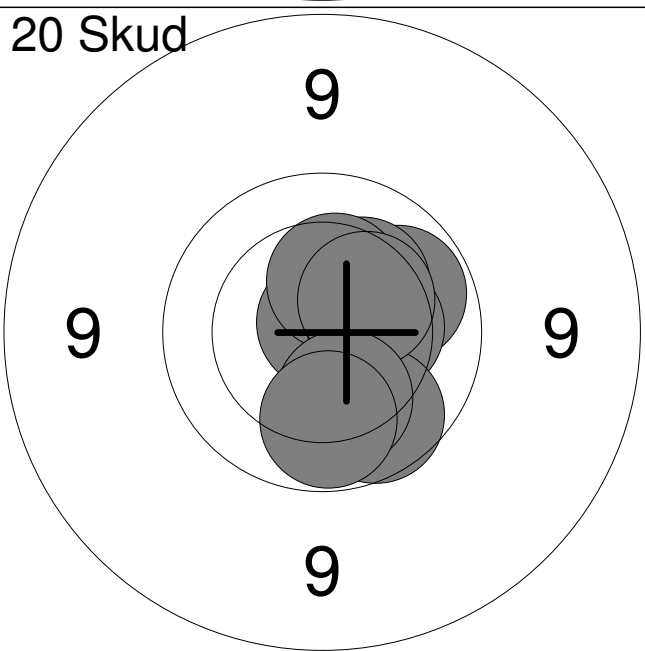
20 Skud



1:	10.0	↗
2:	9.8	→
3:	10.3	↖
4:	10.0	↑
5:	10.7x	→
6:	10.3	↓
7:	10.7x	↗
8:	9.8	→
9:	10.3	↓
10:	10.6x	↓

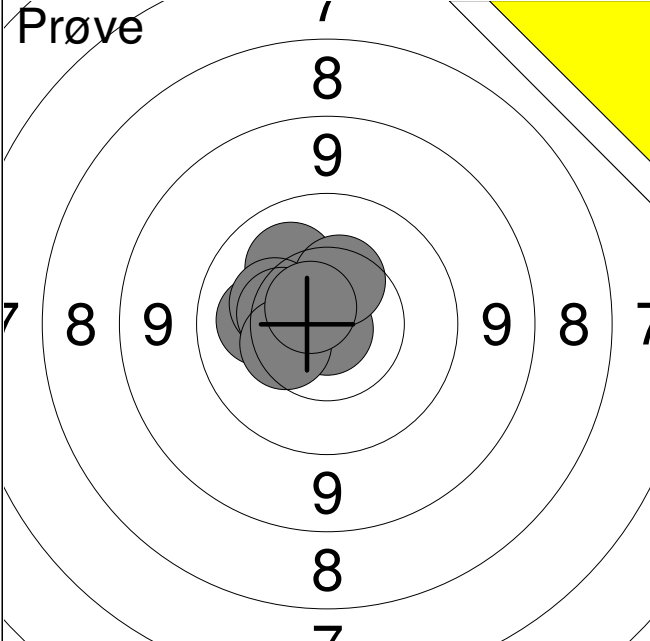
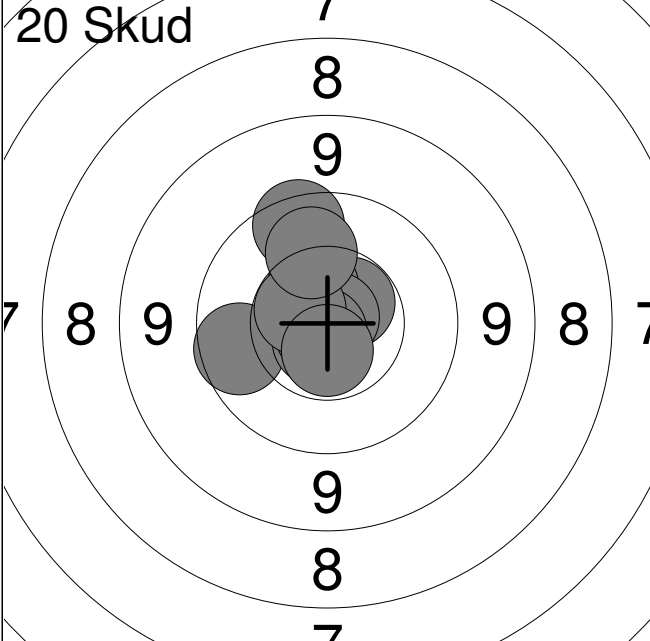
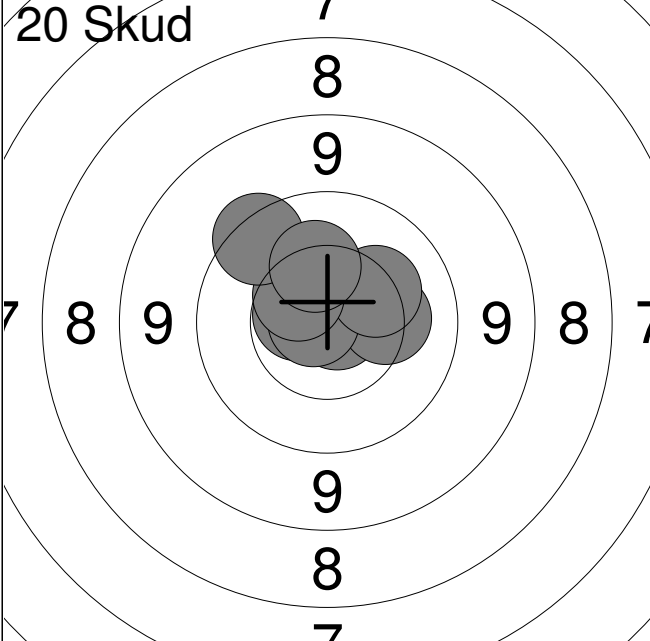
Serie	98
Total	98

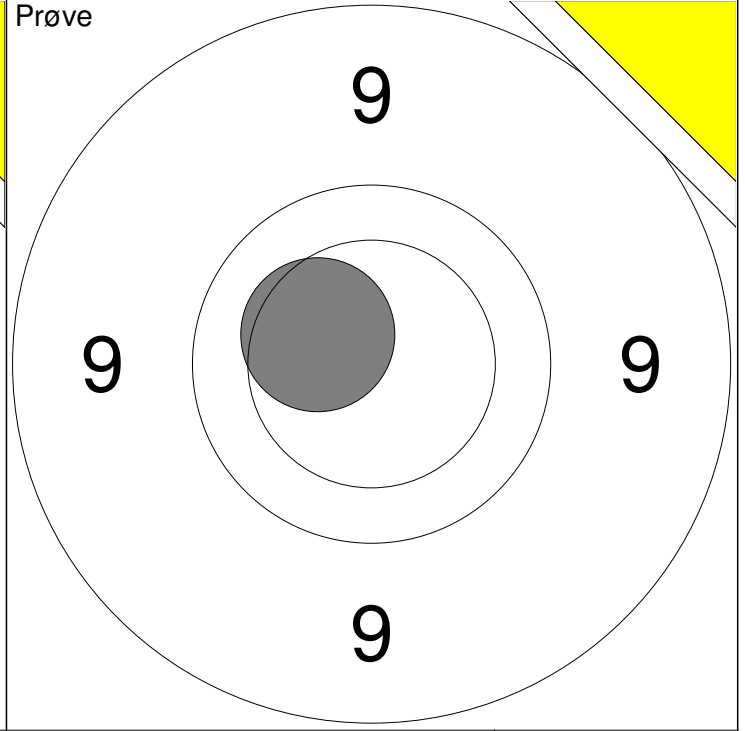
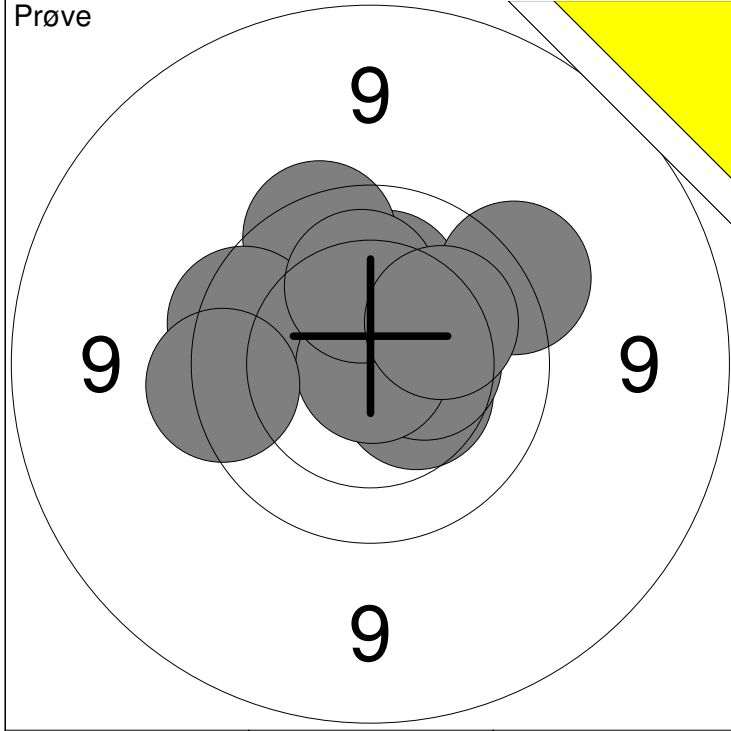
20 Skud



11:	10.6x	↗
12:	10.8x	↑
13:	10.0	↗
14:	10.3	↗
15:	10.4	↑
16:	10.4	→
17:	9.9	↓
18:	10.3	↗
19:	10.2	↓
20:	10.0	↓

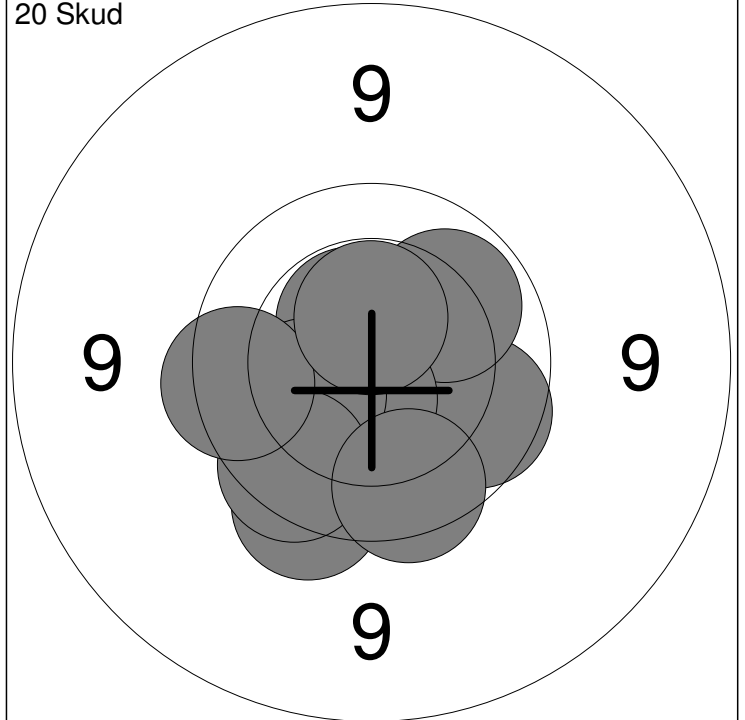
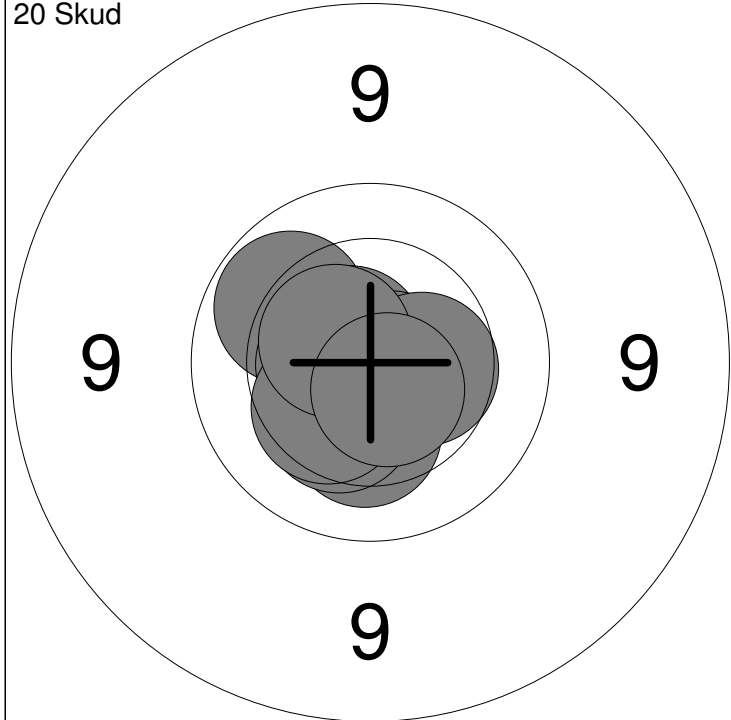
Serie	99
Total	197

Hold 11	Skive 2	Tobias Holm Hansen																																
Aalborg		Vodskov Skytteforening		BK1																														
28.10.2017		15 meter riffelstævne 2017		Aalborg Skyttekreds																														
Prøve		<table border="0"> <tr><td>1:</td><td>10.2</td><td>←</td></tr> <tr><td>2:</td><td>10.2</td><td>↗</td></tr> <tr><td>3:</td><td>10.4</td><td>←</td></tr> <tr><td>4:</td><td>10.9x</td><td>↓</td></tr> <tr><td>5:</td><td>10.4</td><td>↗</td></tr> <tr><td>6:</td><td>10.3</td><td>↖</td></tr> <tr><td>7:</td><td>10.4</td><td>←</td></tr> <tr><td>8:</td><td>10.4</td><td>←</td></tr> <tr><td>9:</td><td>10.7x</td><td>↗</td></tr> </table>			1:	10.2	←	2:	10.2	↗	3:	10.4	←	4:	10.9x	↓	5:	10.4	↗	6:	10.3	↖	7:	10.4	←	8:	10.4	←	9:	10.7x	↗			
1:	10.2	←																																
2:	10.2	↗																																
3:	10.4	←																																
4:	10.9x	↓																																
5:	10.4	↗																																
6:	10.3	↖																																
7:	10.4	←																																
8:	10.4	←																																
9:	10.7x	↗																																
		Serie 90																																
		Total 0																																
20 Skud		<table border="0"> <tr><td>1:</td><td>10.6x</td><td>↗</td></tr> <tr><td>2:</td><td>9.7</td><td>↗</td></tr> <tr><td>3:</td><td>9.9</td><td>←</td></tr> <tr><td>4:</td><td>10.7x</td><td>↓</td></tr> <tr><td>5:</td><td>10.5</td><td>↗</td></tr> <tr><td>6:</td><td>10.8x</td><td>↗</td></tr> <tr><td>7:</td><td>10.8x</td><td>↓</td></tr> <tr><td>8:</td><td>10.6x</td><td>↖</td></tr> <tr><td>9:</td><td>10.6x</td><td>↓</td></tr> <tr><td>10:</td><td>10.1</td><td>↗</td></tr> </table>			1:	10.6x	↗	2:	9.7	↗	3:	9.9	←	4:	10.7x	↓	5:	10.5	↗	6:	10.8x	↗	7:	10.8x	↓	8:	10.6x	↖	9:	10.6x	↓	10:	10.1	↗
1:	10.6x	↗																																
2:	9.7	↗																																
3:	9.9	←																																
4:	10.7x	↓																																
5:	10.5	↗																																
6:	10.8x	↗																																
7:	10.8x	↓																																
8:	10.6x	↖																																
9:	10.6x	↓																																
10:	10.1	↗																																
		Serie 98																																
		Total 98																																
20 Skud		<table border="0"> <tr><td>11:</td><td>10.6x</td><td>↗</td></tr> <tr><td>12:</td><td>10.6x</td><td>←</td></tr> <tr><td>13:</td><td>10.8x</td><td>→</td></tr> <tr><td>14:</td><td>10.6x</td><td>↗</td></tr> <tr><td>15:</td><td>10.3</td><td>→</td></tr> <tr><td>16:</td><td>10.8x</td><td>←</td></tr> <tr><td>17:</td><td>10.3</td><td>↗</td></tr> <tr><td>18:</td><td>10.5</td><td>↗</td></tr> <tr><td>19:</td><td>9.6</td><td>↗</td></tr> <tr><td>20:</td><td>10.3</td><td>↗</td></tr> </table>			11:	10.6x	↗	12:	10.6x	←	13:	10.8x	→	14:	10.6x	↗	15:	10.3	→	16:	10.8x	←	17:	10.3	↗	18:	10.5	↗	19:	9.6	↗	20:	10.3	↗
11:	10.6x	↗																																
12:	10.6x	←																																
13:	10.8x	→																																
14:	10.6x	↗																																
15:	10.3	→																																
16:	10.8x	←																																
17:	10.3	↗																																
18:	10.5	↗																																
19:	9.6	↗																																
20:	10.3	↗																																
		Serie 99																																
		Total 197																																



1: 10.2 ↑	6: 9.8 ←	Serie	96
2: 9.6 ↗	7: 10.9x ↘		
3: 9.8 ↑	8: 10.2 ↑	Total	0
4: 10.4 ↘	9: 10.1 ↗		
5: 10.4 →	10: 9.7 ←		

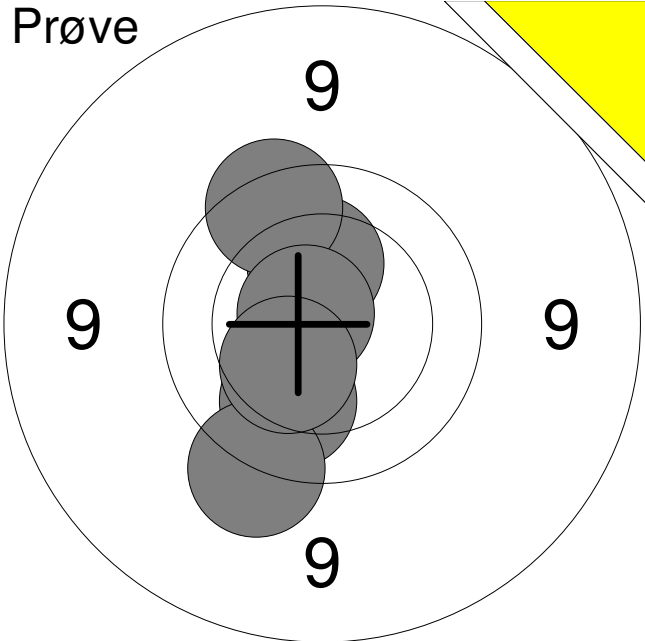
11: 10.4 ↖	Serie	10
	Total	0



1: 10.0 ↖	6: 10.4 ↘	Serie	100
2: 10.7x ↗	7: 10.8x →		
3: 10.3 ↓	8: 10.4 →	Total	100
4: 10.6x ←	9: 10.5x ↖		
5: 10.3 ↙	10: 10.6x ↘		

11: 10.5x ↖	16: 10.3 ←	Serie	95
12: 9.7 ↓	17: 9.8 ↘		
13: 9.9 →	18: 9.8 ←	Total	195
14: 10.0 ↗	19: 9.8 ↓		
15: 10.6x ↙	20: 10.5x ↑		

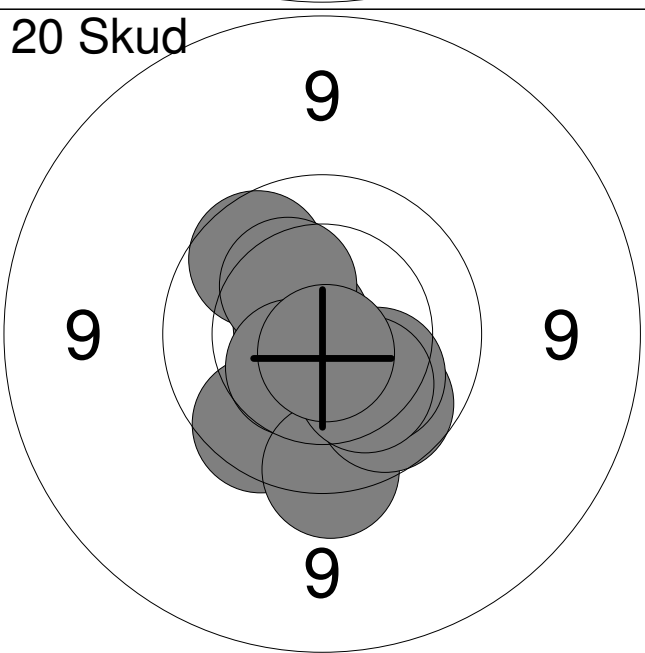
Prøve



1:	10.3	↑
2:	9.7	↑
3:	10.7x	↗
4:	10.0	↓
5:	9.5	↓
6:	10.4	↘

Serie	58
Total	0

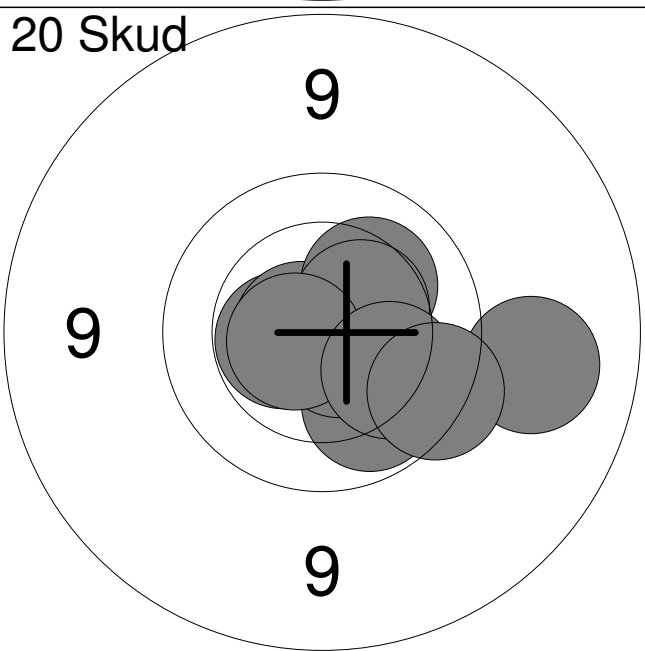
20 Skud



1:	9.9	↗
2:	9.8	↓
3:	10.7x	↗
4:	10.3	↗
5:	10.5	↓
6:	9.7	↓
7:	9.9	↓
8:	10.2	↓
9:	10.2	↓
10:	10.7x	↓

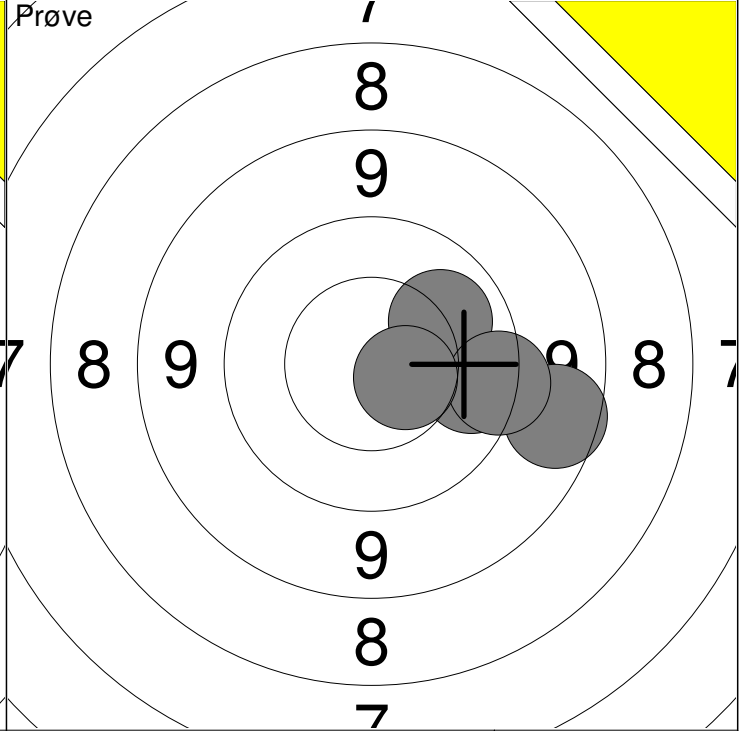
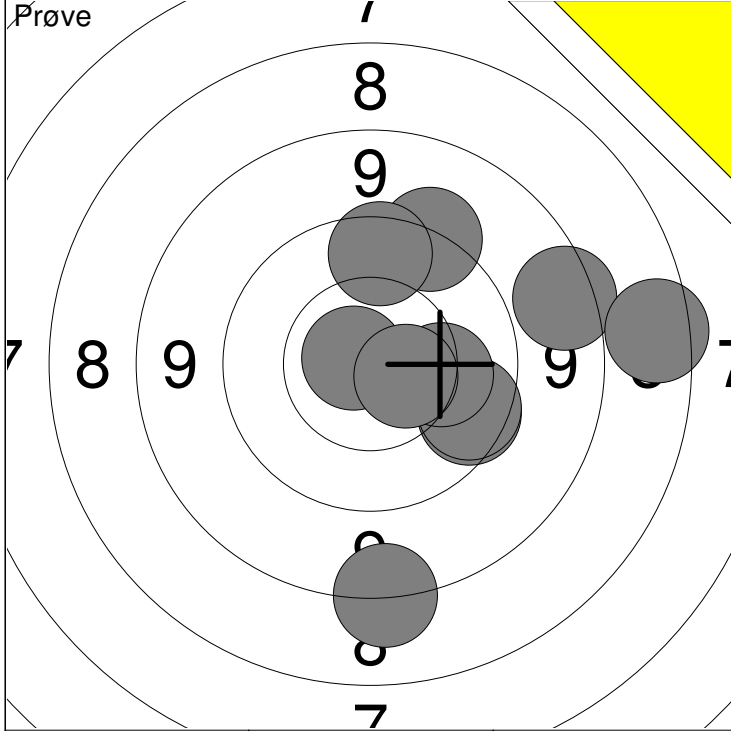
Serie	96
Total	96

20 Skud



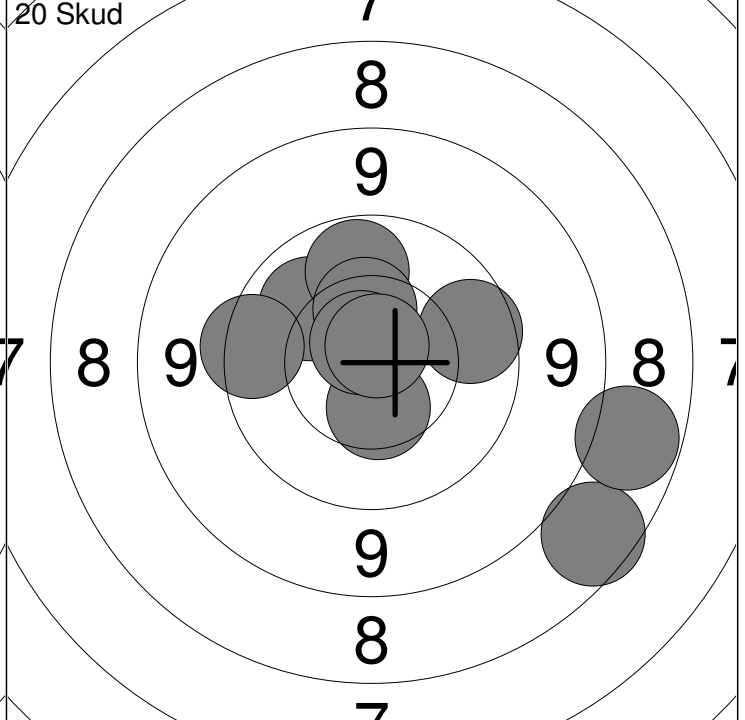
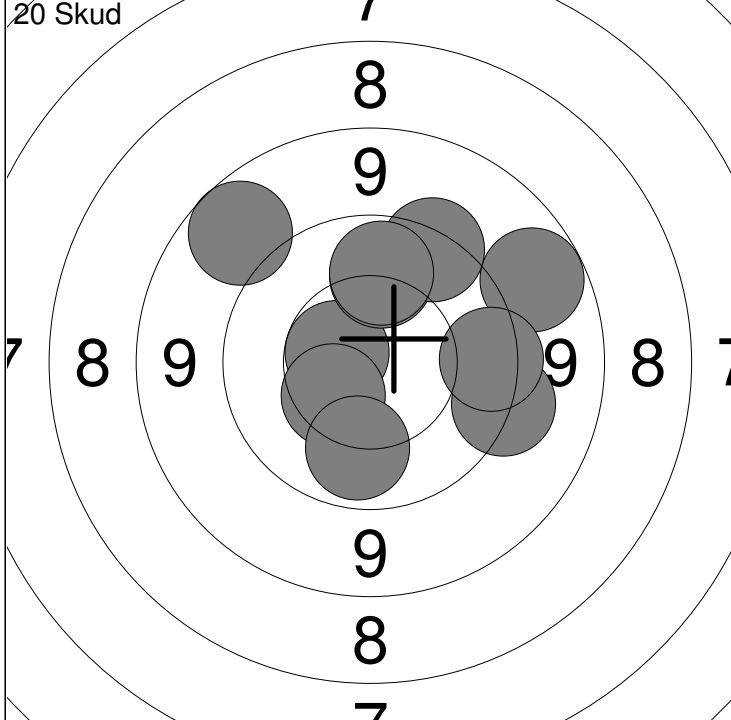
11:	9.2	→
12:	10.0	↓
13:	10.7x	↓
14:	10.5x	←
15:	10.7x	←
16:	10.2	↗
17:	10.4	↗
18:	10.6x	←
19:	10.1	↓
20:	9.7	↓

Serie	98
Total	194



1: 8.4 ↓	6: 9.5 ↗	Serie	89
2: 9.8 ↘	7: 7.7 →		
3: 10.8x ↙	8: 9.8 ↑	Total	0
4: 8.7 →	9: 10.2 →		
5: 9.8 ↘	10: 10.6 ↘		

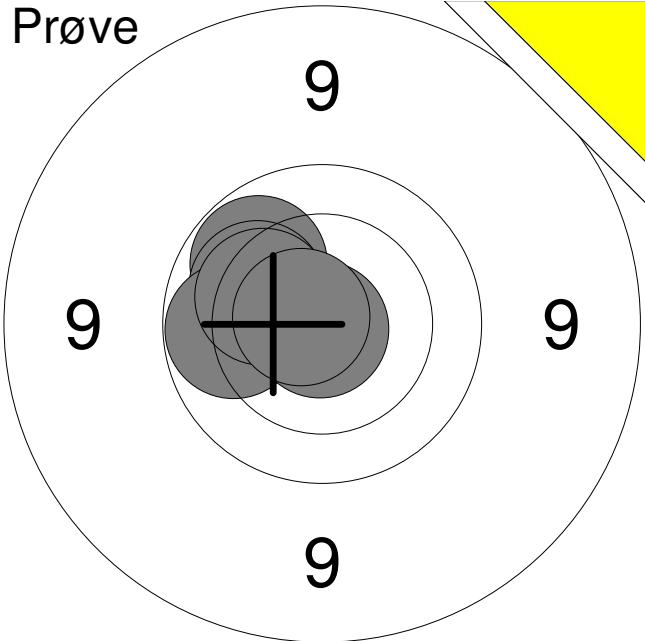
11: 9.9 →	Serie	46
12: 10.1 ↗		
13: 8.8 →	Total	0
14: 9.6 →		
15: 10.6 ↘		



1: 9.4 →	6: 9.6 ↗	Serie	94
2: 8.9 ↗	7: 10.0 ↑		
3: 9.0 ↗	8: 9.7 →	Total	94
4: 10.6 ↙	9: 10.4 ↙		
5: 10.0 ↑	10: 10.0 ↓		

11: 10.1 ↙	16: 9.7 ↙	Serie	93
12: 10.0 ↑	17: 7.8 ↘		
13: 10.5 ↓	18: 9.8 →	Total	187
14: 10.4 ↑	19: 10.8x ↑		
15: 10.7x ↗	20: 8.0 →		

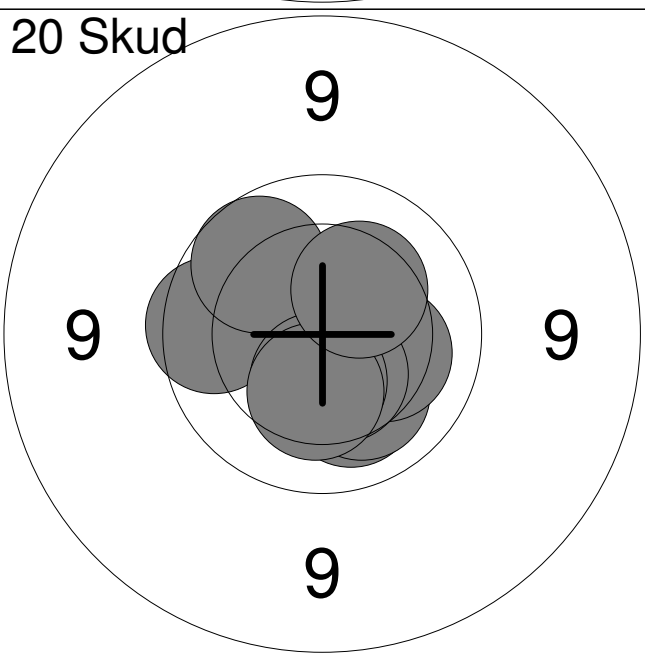
Prøve



1:	10.0	↗
2:	10.1	↗
3:	10.0	↖
4:	10.9x	↘
5:	10.2	↗
6:	10.7x	↖

Serie	60
Total	0

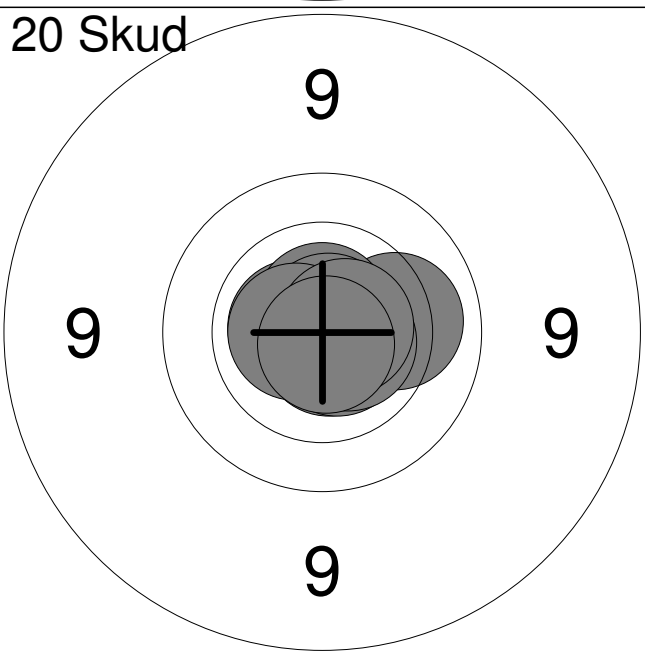
20 Skud



1:	10.2	↘
2:	10.2	↘
3:	10.9x	↘
4:	10.2	↗
5:	9.8	↖
6:	9.9	↗
7:	10.5	↘
8:	10.4	↘
9:	10.3	↘
10:	10.3	↗

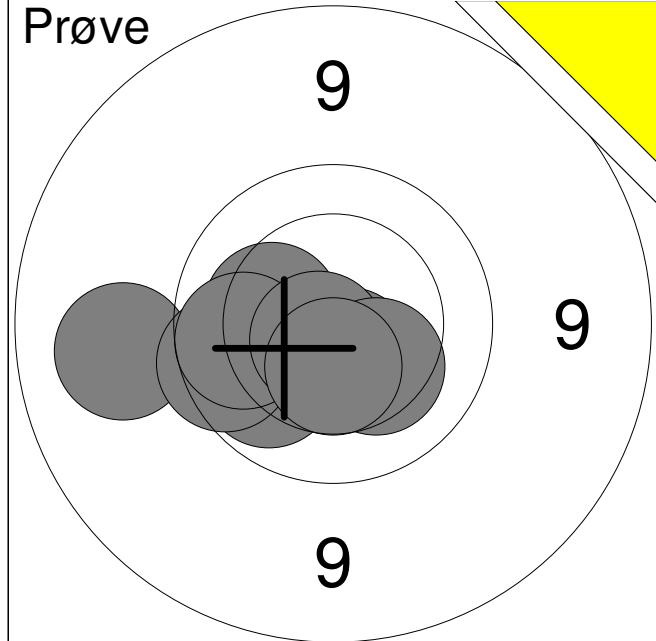
Serie	98
Total	98

20 Skud

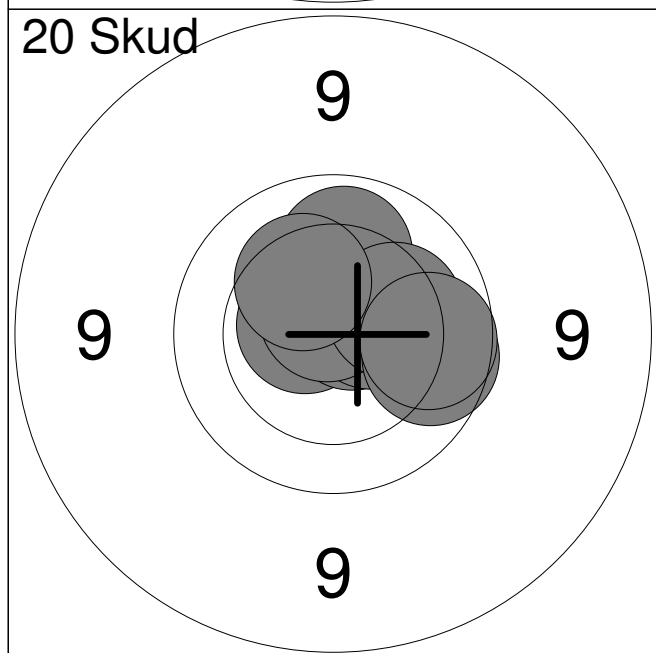


11:	10.1	→
12:	10.8x	↘
13:	10.7x	↘
14:	10.7x	↖
15:	10.7x	↑
16:	10.8x	↗
17:	10.6x	↘
18:	10.7x	↖
19:	10.7x	→
20:	10.8x	↘

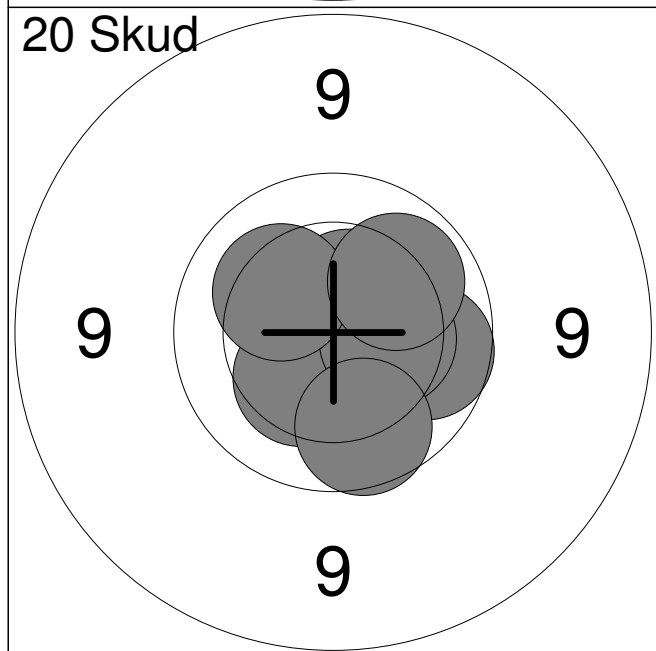
Serie	100
Total	198



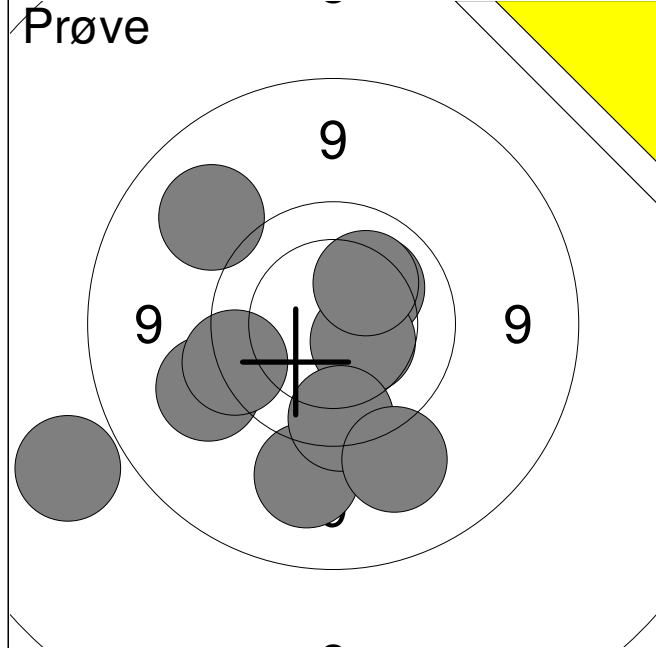
1:	9.2	←
2:	10.3	←
3:	10.0	↙
4:	10.6x	↓
5:	9.8	←
6:	9.9	←
7:	10.7x	↙
8:	10.3	↘
9:	10.5	↓
Serie		87
Total		0



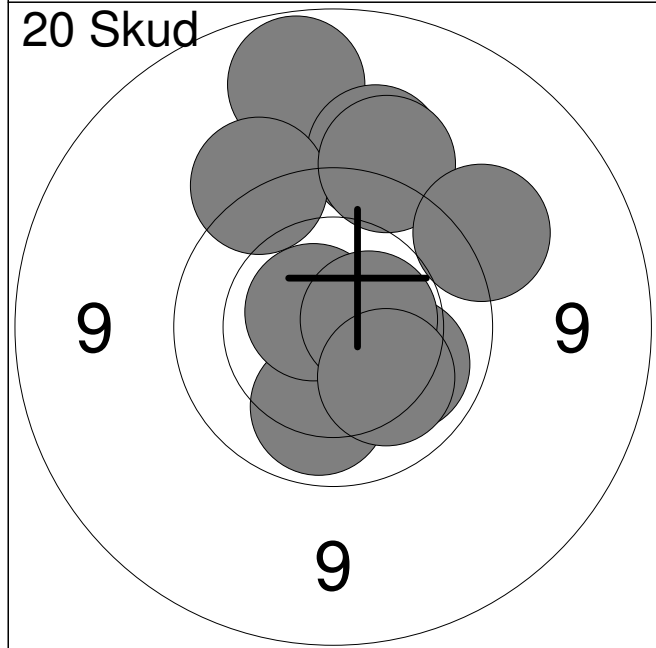
1:	10.6x	←
2:	10.7x	↗
3:	10.6x	↑
4:	10.5x	→
5:	10.7x	↑
6:	10.1	↑
7:	10.2	→
8:	10.3	↗
9:	9.9	→
10:	9.9	→
Serie		98
Total		98



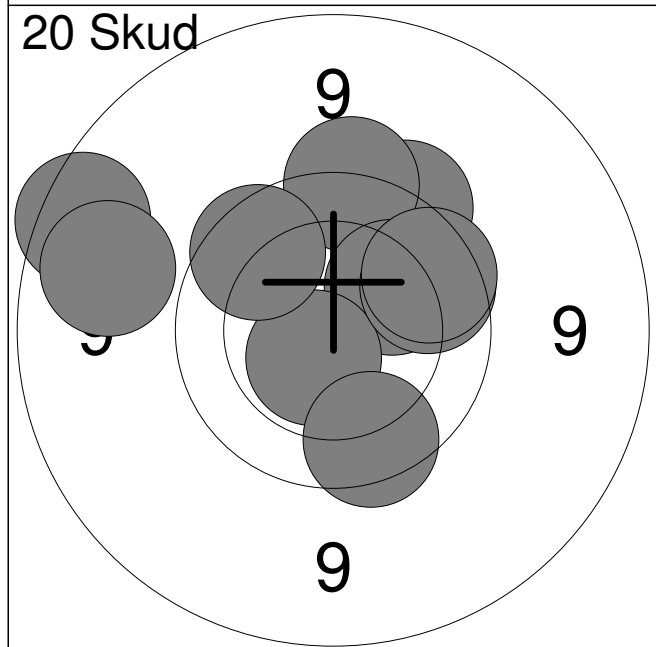
11:	10.5x	↗
12:	10.8x	←
13:	10.5x	↓
14:	10.8x	↓
15:	10.3	↙
16:	9.9	→
17:	10.3	→
18:	9.9	↓
19:	10.2	↗
20:	10.1	↗
Serie		98
Total		196



1:	10.2	↗
2:	10.5	↘
3:	10.2	↗
4:	9.3	↓
5:	8.4	↙
6:	9.4	↙
7:	9.2	↗
8:	9.7	↓
9:	9.3	↓
10:	9.7	↙
Serie		92
Total		0

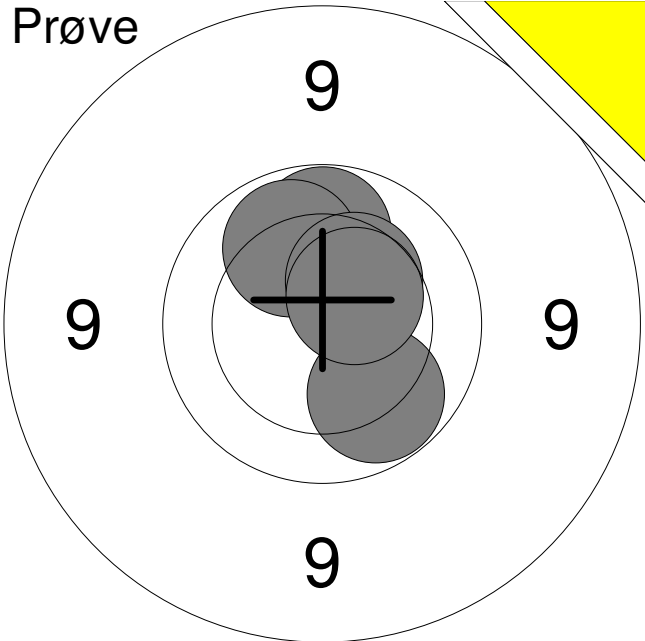


1:	10.1	↘
2:	9.0	↑
3:	9.4	↑
4:	10.1	↓
5:	9.5	↗
6:	9.4	↑
7:	10.7x	↗
8:	10.5x	→
9:	10.1	↘
10:	9.4	↗
Serie		95
Total		95



11:	9.6	↗
12:	9.6	↑
13:	10.1	↗
14:	10.6x	↓
15:	8.8	↙
16:	9.8	↓
17:	9.9	↗
18:	9.8	↗
19:	9.0	↙
20:	9.8	↗
Serie		91
Total		186

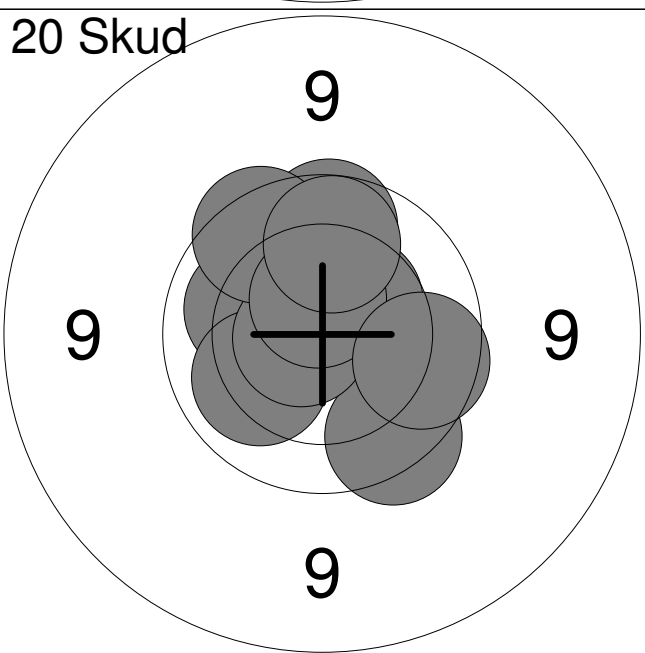
Prøve



1:	10.0	↘
2:	10.4	↗
3:	10.0	↑
4:	10.0	↖
5:	10.4	↗
6:	10.5	↘

Serie	60
Total	0

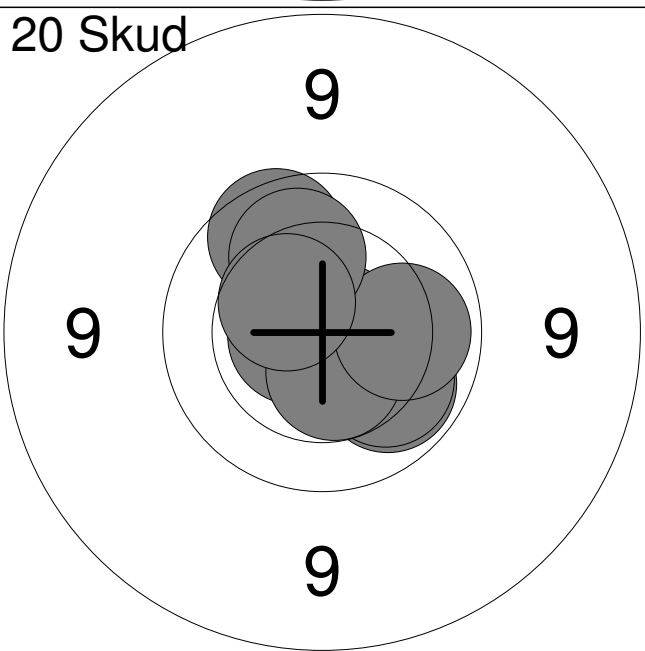
20 Skud



1:	10.5	↗
2:	9.8	↑
3:	10.1	↖
4:	10.1	↖
5:	9.7	↘
6:	10.7x	↖
7:	9.8	↗
8:	10.6x	↑
9:	10.0	↑
10:	9.9	→

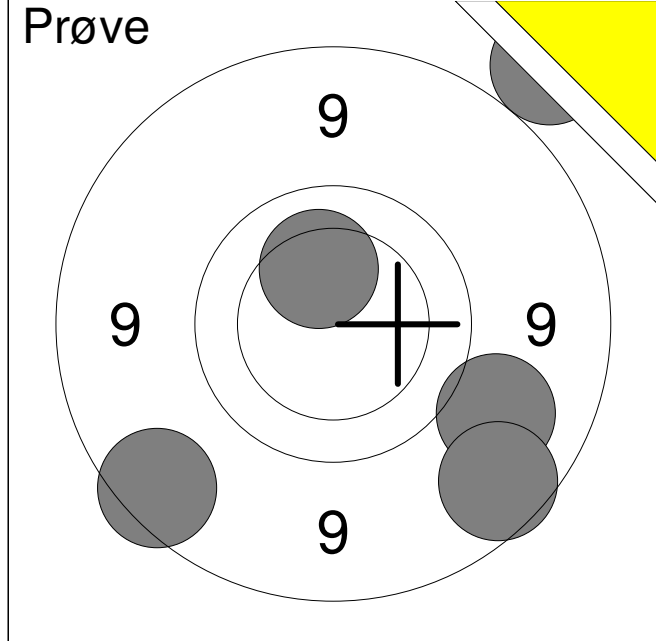
Serie	96
Total	96

20 Skud

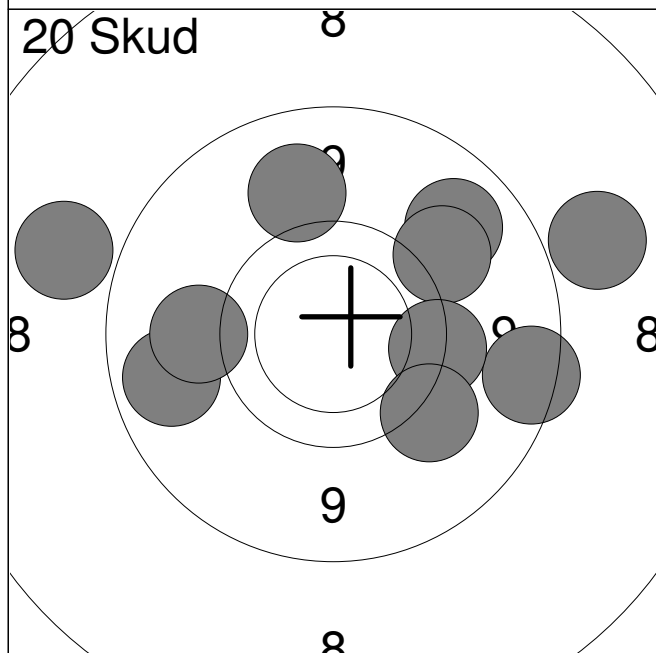


11:	10.0	↘
12:	10.9x	↗
13:	10.1	↘
14:	10.8x	→
15:	10.7x	↖
16:	10.5x	↘
17:	9.9	↗
18:	10.1	→
19:	10.1	↑
20:	10.4	↗

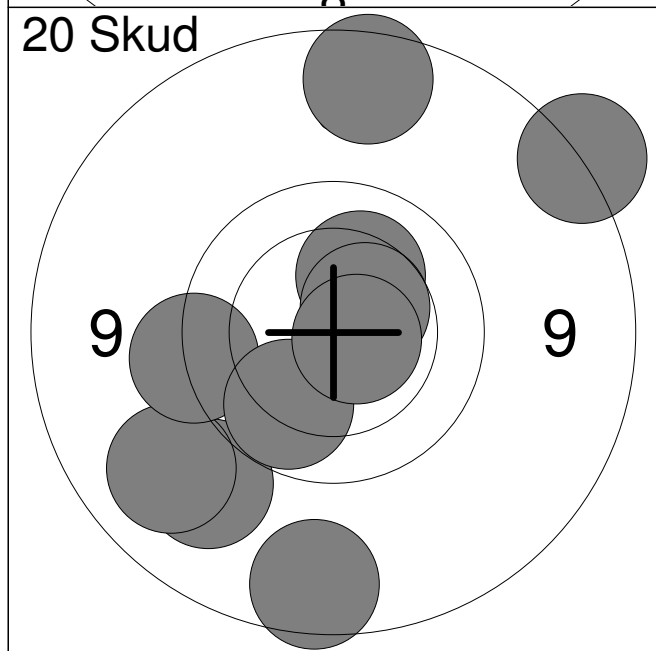
Serie	99
Total	195



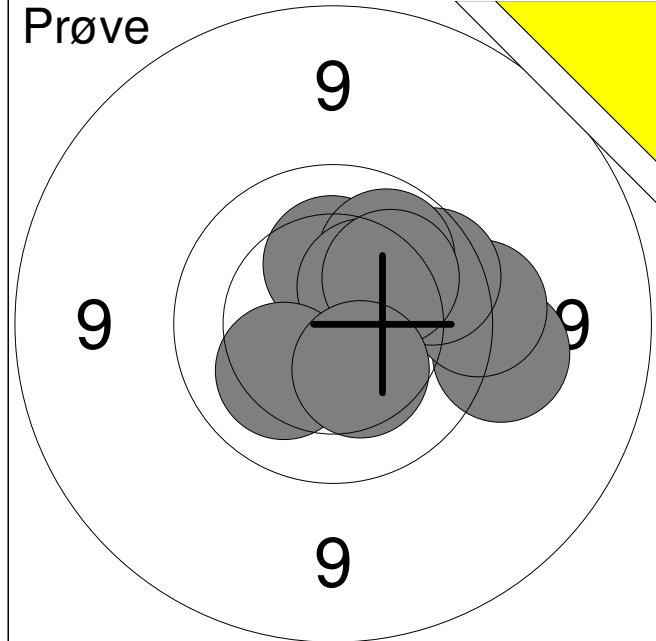
1:	9.2	↘
2:	8.9	↘
3:	10.2	↑
4:	8.4	↗
5:	8.8	↙
Serie		43
Total		0



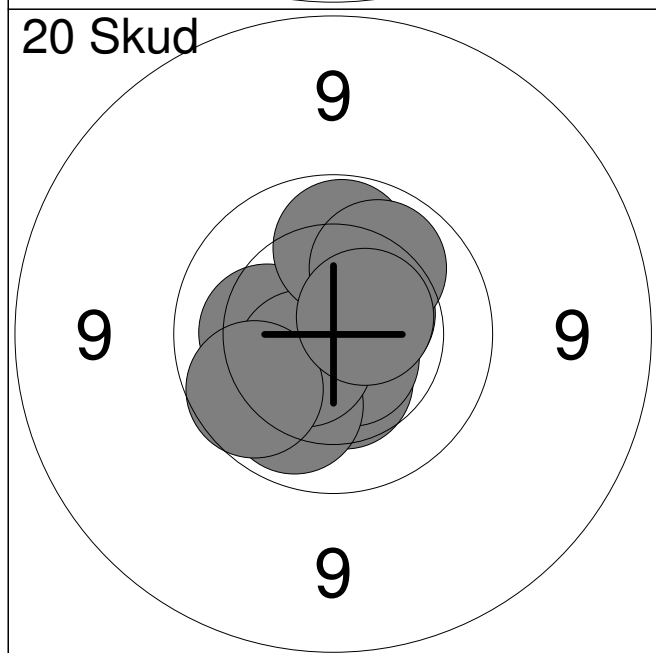
1:	8.8	→
2:	9.1	↗
3:	9.0	←
4:	9.3	↗
5:	9.6	→
6:	8.4	→
7:	9.4	↘
8:	9.3	←
9:	9.2	↑
10:	8.4	←
Serie		87
Total		87



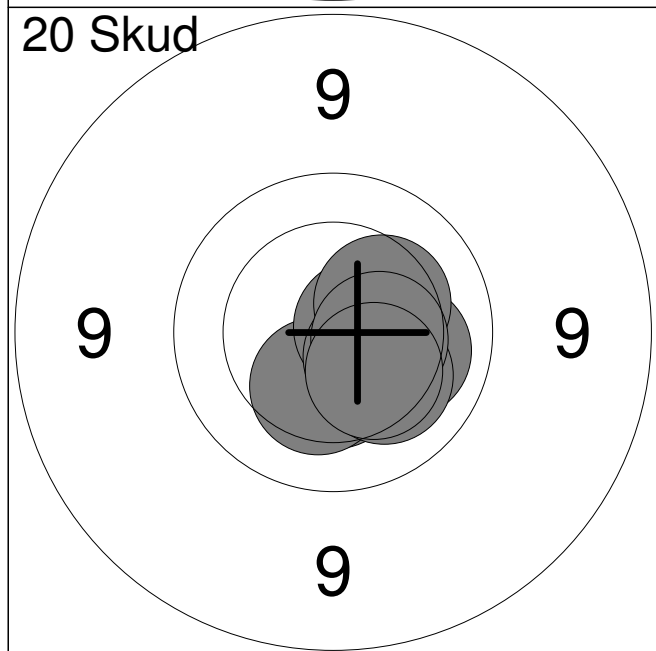
11:	8.7	↗
12:	9.2	↙
13:	8.9	↑
14:	9.1	↙
15:	9.6	←
16:	10.2	↑
17:	10.5	↗
18:	8.9	↓
19:	10.0	↙
20:	10.7x	→
Serie		91
Total		178



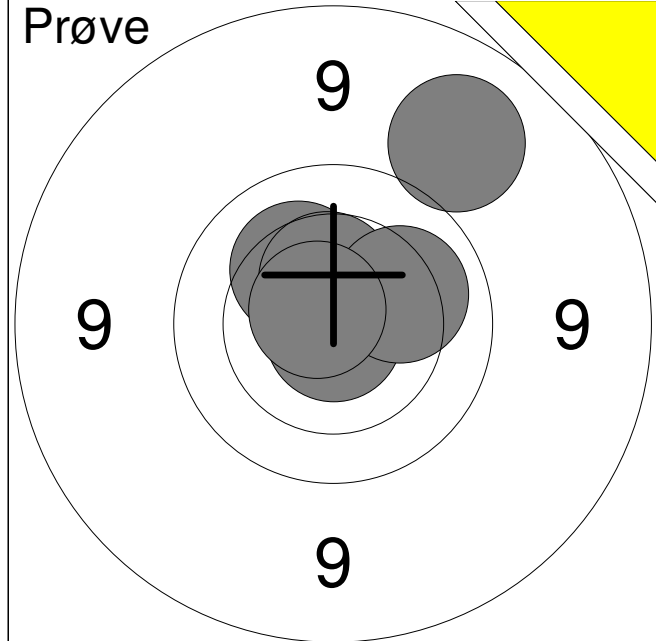
1:	10.3	↑
2:	9.4	→
3:	9.6	→
4:	9.8	↗
5:	10.0	↗
6:	10.4	↗
7:	10.1	↗
8:	10.2	↙
9:	10.4	↘
Serie		87
Total		0



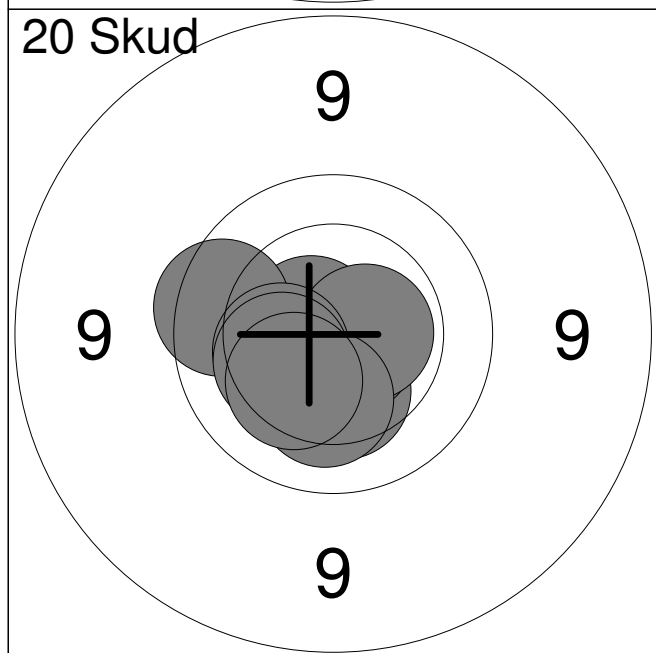
1:	10.5x	↗
2:	10.4	↓
3:	10.6x	↓
4:	10.2	←
5:	10.1	↓
6:	10.5x	↙
7:	9.9	↙
8:	10.0	↑
9:	10.1	↗
10:	10.5x	↗
Serie		99
Total		99



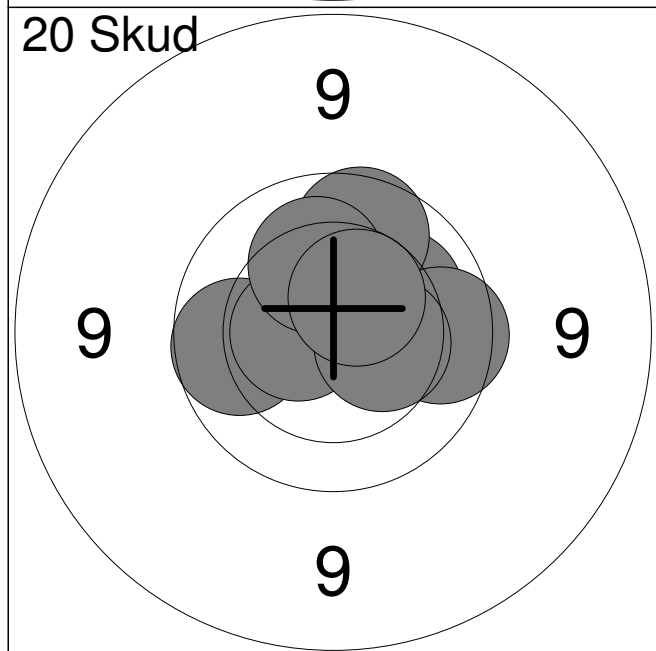
11:	10.4	↓
12:	10.5x	→
13:	10.3	↓
14:	10.2	→
15:	10.6x	→
16:	10.4	↘
17:	10.3	↗
18:	10.2	↘
19:	10.4	→
20:	10.3	↘
Serie		100
Total		199



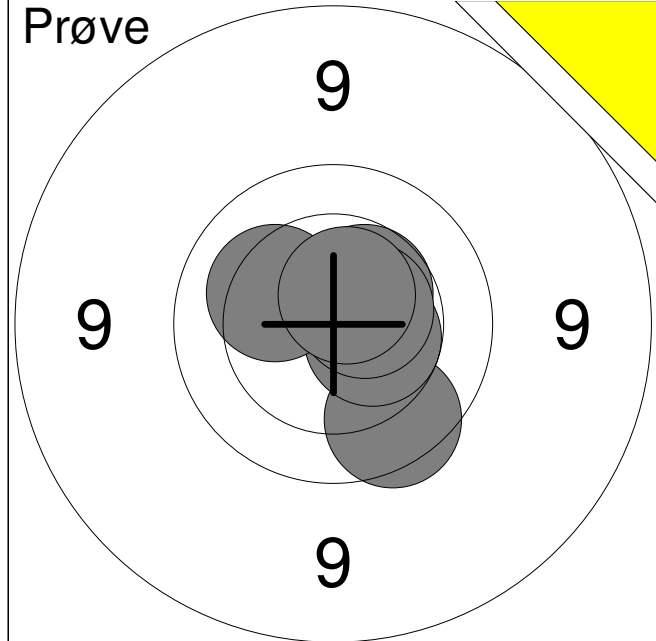
1:	9.1	↗
2:	10.8x	↓
3:	10.2	↗
4:	10.5	↑
5:	10.1	↗
6:	10.7x	↗
Serie		59
Total		0



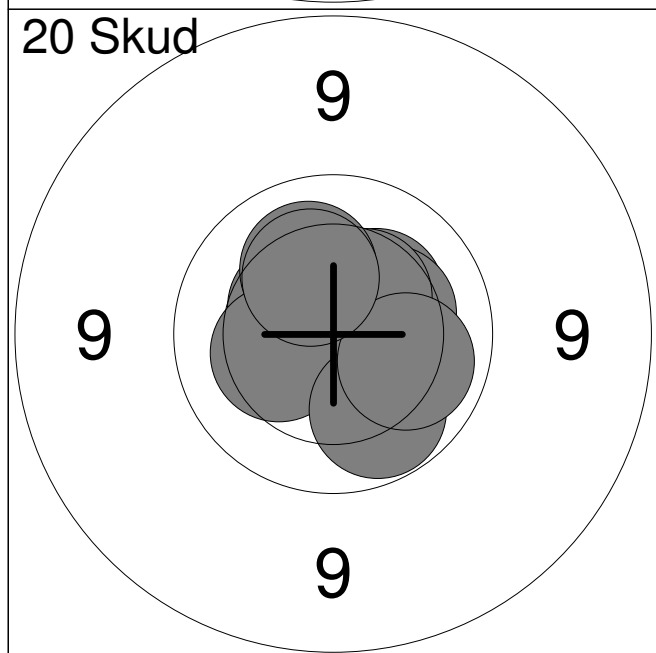
1:	10.4	↙
2:	10.3	↓
3:	10.7x	↖
4:	10.7x	↘
5:	9.8	←
6:	10.6x	→
7:	10.3	←
8:	10.3	↙
9:	10.2	↓
10:	10.3	↙
Serie		99
Total		99



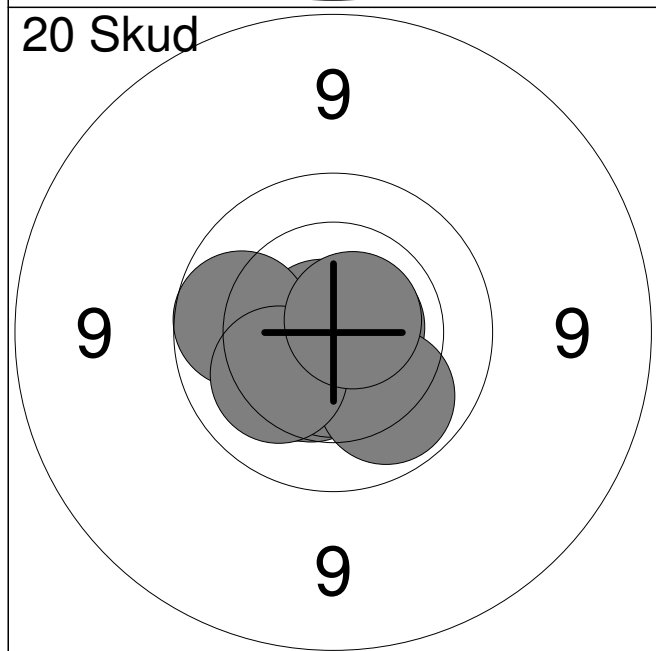
11:	10.5x	↑
12:	10.5	↑
13:	9.9	←
14:	10.2	↗
15:	10.6x	←
16:	9.9	↑
17:	10.2	↑
18:	9.8	→
19:	10.4	→
20:	10.5	↗
Serie		97
Total		196



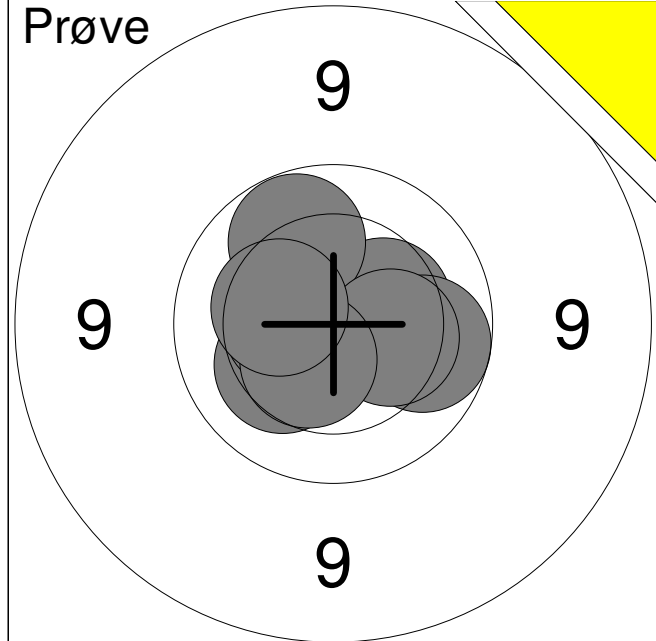
1:	9.8	↘
2:	10.5	↗
3:	10.5	→
4:	10.6x	↗
5:	10.2	↖
6:	10.6x	↗
Serie		59
Total		0



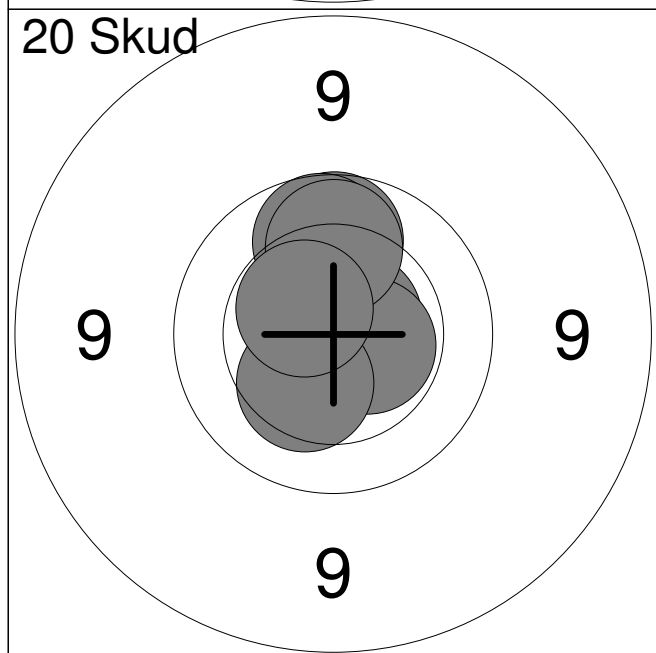
1:	10.3	↗
2:	10.4	↖
3:	10.3	→
4:	10.7x	↗
5:	10.4	↗
6:	10.3	←
7:	10.0	↘
8:	10.1	→
9:	10.2	↗
10:	10.3	↗
Serie		100
Total		100



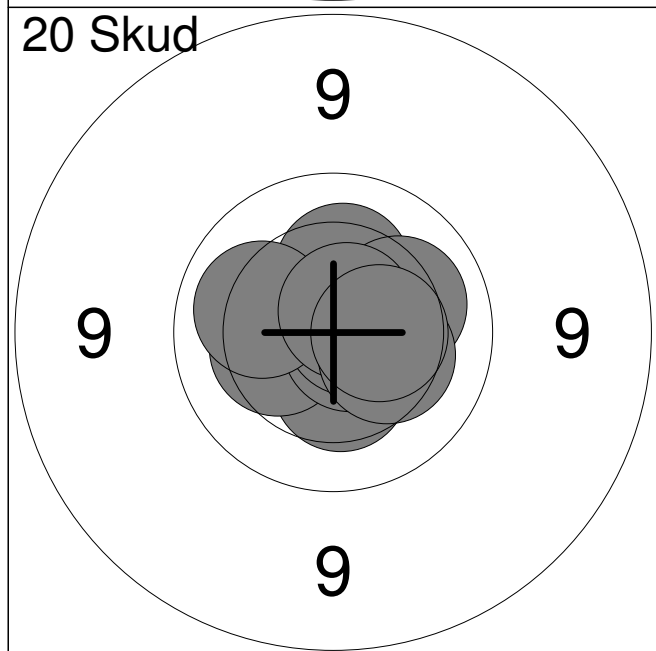
11:	10.7x	→
12:	10.8x	↖
13:	10.6x	↘
14:	10.4	↘
15:	10.4	↘
16:	10.6x	↘
17:	10.0	↘
18:	9.9	←
19:	10.2	↖
20:	10.7x	↗
Serie		99
Total		199



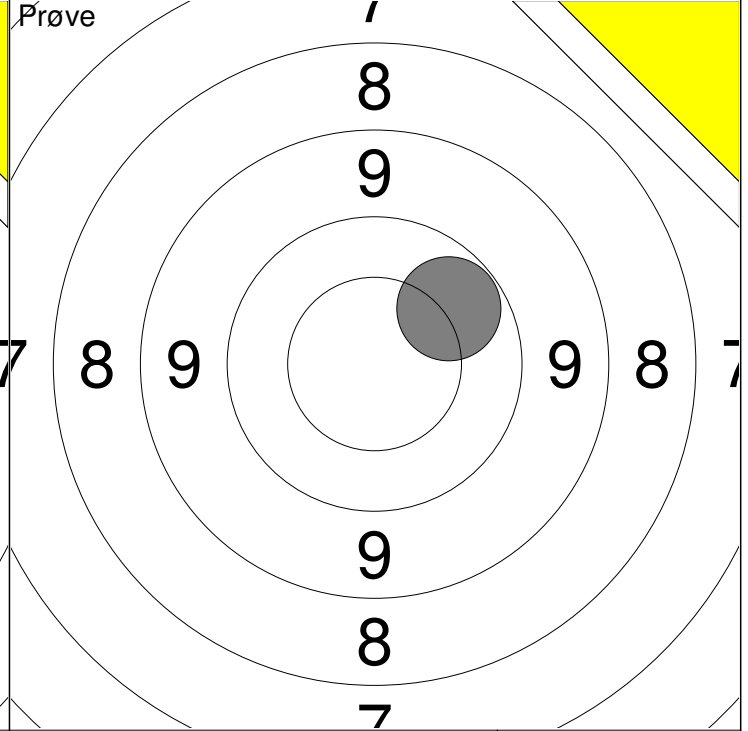
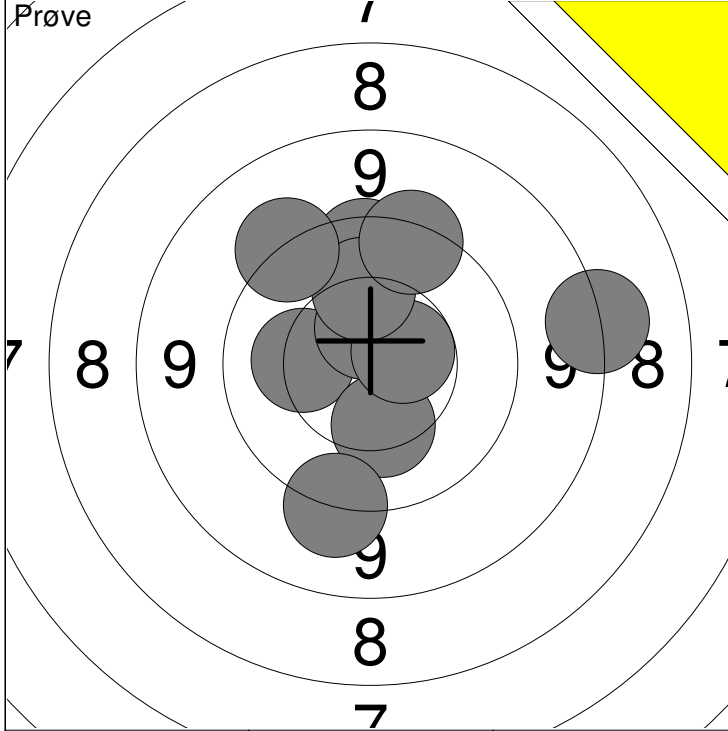
1:	10.4	→
2:	10.2	↙
3:	10.5x	←
4:	9.9	→
5:	10.0	↑
6:	10.3	→
7:	10.5	↘
8:	10.3	←
Serie		79
Total		0



1:	10.7x	↓
2:	10.7x	↙
3:	10.7x	↓
4:	9.9	↑
5:	9.9	↑
6:	10.7x	↗
7:	10.6x	→
8:	10.0	↑
9:	10.3	↘
10:	10.5x	↗
Serie		98
Total		98

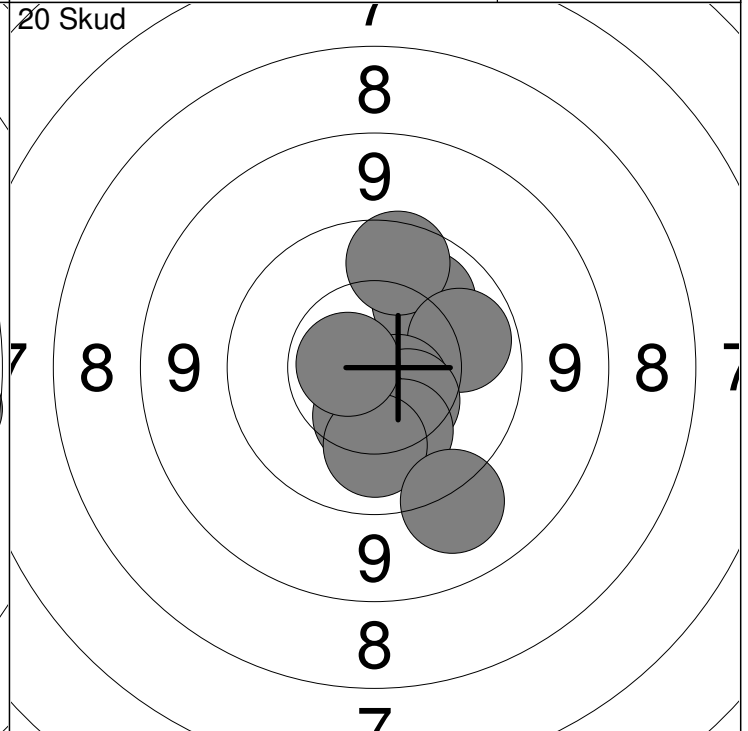
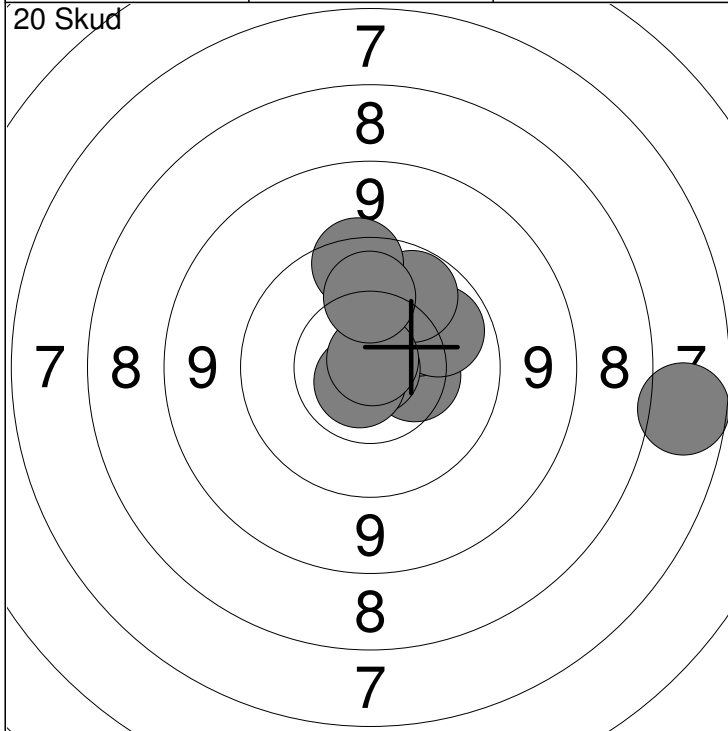


11:	10.3	↑
12:	10.4	↓
13:	10.3	←
14:	10.7x	↘
15:	10.7x	→
16:	10.2	→
17:	10.1	←
18:	10.7x	↗
19:	10.3	→
20:	10.4	→
Serie		100
Total		198



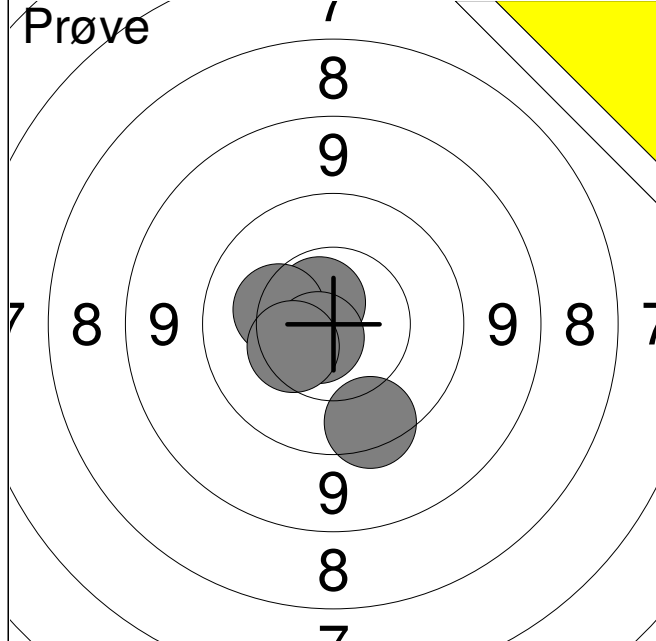
1: 10.2 ←	6: 10.6 →	Serie 94
2: 10.3 ↓	7: 10.2 ↑	
3: 9.7 ↑	8: 9.4 ↖	Total 0
4: 10.6 ↑	9: 9.6 ↑	
5: 9.4 ↓	10: 8.4 →	

11: 10.0 ↗	Serie 10
	Total 0

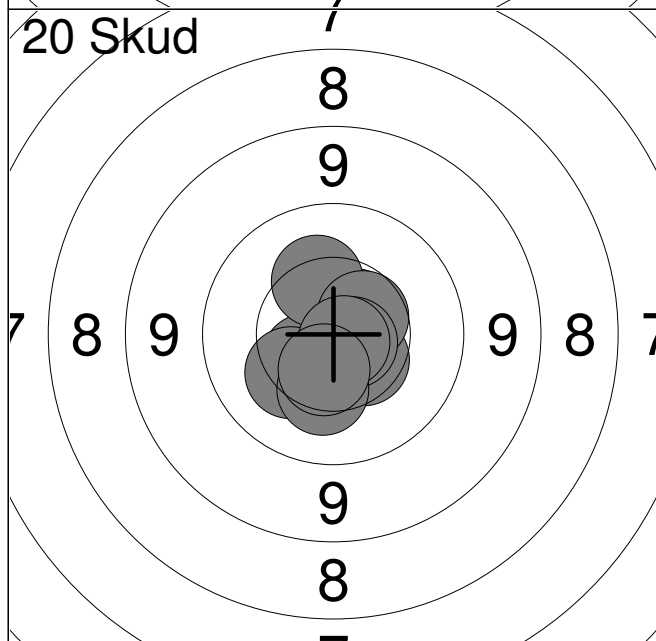


1: 10.4 →	6: 10.0 ↗	Serie 95
2: 6.9 →	7: 10.7x ↘	
3: 10.2 ↗	8: 10.9x ↑	Total 95
4: 10.0 ↗	9: 9.7 ↑	
5: 10.9x →	10: 10.1 ↑	

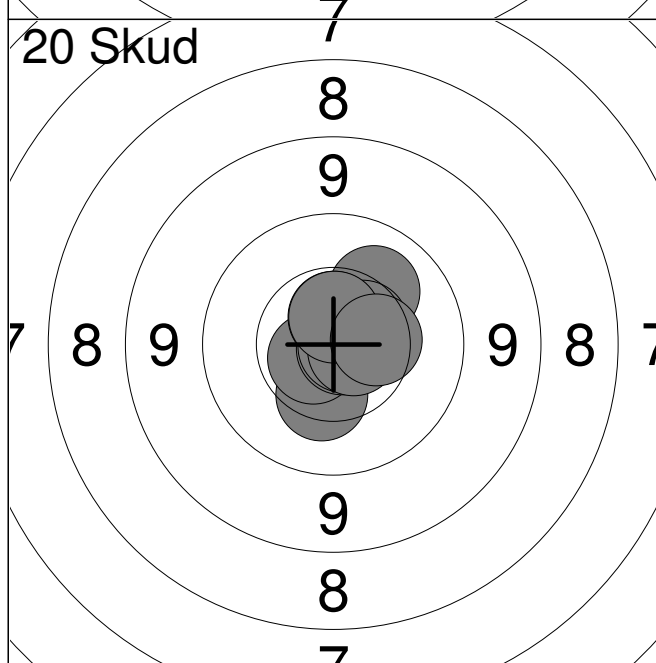
11: 10.1 ↗	16: 10.4 ↓	Serie 98
12: 9.8 ↑	17: 10.2 ↓	
13: 10.0 →	18: 10.1 ↓	Total 193
14: 10.6x ↘	19: 9.3 ↓	
15: 10.5 ↘	20: 10.7x ←	



1:	9.7	↘
2:	10.6x	↗
3:	10.3	↖
4:	10.7x	↙
5:	10.4	↖
Serie		49
Total		0

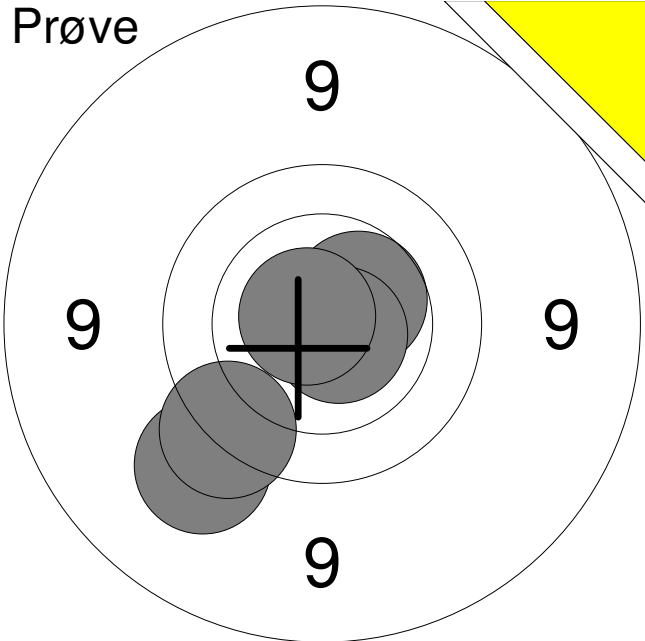


1:	10.5	↘
2:	10.5	↙
3:	10.6x	↗
4:	10.3	↙
5:	10.3	↗
6:	10.5	↗
7:	10.7x	↘
8:	10.8x	↘
9:	10.3	↘
10:	10.5	↘
Serie		100
Total		100



11:	10.3	↘
12:	10.2	↗
13:	10.7x	↖
14:	10.5	↗
15:	10.6x	↗
16:	10.8x	↘
17:	10.8x	→
18:	10.7x	→
19:	10.6x	↗
20:	10.4	→
Serie		100
Total		200

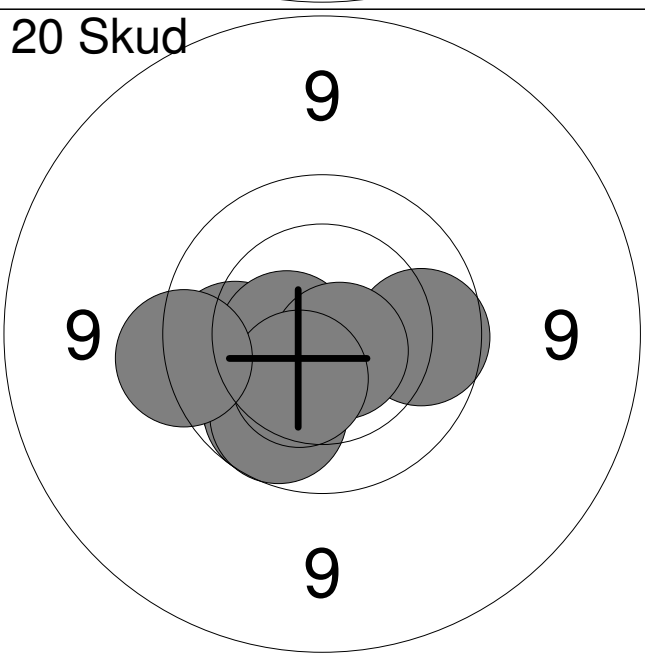
Prøve



1:	9.4	↙
2:	9.6	↙
3:	10.5	↗
4:	10.7x	↘
5:	10.8x	↖

Serie	48
Total	0

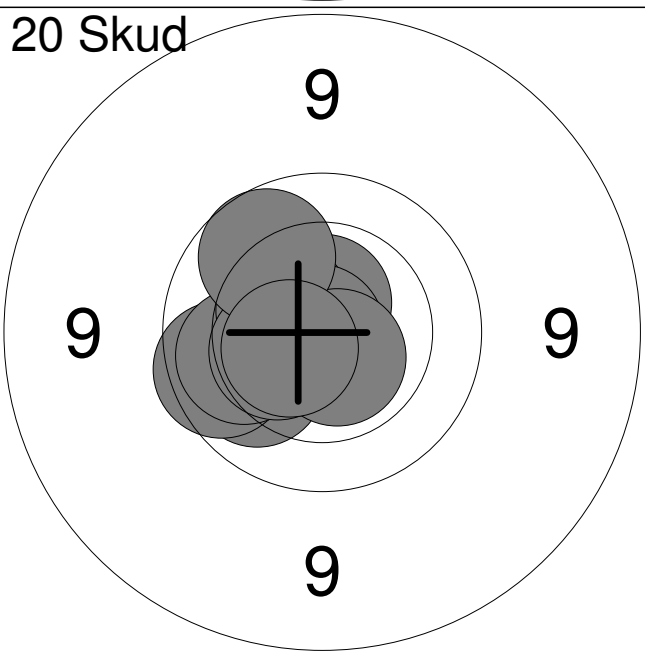
20 Skud



1:	10.3	↙
2:	10.0	↙
3:	9.9	↙
4:	10.0	←
5:	9.9	↙
6:	10.6x	←
7:	9.9	→
8:	10.7x	↘
9:	10.4	↙
10:	9.6	←

Serie	96
Total	96

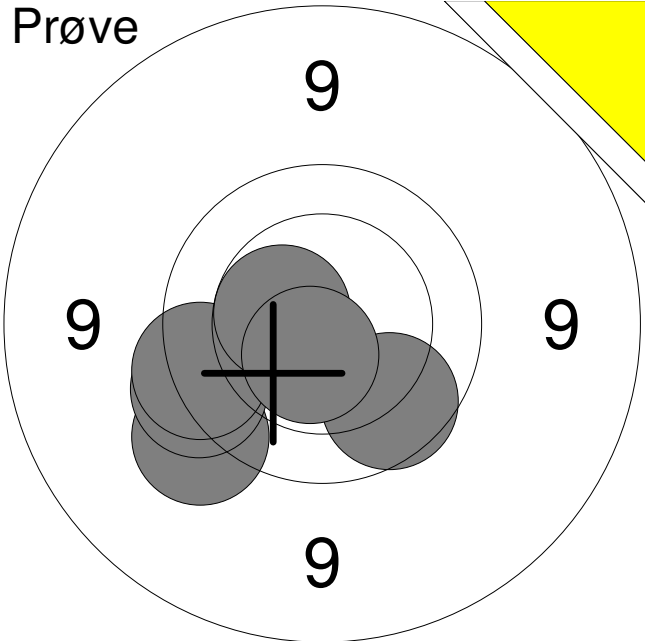
20 Skud



11:	10.1	↙
12:	10.6x	↑
13:	9.8	←
14:	10.0	←
15:	10.5	↖
16:	10.9x	←
17:	10.4	←
18:	10.6x	↘
19:	9.9	↗
20:	10.6x	←

Serie	98
Total	194

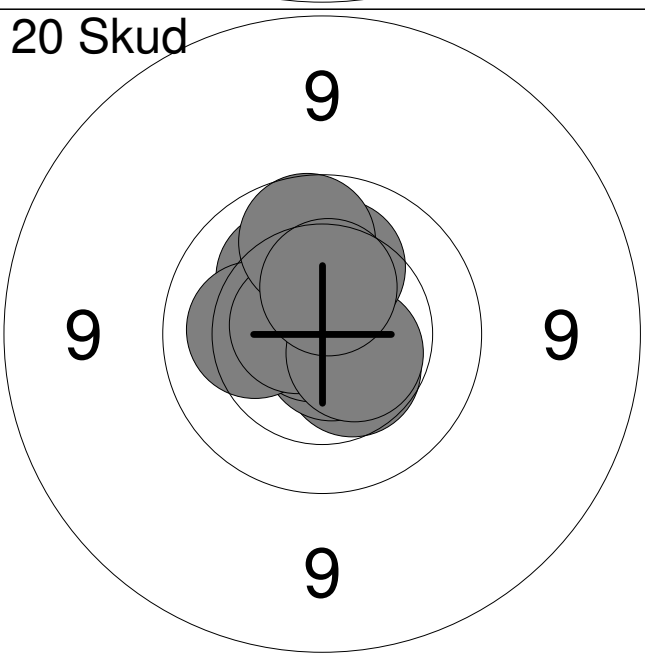
Prøve



1:	9.5	↙
2:	9.6	↙
3:	9.7	↙
4:	9.9	↘
5:	10.5x	↖
6:	10.6x	↘

Serie	56
Total	0

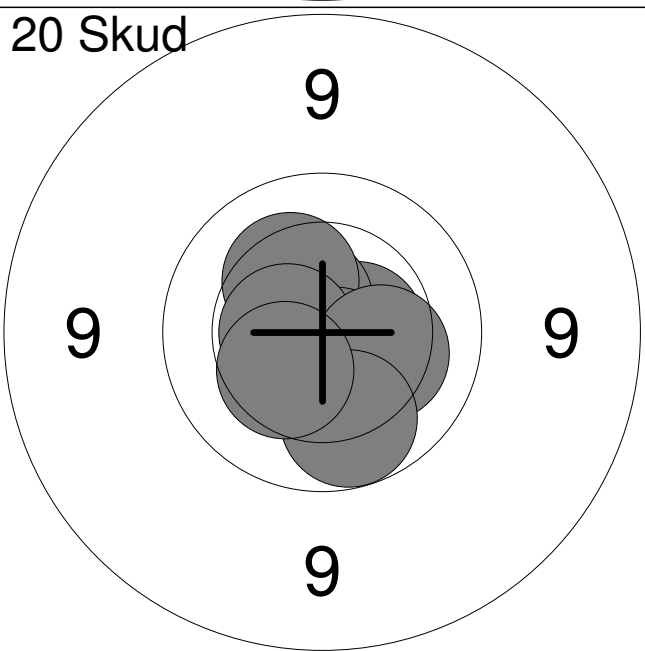
20 Skud



1:	10.2	↗
2:	10.5	↘
3:	10.7x	↘
4:	10.9x	↖
5:	10.2	↖
6:	10.7x	↖
7:	10.5x	↘
8:	10.2	↗
9:	9.9	↗
10:	10.4	↗

Serie	99
Total	99

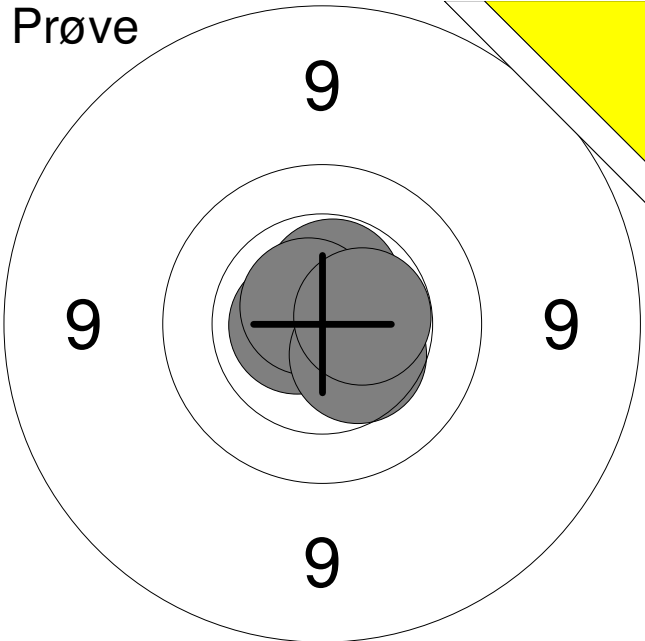
20 Skud



11:	10.4	↘
12:	10.6x	→
13:	10.6x	↗
14:	10.3	↗
15:	10.5	↘
16:	10.7x	↘
17:	10.6x	↖
18:	10.3	↘
19:	10.0	↘
20:	10.4	↘

Serie	100
Total	199

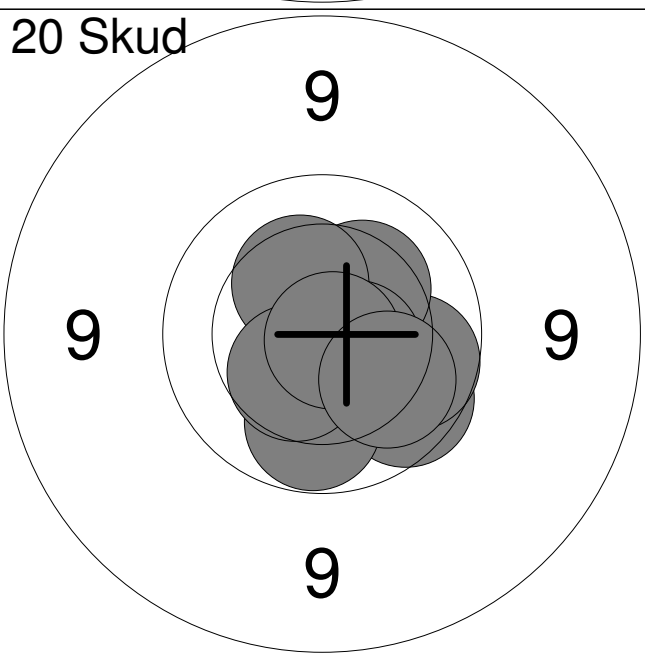
Prøve



1:	10.7x	←
2:	10.5x	↑
3:	10.7x	↗
4:	10.4	↘
5:	10.5x	→

Serie	50
Total	0

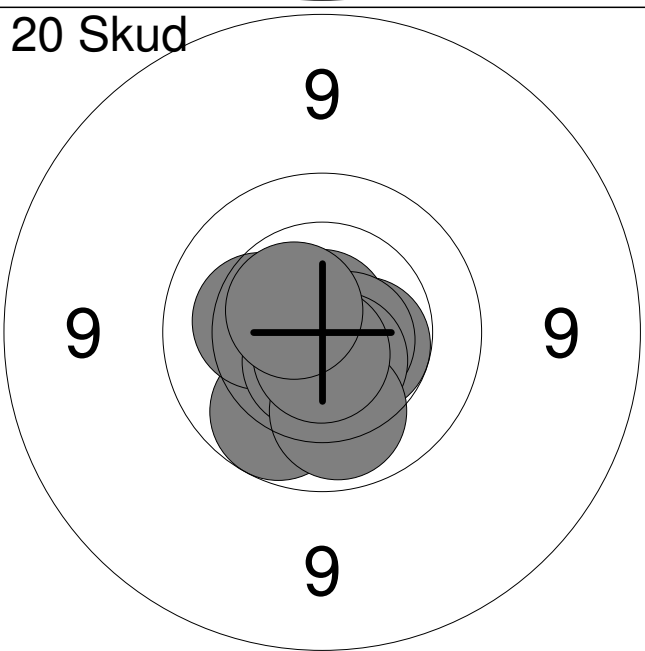
20 Skud



1:	9.9	↘
2:	9.9	→
3:	10.4	↘
4:	10.0	↓
5:	10.3	↗
6:	10.3	↗
7:	10.6x	↘
8:	10.4	↘
9:	10.8x	↘
10:	10.1	↘

Serie	98
Total	98

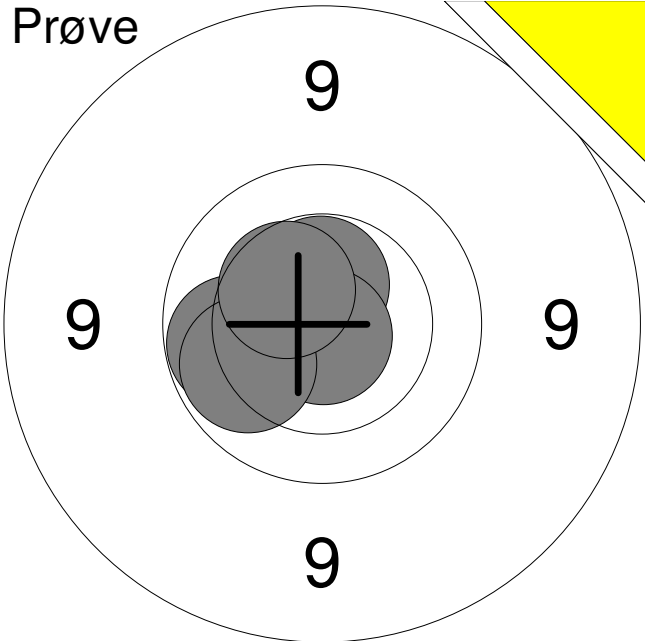
20 Skud



11:	10.5x	→
12:	10.0	↘
13:	10.8x	↑
14:	10.3	←
15:	10.6x	↘
16:	10.7x	→
17:	10.6x	↘
18:	10.1	↓
19:	10.7x	↓
20:	10.6x	↗

Serie	100
Total	198

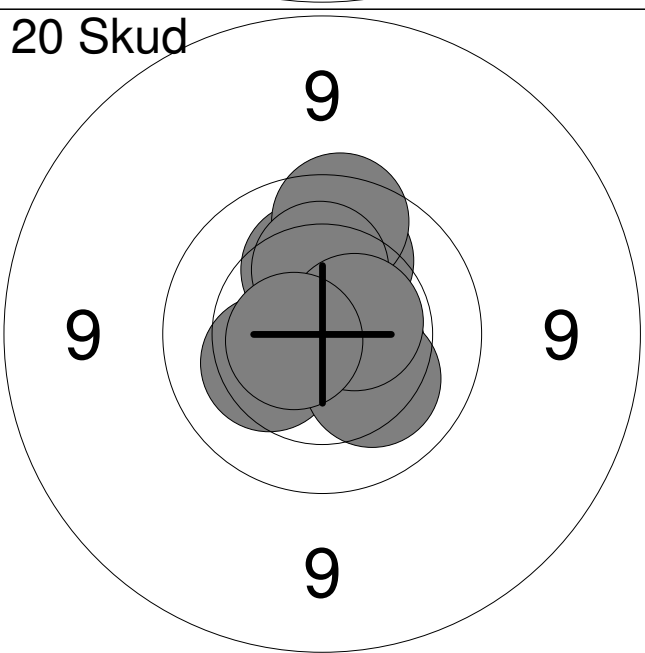
Prøve



1:	10.0	←
2:	10.5x	↑
3:	10.8x	↓
4:	10.0	←
5:	10.4	↗

Serie	50
Total	0

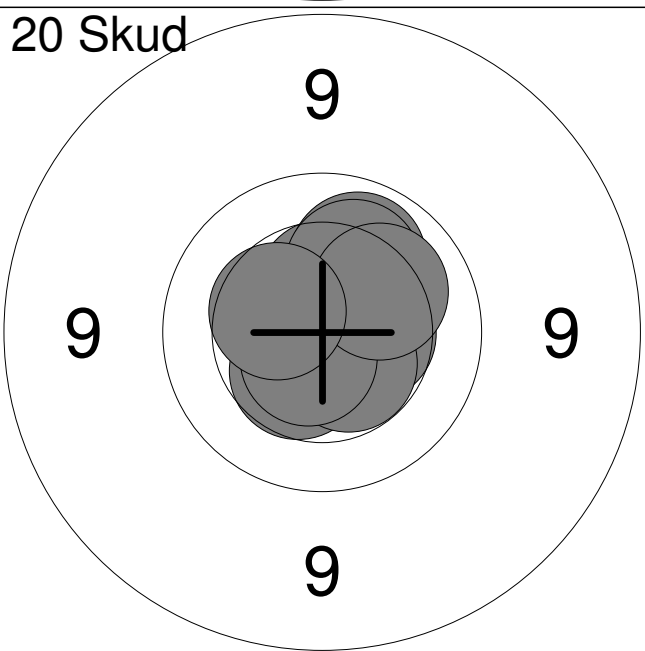
20 Skud



1:	10.5x	↘
2:	10.2	↑
3:	10.3	←
4:	10.1	↑
5:	9.8	↑
6:	10.8x	→
7:	10.2	↘
8:	10.2	↑
9:	10.6x	→
10:	10.6x	←

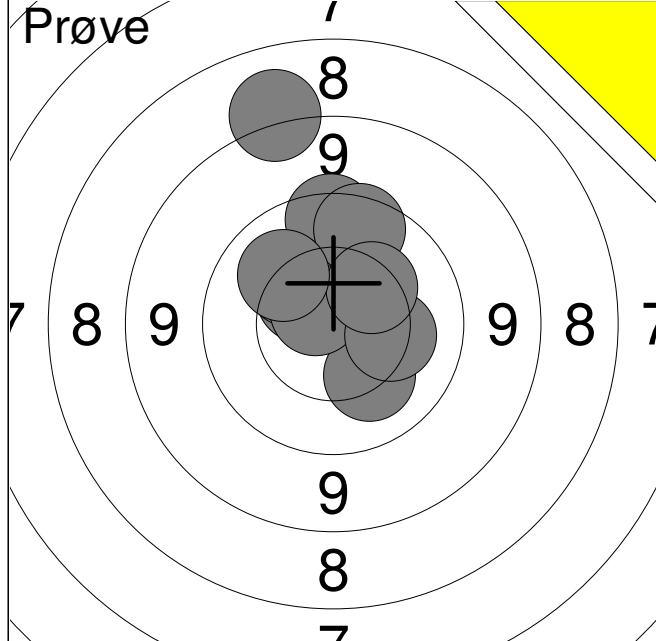
Serie	99
Total	99

20 Skud



11:	10.5	↑
12:	10.4	↘
13:	10.9x	→
14:	10.1	↗
15:	10.2	↗
16:	10.4	→
17:	10.5x	↘
18:	10.6x	↘
19:	10.2	↗
20:	10.4	←

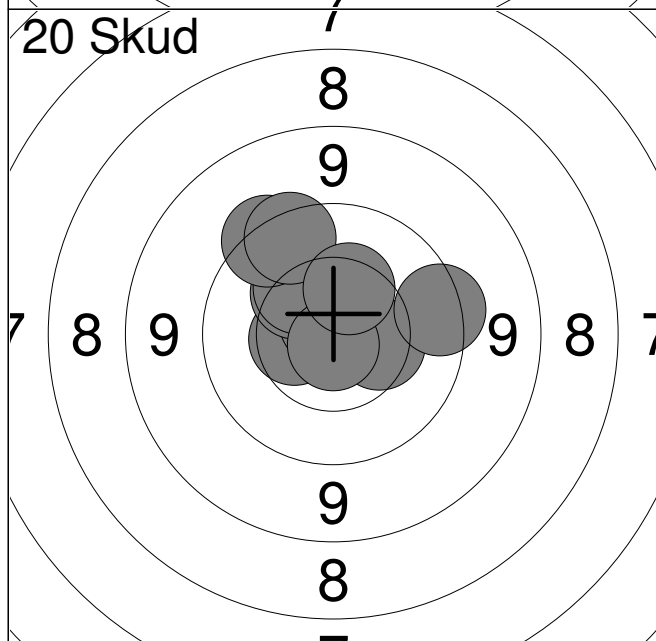
Serie	100
Total	199



1:	10.5	↗
2:	10.2	↘
3:	8.2	↗
4:	9.7	↗
5:	10.2	↗
6:	9.8	↗
7:	10.7x	↗
8:	10.3	→
9:	10.3	↗
10:	10.1	↗

Serie	96
-------	-----------

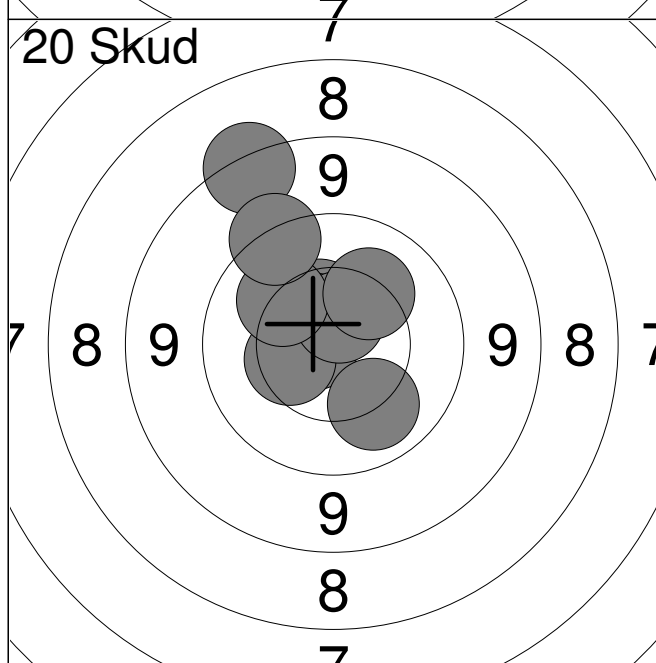
Total	0
-------	----------



1:	10.5	←
2:	10.4	→
3:	9.6	→
4:	10.8x	↗
5:	10.3	↗
6:	10.3	↗
7:	9.6	↗
8:	10.8x	↘
9:	9.7	↗
10:	10.4	↗

Serie	97
-------	-----------

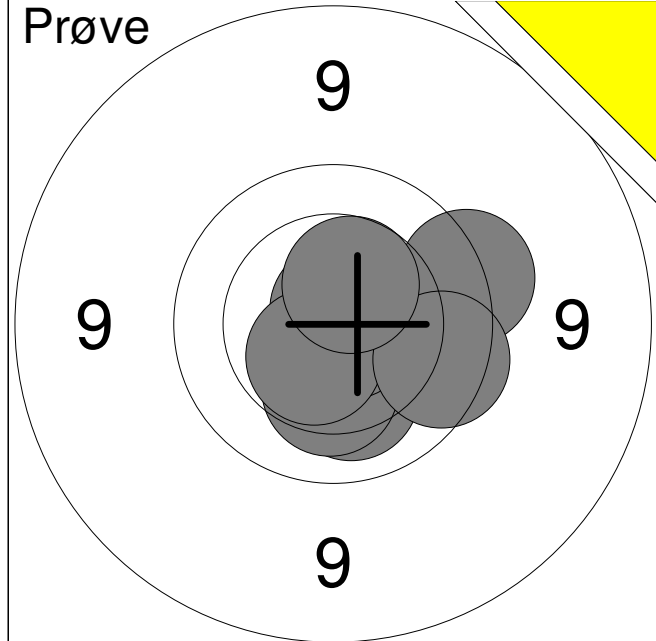
Total	97
-------	-----------



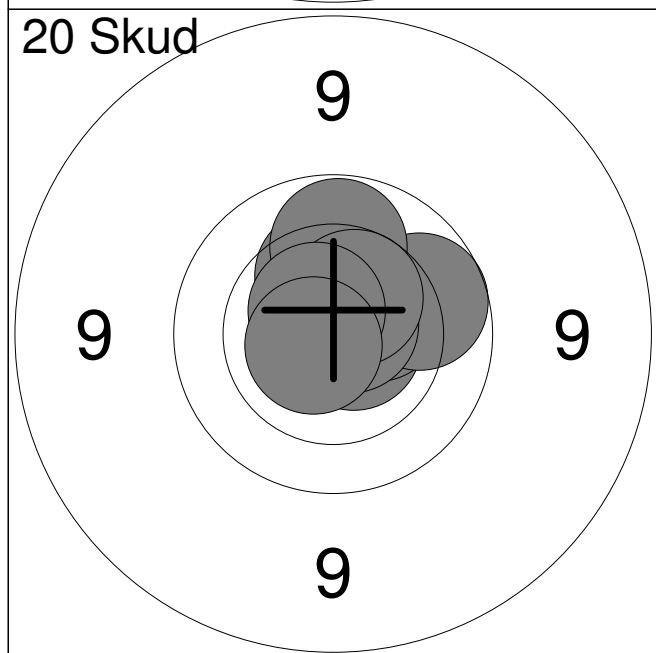
11:	10.5	↗
12:	8.5	↗
13:	10.6	↗
14:	10.7x	←
15:	10.4	←
16:	10.6x	↗
17:	10.2	↗
18:	10.2	↗
19:	10.1	↘
20:	9.5	↗

Serie	97
-------	-----------

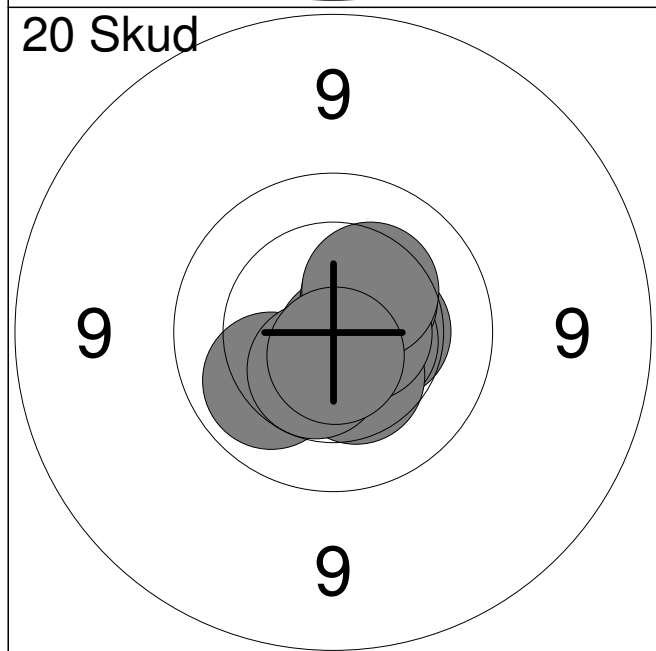
Total	194
-------	------------



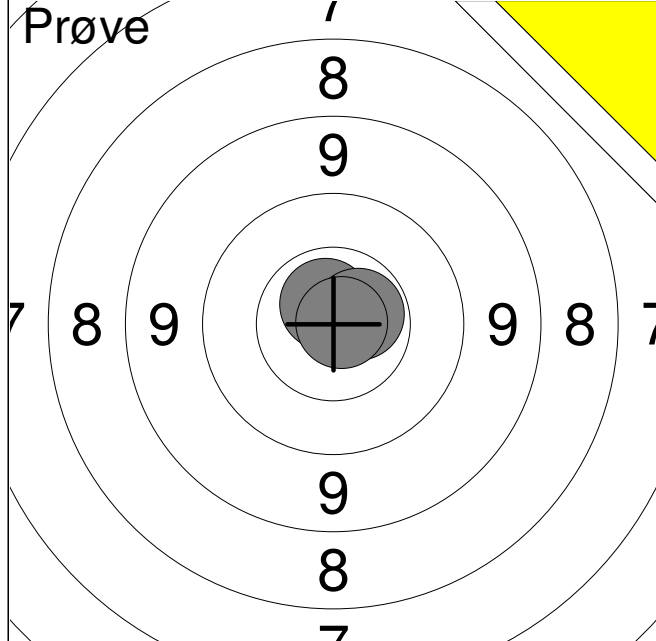
1:	10.2	↓
2:	10.3	↓
3:	10.8x	↘
4:	9.6	→
5:	10.8x	↑
6:	10.5x	↙
7:	9.8	→
8:	10.5	↑
Serie		78
Total		0



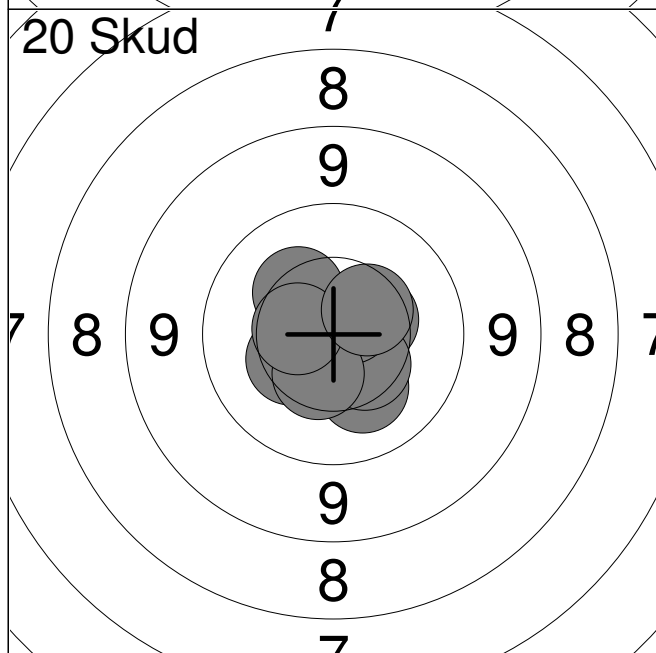
1:	10.7x	→
2:	10.7x	→
3:	10.4	↘
4:	9.9	→
5:	10.7x	↘
6:	10.3	↑
7:	10.0	↑
8:	10.5	↗
9:	10.6x	↗
10:	10.7x	↖
Serie		99
Total		99



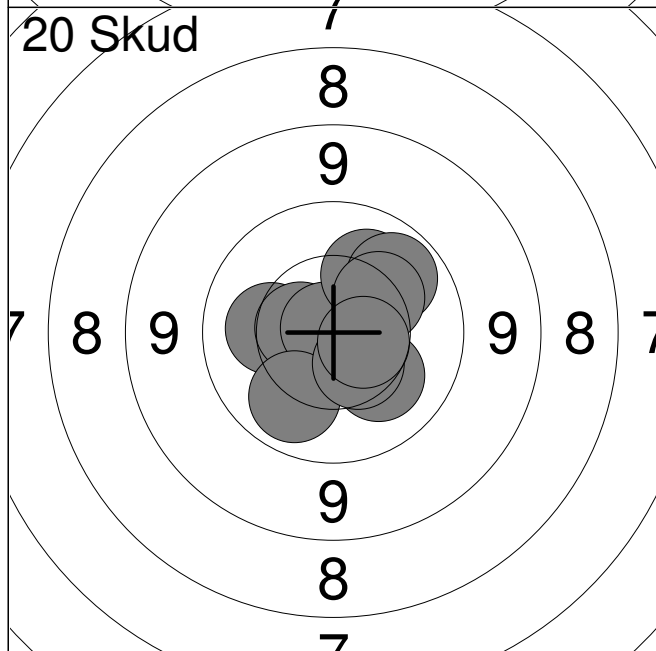
11:	10.4	→
12:	10.5x	→
13:	10.8x	↙
14:	10.4	↙
15:	10.1	↖
16:	10.4	↗
17:	10.5	↙
18:	10.6x	→
19:	10.3	↗
20:	10.7x	↓
Serie		100
Total		199



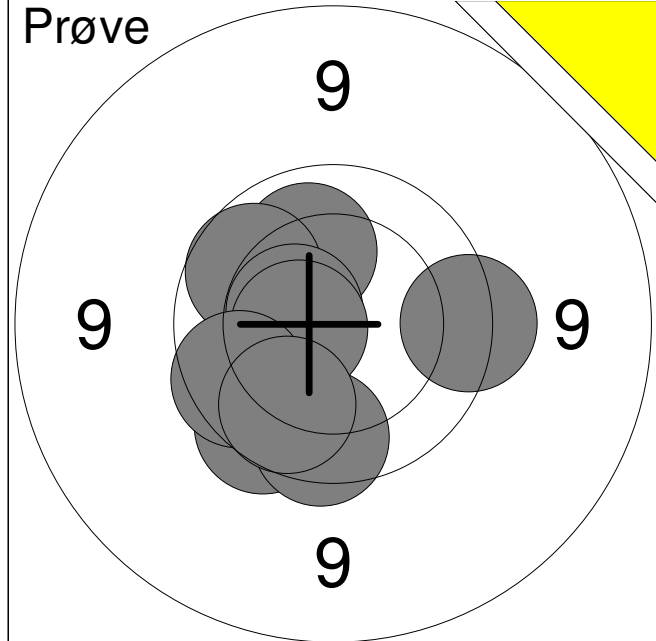
1:	10.7x	↖
2:	10.6x	→
3:	10.8x	→
Serie		30
Total		0



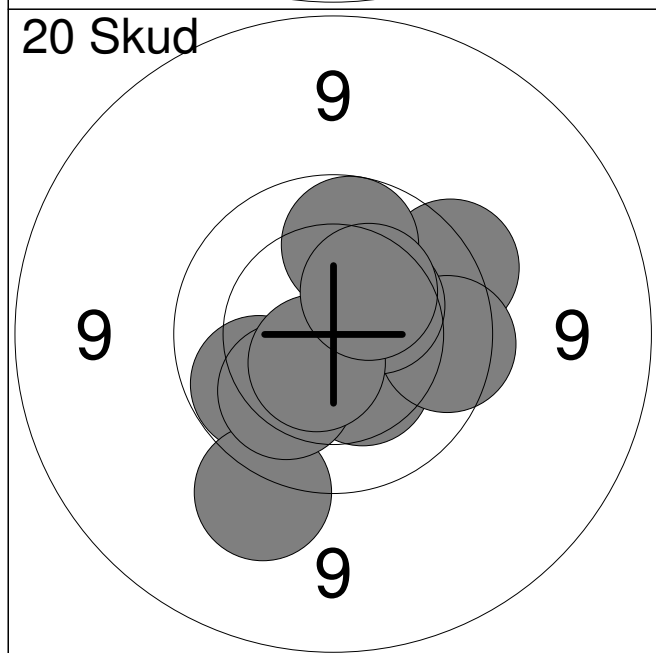
1:	10.5	→
2:	10.2	↘
3:	10.4	↘
4:	10.7x	↗
5:	10.3	↗
6:	10.5	←
7:	10.4	←
8:	10.5	↘
9:	10.5	←
10:	10.5	↗
Serie		100
Total		100



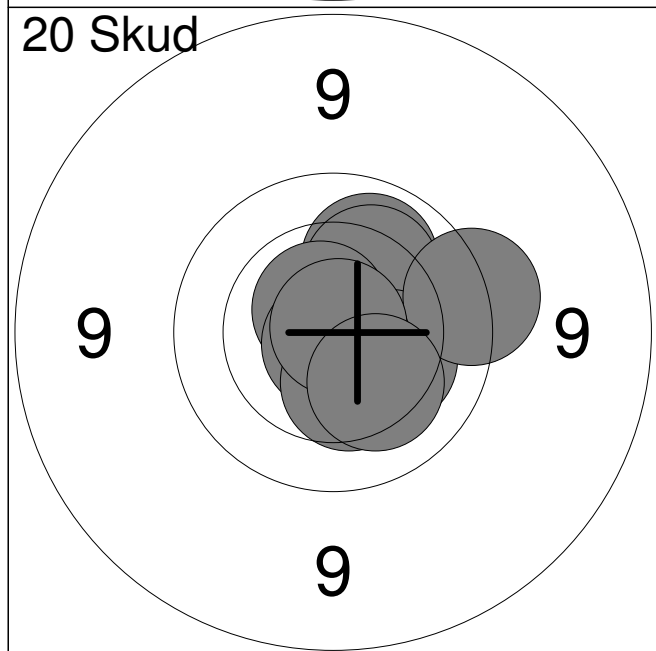
11:	10.2	←
12:	10.6	←
13:	10.9x	↗
14:	10.2	↘
15:	10.2	↗
16:	10.0	↗
17:	10.3	↗
18:	10.1	↘
19:	10.5	↘
20:	10.6	→
Serie		100
Total		200



1:	10.1	↗
2:	9.7	↘
3:	9.9	↖
4:	9.7	→
5:	10.5x	↖
6:	10.6x	←
7:	9.8	↙
8:	9.8	↓
9:	9.9	↘
Serie	84	
Total	0	

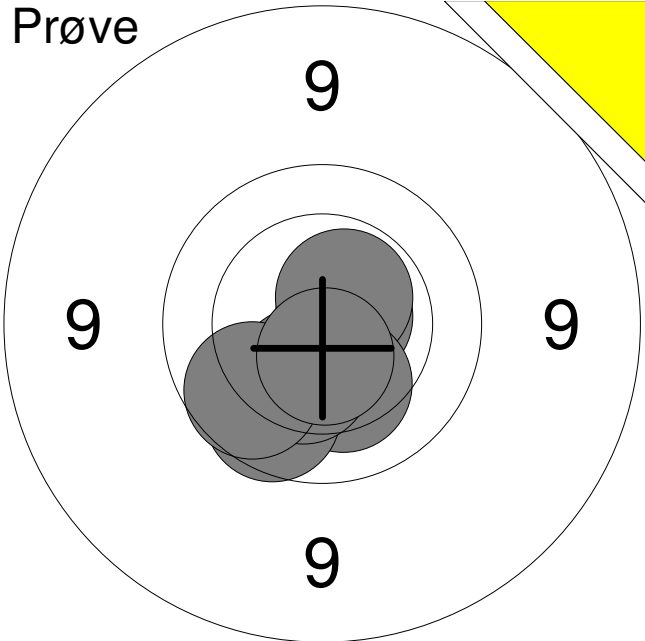


1:	10.0	↙
2:	9.4	↘
3:	9.7	↗
4:	9.9	↑
5:	10.4	↘
6:	10.1	↙
7:	9.8	→
8:	10.4	↗
9:	10.6x	↘
10:	10.3	↗
Serie	96	
Total	96	



11:	10.1	↗
12:	10.2	→
13:	10.2	↗
14:	10.3	↘
15:	9.6	→
16:	10.7x	↗
17:	10.8x	↘
18:	10.4	↘
19:	10.9x	↗
20:	10.2	↘
Serie	99	
Total	195	

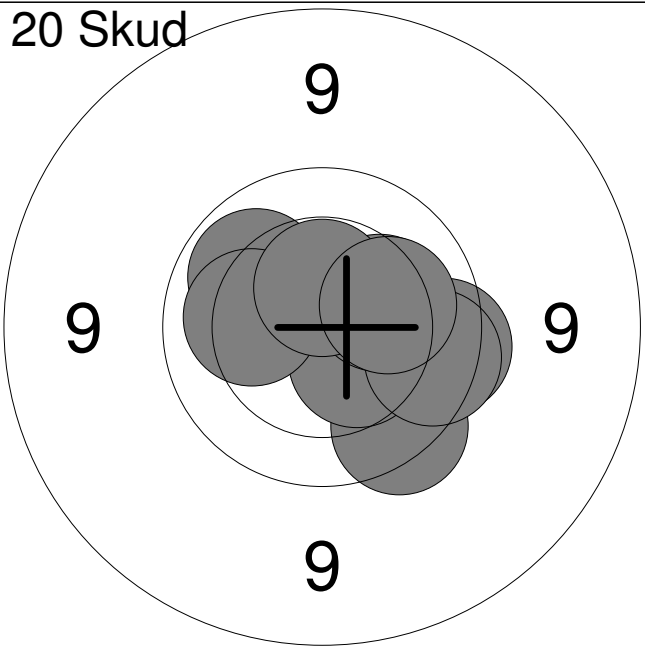
Prøve



1:	10.7x	→
2:	10.6x	↗
3:	10.2	↓
4:	9.9	↙
5:	10.3	↓
6:	9.9	↖
7:	10.6x	↓

Serie	68
Total	0

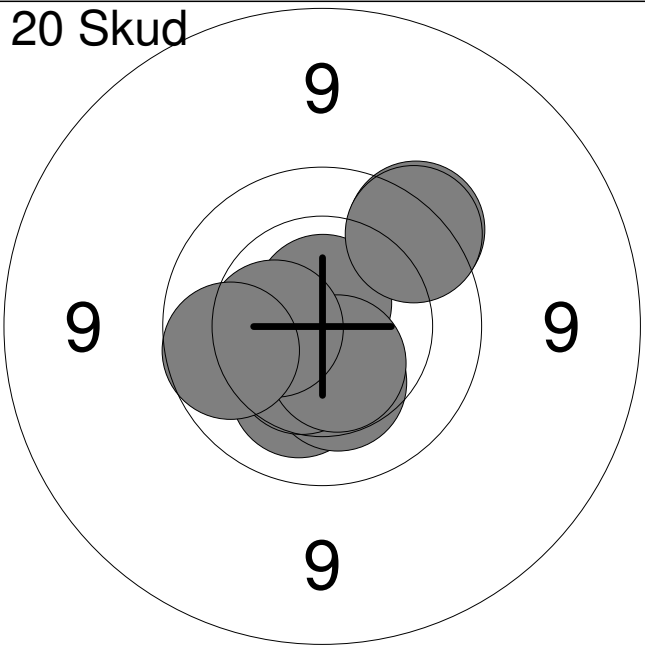
20 Skud



1:	9.7	↙
2:	9.7	→
3:	10.4	↙
4:	10.3	↗
5:	10.0	↗
6:	9.8	→
7:	10.3	→
8:	10.2	←
9:	10.5x	↑
10:	10.2	→

Serie	97
Total	97

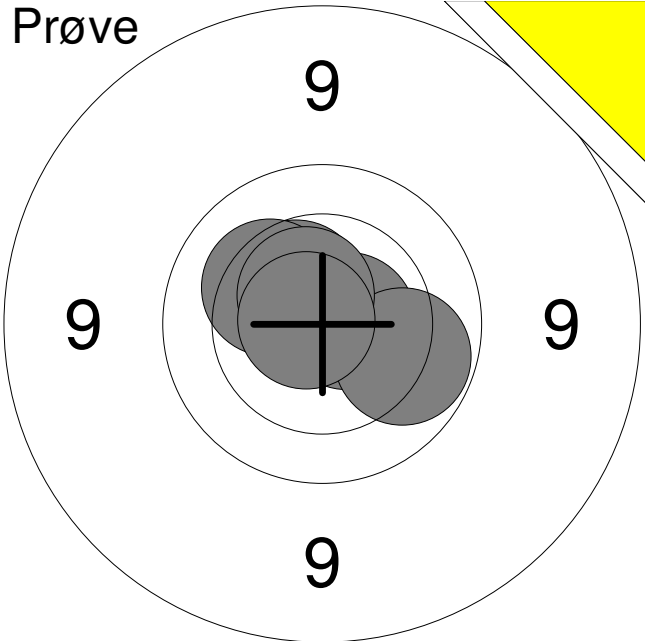
20 Skud



11:	10.5	↙
12:	10.7x	↑
13:	10.2	↙
14:	10.3	↙
15:	9.7	↗
16:	9.7	↗
17:	10.5	↙
18:	10.5x	↙
19:	10.4	←
20:	9.9	←

Serie	97
Total	194

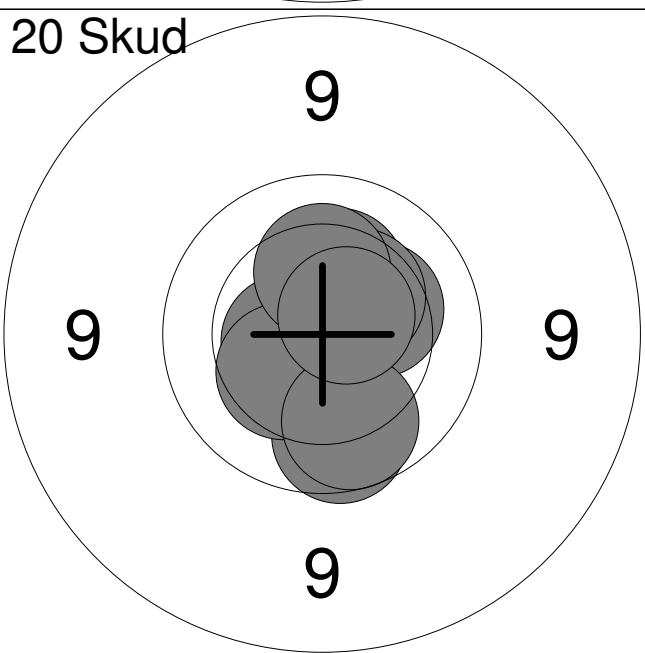
Prøve



1:	10.7x	→
2:	10.5	↗
3:	10.2	↗
4:	10.0	→
5:	10.6x	↗
6:	10.8x	←

Serie	60
Total	0

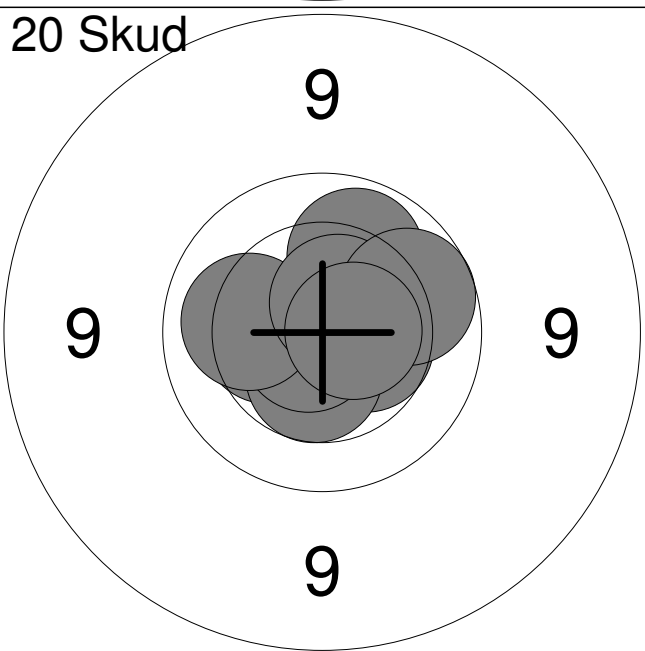
20 Skud



1:	10.4	↓
2:	10.6x	←
3:	9.9	↓
4:	10.4	↙
5:	10.3	↗
6:	10.3	↑
7:	10.4	↗
8:	9.9	↓
9:	10.3	↑
10:	10.6x	↗

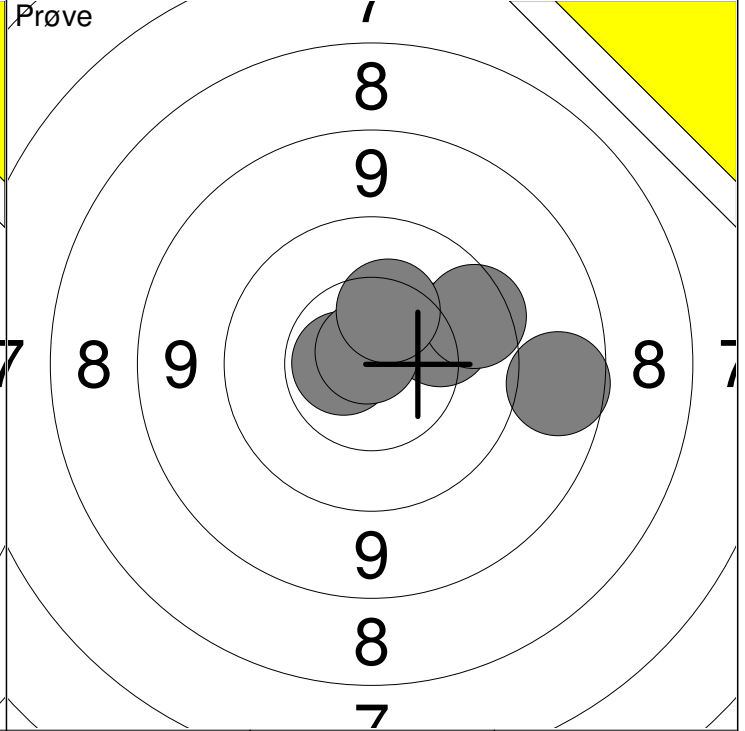
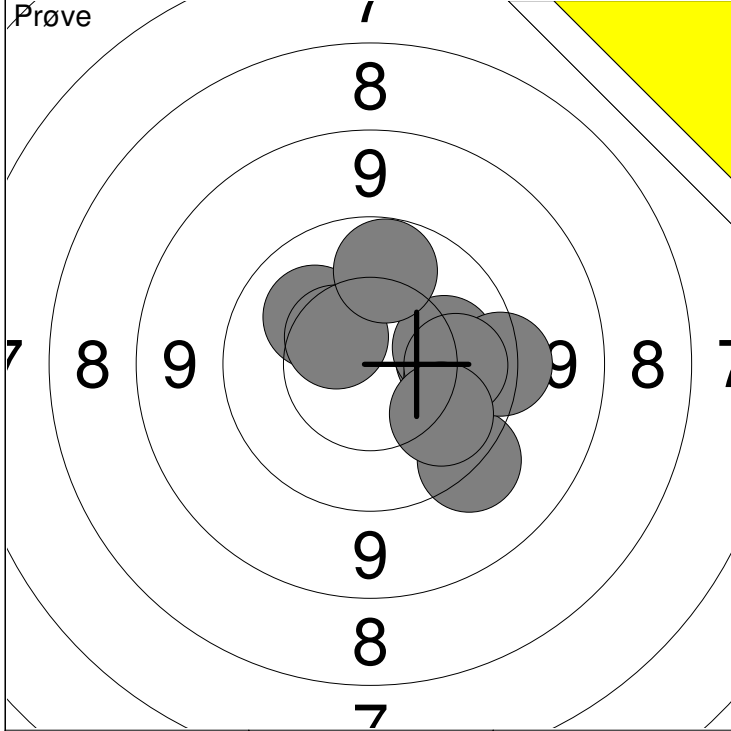
Serie	98
Total	98

20 Skud



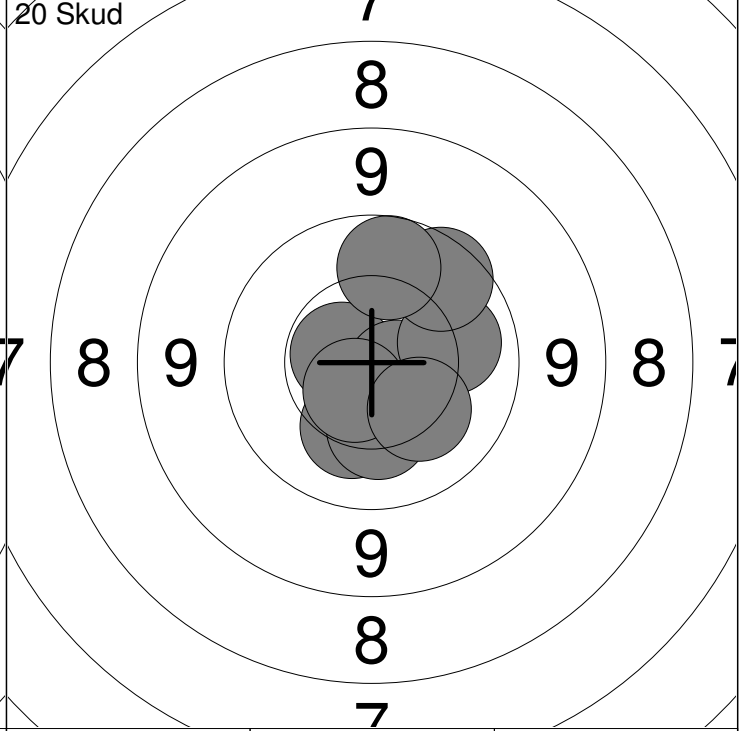
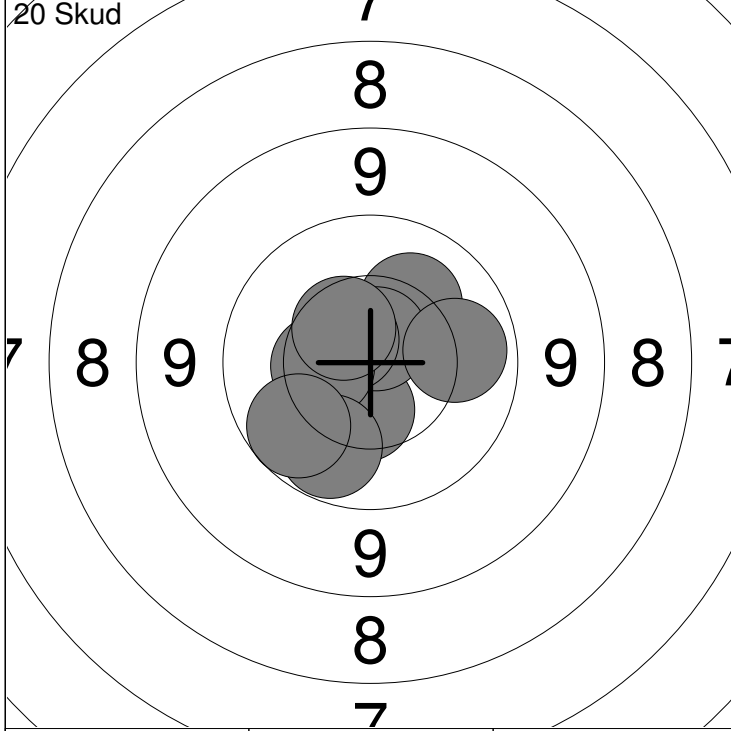
11:	10.4	←
12:	10.7x	↗
13:	10.5	→
14:	10.5	↓
15:	10.0	↗
16:	10.8x	↙
17:	10.1	←
18:	10.6x	↗
19:	9.9	↗
20:	10.6x	→

Serie	99
Total	197



1: 10.1 →	6: 10.0 →	Serie	98
2: 10.2 →	7: 10.0 ↑		
3: 10.2 ↗	8: 9.6 →	Total	0
4: 9.5 ↘	9: 10.1 →		
5: 10.5 ↗	10: 10.0 ↘		

11: 8.9 →	16: 10.4 ↑	Serie	57
12: 10.7x ←			
13: 10.2 →		Total	0
14: 9.7 →			
15: 10.8x ↗			

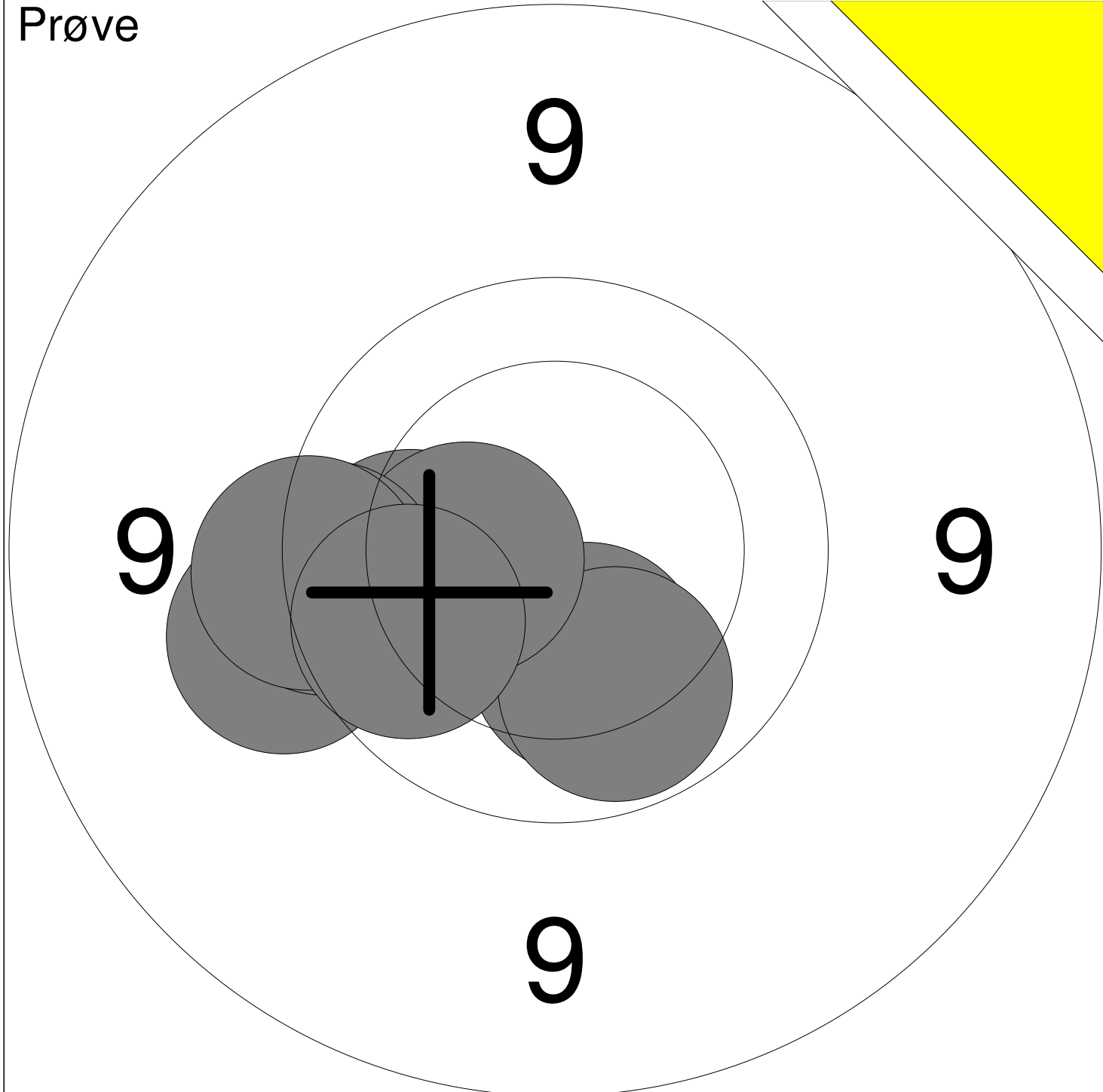


1: 10.2 ↗	6: 10.4 ←	Serie	99
2: 10.6x ←	7: 10.5 ↗		
3: 10.4 ↘	8: 10.0 ↘	Total	99
4: 10.7x ↑	9: 10.1 →		
5: 10.6x ↖	10: 9.9 ↘		

11: 10.8x ↘	16: 10.1 →	Serie	98
12: 10.2 ↘	17: 9.8 ↗		
13: 10.3 ↘	18: 10.6x ↘	Total	197
14: 10.6x ←	19: 9.9 ↑		
15: 10.7x →	20: 10.3 ↘		

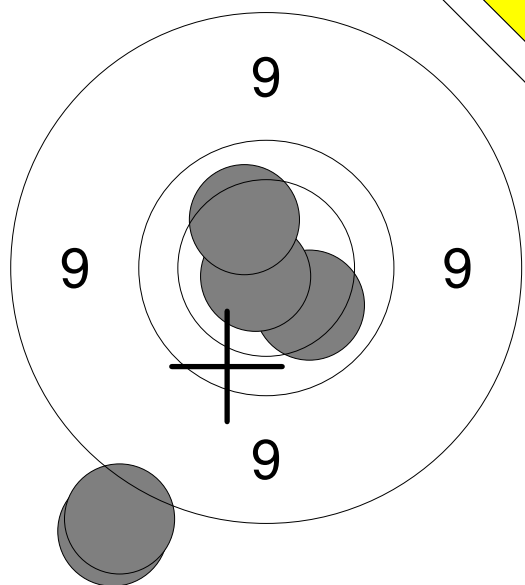
Hold 13	Skive 10	Nina Guldbæk Larsen	
Aalborg		Vodskov Skytteforening	J1
28.10.2017		15 meter riffelstævne 2017	Aalborg Skyttekreds

Prøve



1: 10.2	↓	6: 9.7	←	Serie	76
2: 10.0	↓	7: 9.6	←		
3: 9.5	←	8: 9.9	←	Total	0
4: 10.0	←				
5: 10.4	←				

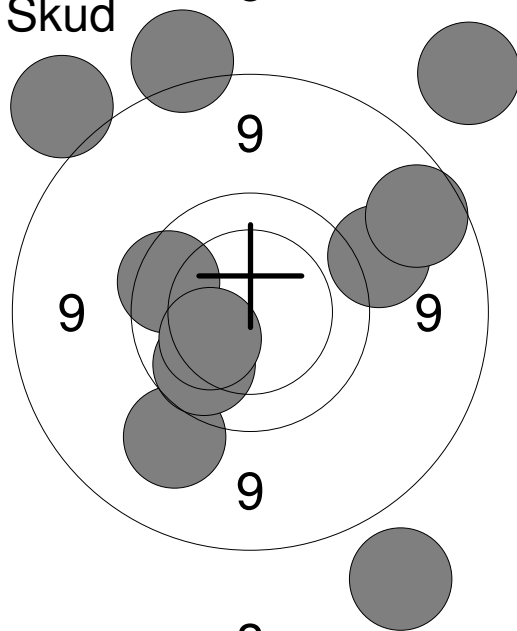
Prøve



1:	10.2	↘
2:	10.8x	↙
3:	10.2	↗
4:	8.4	↘
5:	8.5	↘

Serie	46
Total	0

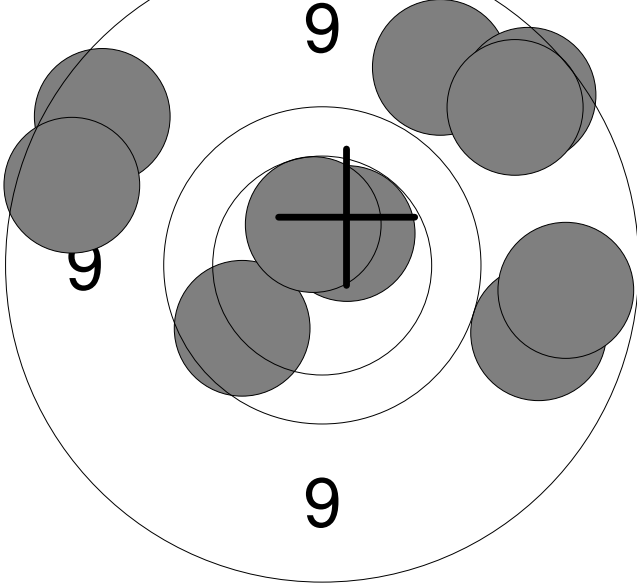
20 Skud



1:	9.3	→
2:	9.8	←
3:	8.2	↗
4:	8.5	↗
5:	8.6	↑
6:	9.3	↘
7:	8.3	↘
8:	9.9	↘
9:	8.9	↗
10:	10.2	↙

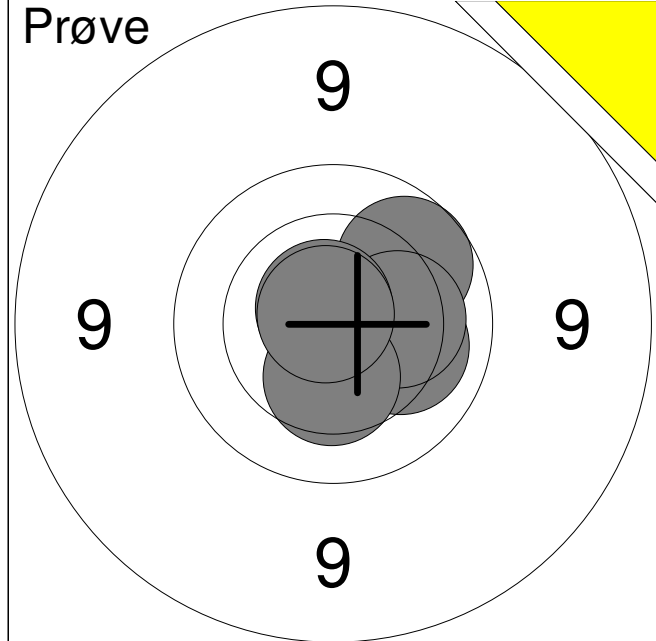
Serie	86
Total	86

20 Skud

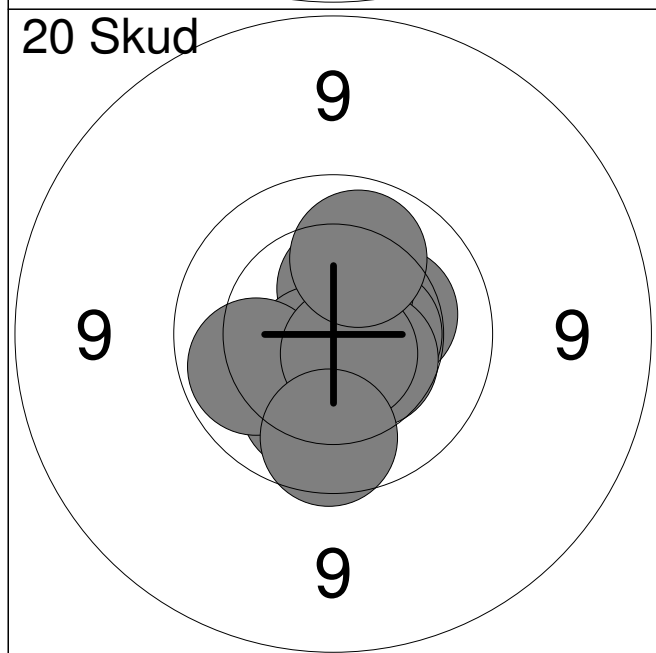


11:	10.5x	↗
12:	9.9	↙
13:	9.1	→
14:	9.0	→
15:	8.9	↗
16:	8.9	←
17:	9.1	↗
18:	8.9	↗
19:	8.9	↗
20:	10.5	↑

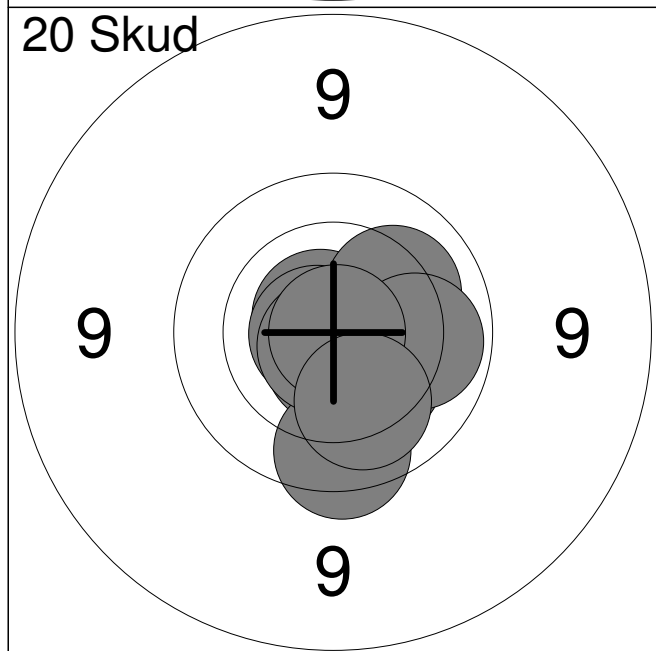
Serie	88
Total	174



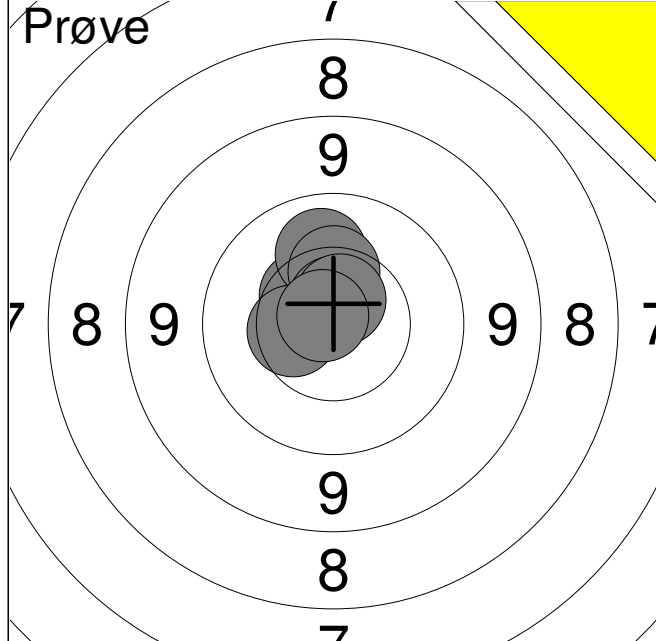
1:	10.2	→
2:	9.9	↗
3:	10.2	→
4:	10.4	↓
5:	10.7x	↗
6:	10.8x	↗
Serie		59
Total		0



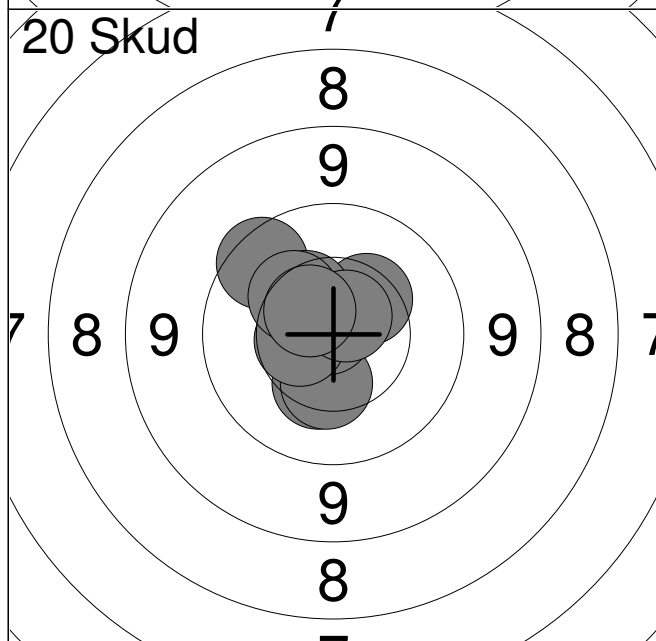
1:	10.1	↓
2:	10.3	→
3:	10.5x	→
4:	10.4	↑
5:	10.7x	↙
6:	10.5	↘
7:	10.0	←
8:	10.7x	↘
9:	9.9	↓
10:	10.1	↑
Serie		99
Total		99



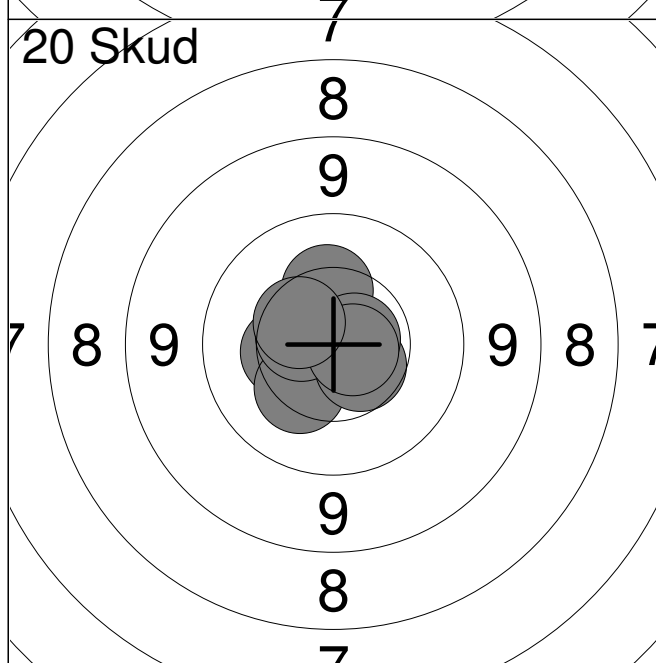
11:	10.7x	↗
12:	10.7x	↓
13:	10.2	↗
14:	10.3	↘
15:	10.8x	←
16:	9.8	↓
17:	10.0	→
18:	10.8x	↙
19:	10.9x	→
20:	10.1	↓
Serie		99
Total		198



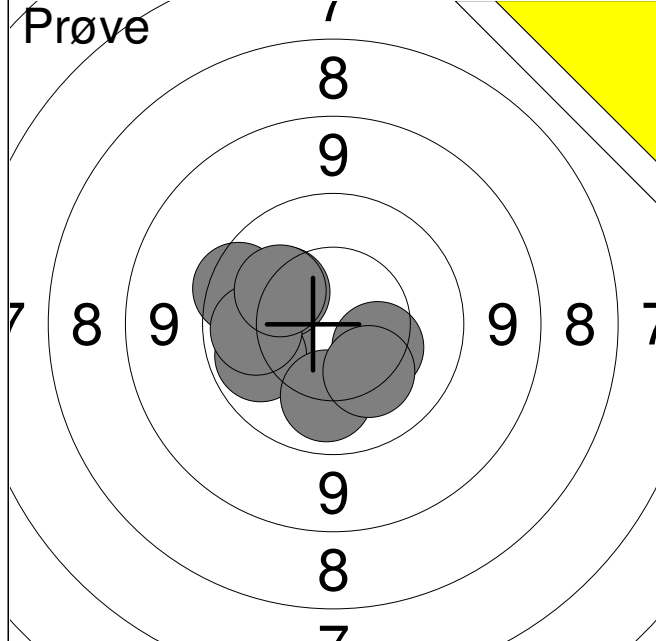
1:	10.6x	←
2:	10.5	↗
3:	10.1	↑
4:	10.3	↑
5:	10.7x	↑
6:	10.7x	↗
7:	10.5	←
8:	10.8x	↖
Serie		80
Total		0



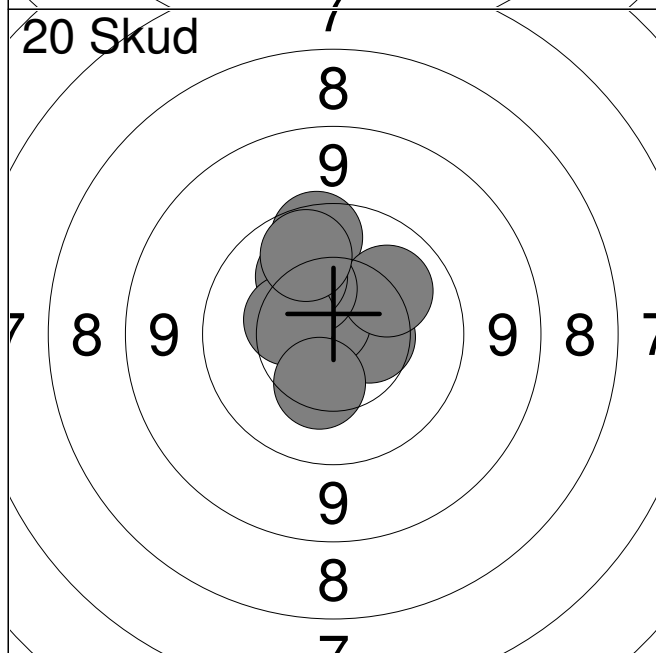
1:	10.3	↓
2:	10.4	↓
3:	10.9x	↗
4:	9.8	↗
5:	10.6	←
6:	10.4	↗
7:	10.4	↗
8:	10.7x	↗
9:	10.3	↗
10:	10.6	↗
Serie		99
Total		99



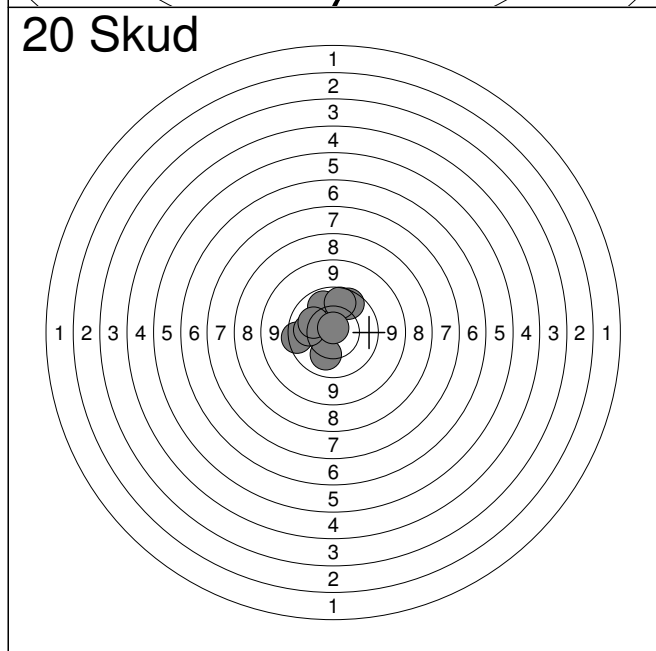
11:	10.8x	↑
12:	10.4	←
13:	10.3	↑
14:	10.7x	↓
15:	10.3	↓
16:	10.5	↓
17:	10.7x	→
18:	10.6	←
19:	10.7x	→
20:	10.5	↖
Serie		100
Total		199



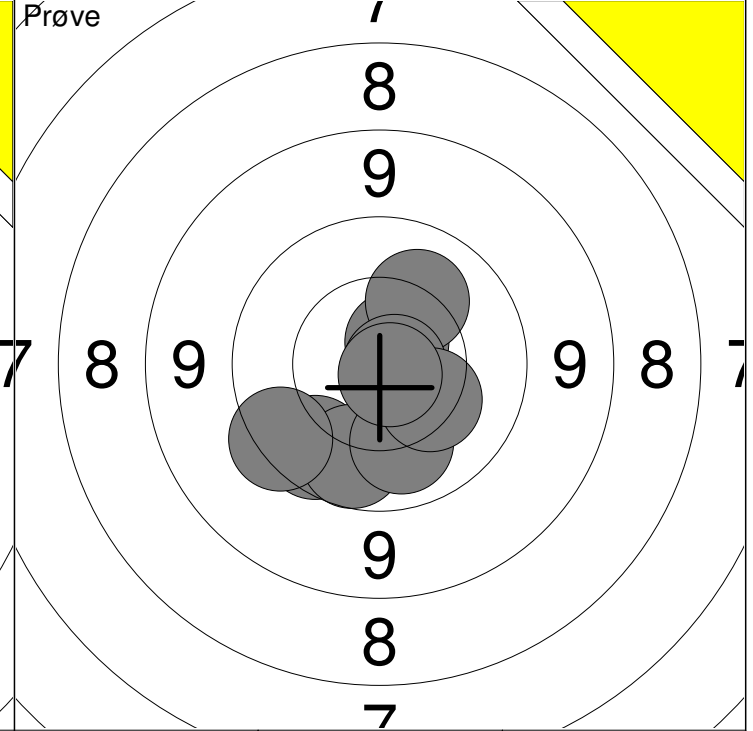
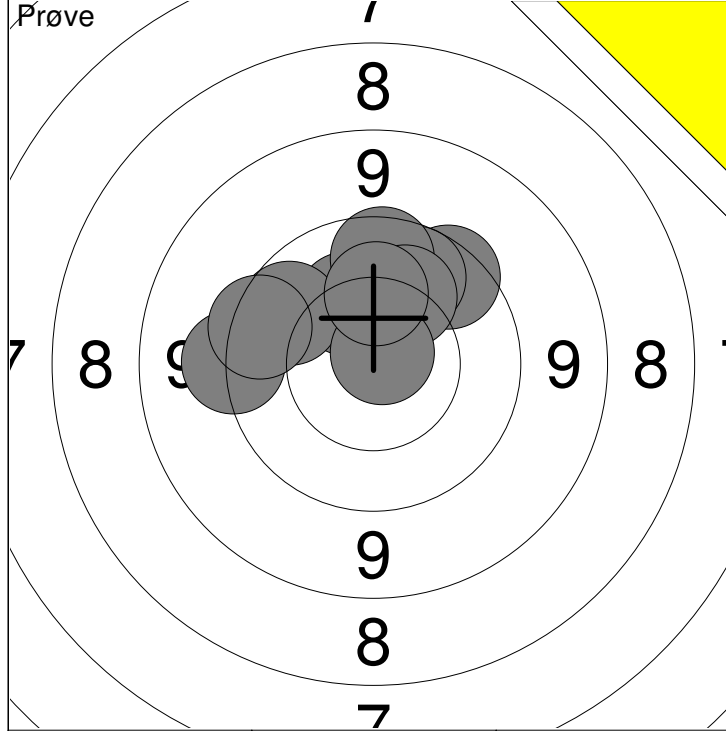
1:	9.7	↖
2:	10.1	↙
3:	10.3	↗
4:	10.0	↖
5:	10.0	↙
6:	10.1	↓
7:	10.2	↗
8:	10.4	↘
9:	10.2	↘
Serie	89	
Total	0	



1:	10.0	↑
2:	10.5	→
3:	10.8x	↗
4:	9.8	↑
5:	10.1	↗
6:	10.4	↗
7:	10.2	↗
8:	10.4	↖
9:	10.4	↓
10:	10.0	↑
Serie	99	
Total	99	

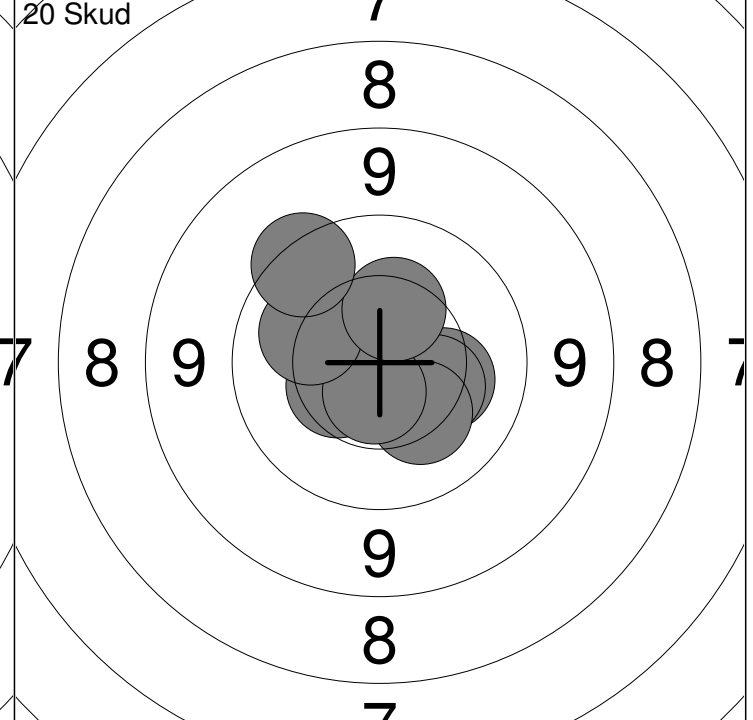
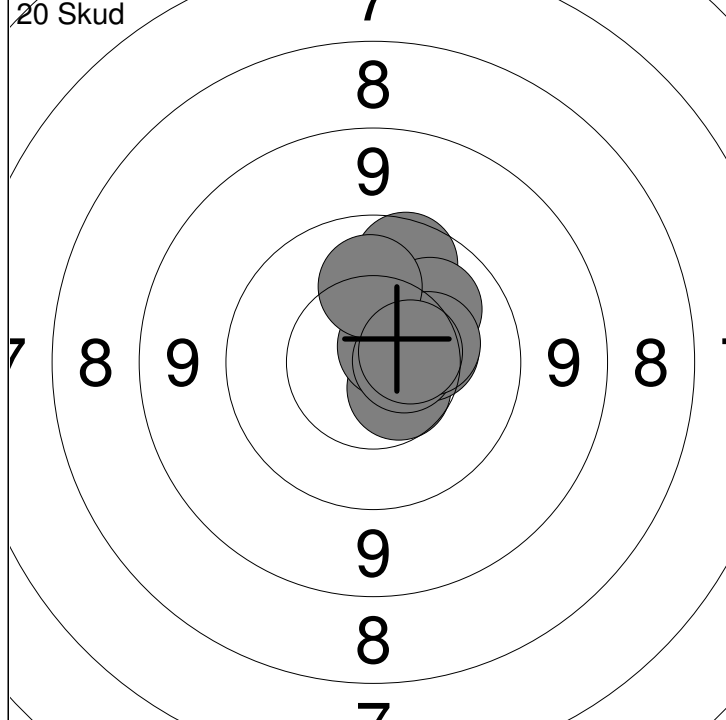


11:	9.7	↖
12:	10.0	↑
13:	10.7x	↗
14:	9.8	↗
15:	0.0	→
16:	10.2	↓
17:	10.1	↖
18:	9.9	↑
19:	10.2	↖
20:	10.8x	↑
Serie	87	
Total	186	



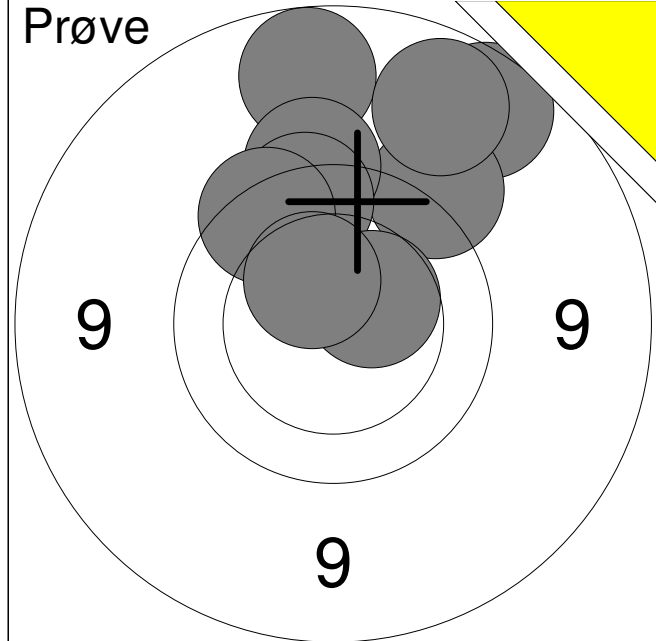
1: 9.7 ↗	6: 9.9 ↖	Serie 95
2: 10.3 ↖	7: 9.7 ↖	
3: 10.0 ↗	8: 10.2 ↗	Total 0
4: 9.8 ↑	9: 10.8x ↗	
5: 9.4 ←	10: 10.2 ↑	

11: 10.7x ↗	16: 10.2 ↗	Serie 87
12: 9.8 ↘	17: 10.8x →	
13: 9.9 ↓	18: 10.3 ↘	Total 0
14: 10.1 ↓	19: 10.8x ↘	
15: 9.6 ↙		

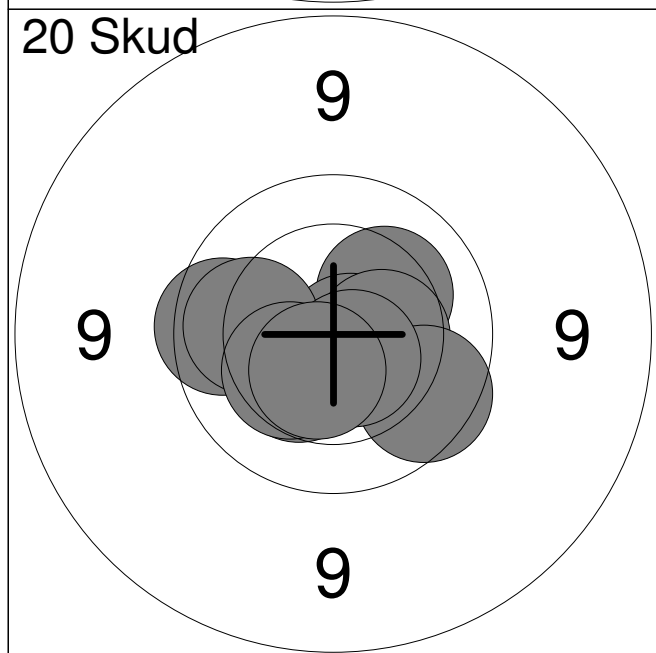


1: 10.5 ↗	6: 10.4 →	Serie 99
2: 9.9 ↑	7: 10.6x →	
3: 10.6 ↘	8: 10.3 →	Total 99
4: 10.1 ↗	9: 10.2 ↑	
5: 10.7x ↗	10: 10.5 →	

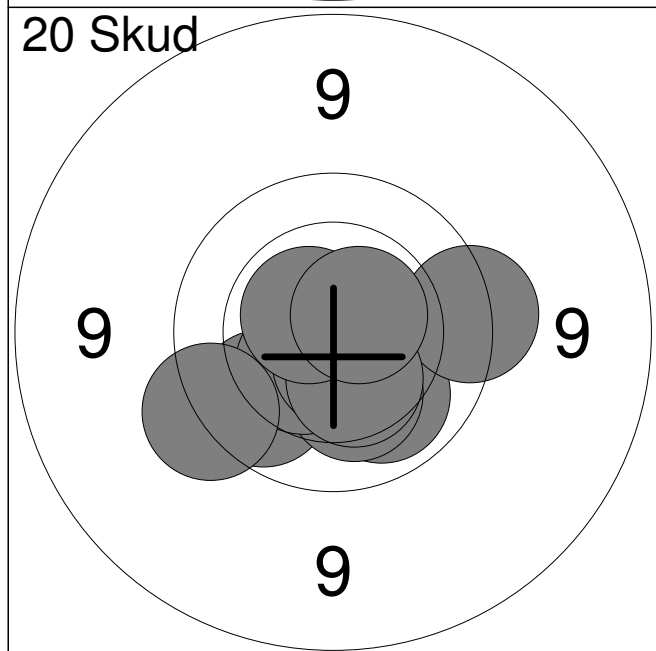
11: 10.6x ↖	16: 10.3 ↘	Serie 99
12: 10.3 →	17: 10.6x ↘	
13: 10.7x ↘	18: 10.2 ↖	Total 198
14: 10.3 →	19: 10.4 ↑	
15: 10.5 ↙	20: 9.6 ↖	



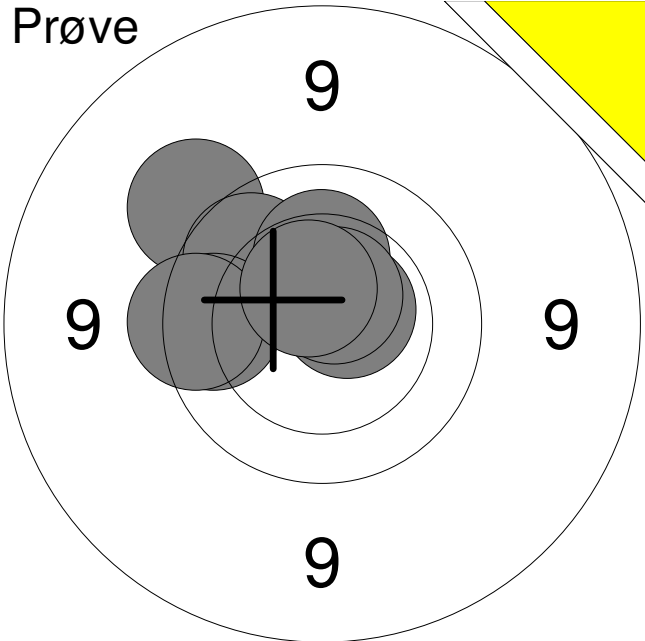
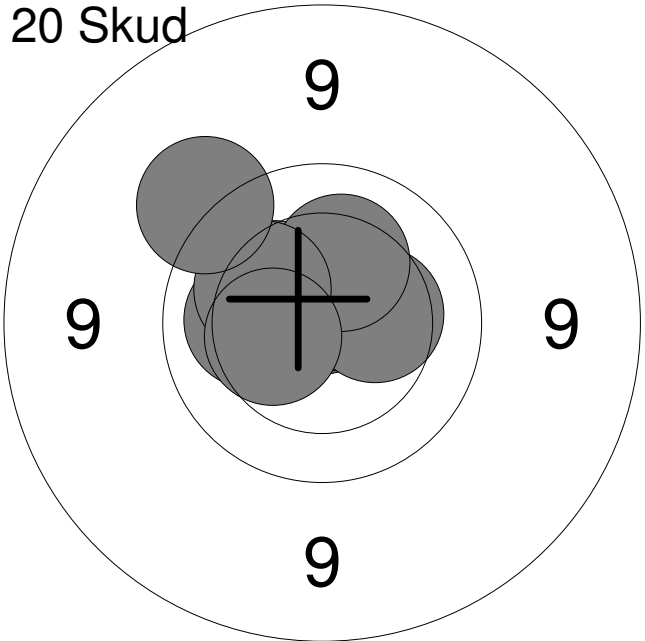
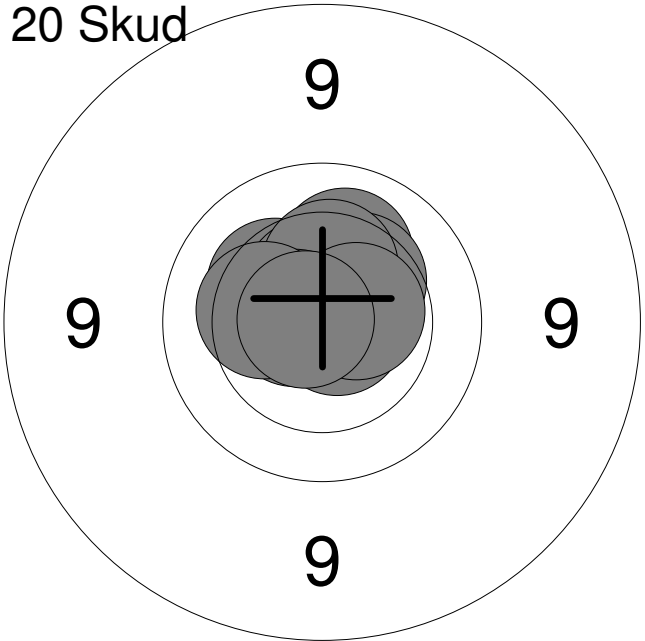
1:	8.9	↗
2:	9.5	↗
3:	9.0	↑
4:	9.0	↗
5:	9.5	↑
6:	9.7	↑
7:	9.7	↗
8:	10.4	↗
9:	10.4	↗
Serie	82	
Total	0	

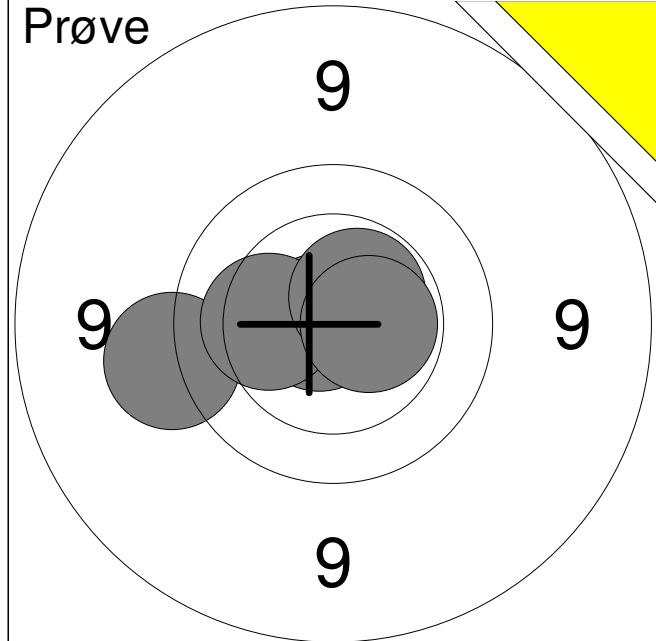


1:	10.2	↗
2:	10.7x	→
3:	10.4	→
4:	9.8	←
5:	10.4	↙
6:	10.0	←
7:	10.3	↙
8:	9.8	↘
9:	10.6x	↘
10:	10.5x	↘
Serie	98	
Total	98	

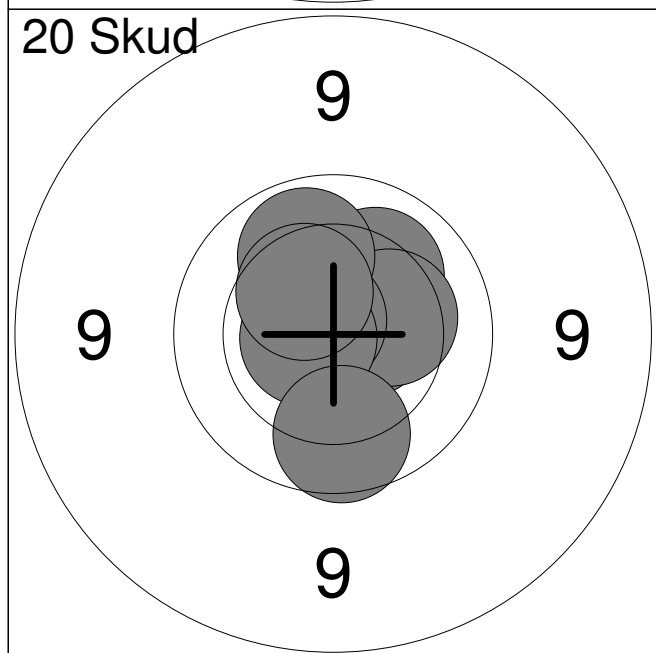


11:	10.1	↘
12:	9.9	↙
13:	10.2	↘
14:	9.7	→
15:	10.5	↙
16:	10.6x	↘
17:	9.6	←
18:	10.4	↘
19:	10.6x	↗
20:	10.6x	↗
Serie	97	
Total	195	

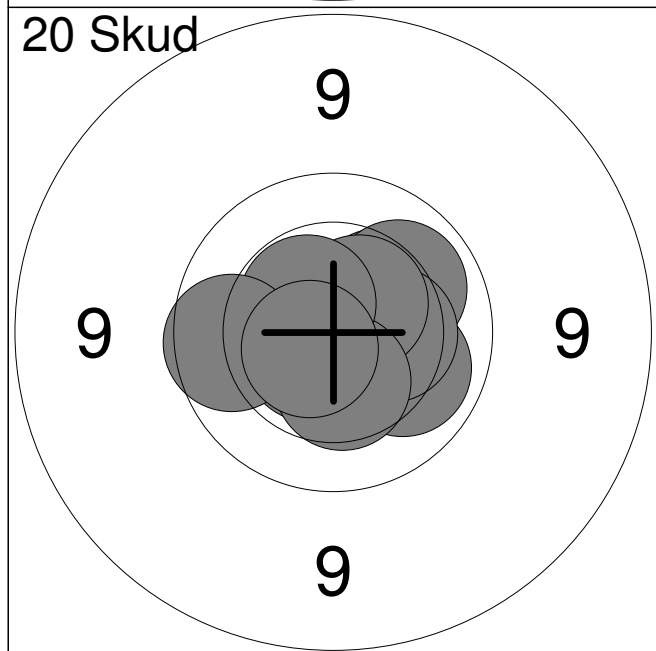
Hold	Skive	Isabella Bonde		
14	6	Aalborg	Vodskov Skytteforening	BK1
28.10.2017	15 meter riffelstævne 2017	Aalborg Skyttekreds		
Prøve		1:	9.4	↖
		2:	9.9	↖
		3:	9.8	←
		4:	9.7	←
		5:	10.6x	↗
		6:	10.2	↑
		7:	10.6x	↗
		8:	10.5x	↖
		Serie		76
		Total		0
20 Skud		1:	10.3	↖
		2:	10.8x	↑
		3:	10.2	←
		4:	10.7x	↗
		5:	10.4	→
		6:	10.3	↖
		7:	10.3	↗
		8:	10.2	↖
		9:	9.5	↗
		10:	10.4	←
		Serie		99
		Total		99
20 Skud		11:	10.2	↗
		12:	10.3	↖
		13:	10.3	↗
		14:	10.5x	↗
		15:	10.3	↗
		16:	10.6x	←
		17:	10.3	←
		18:	10.8x	→
		19:	10.6x	→
		20:	10.8x	←
		Serie		100
		Total		199



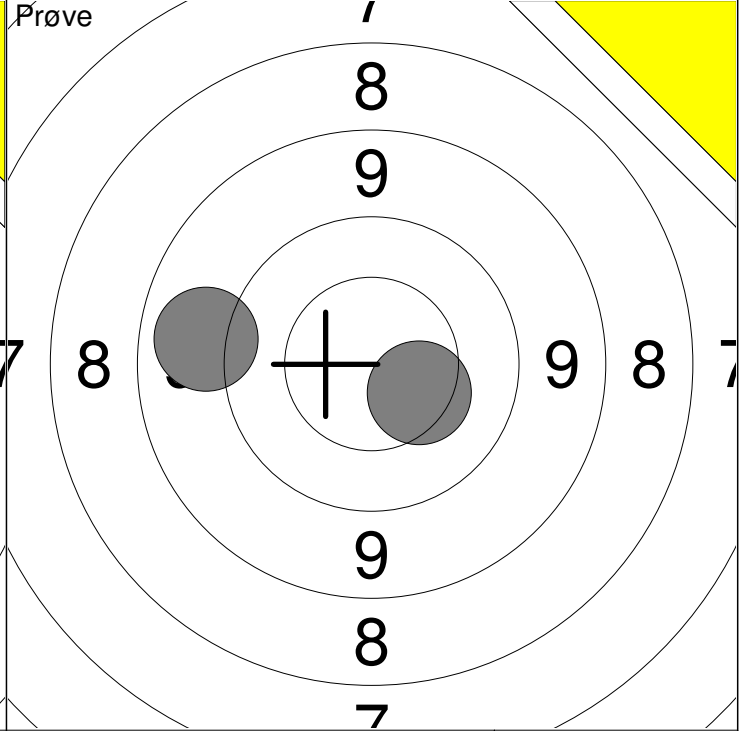
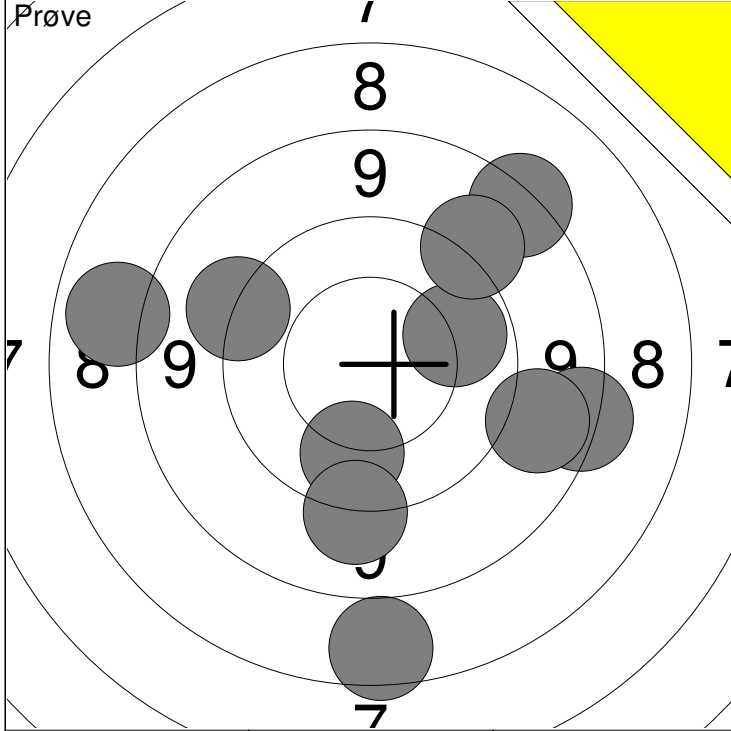
1:	10.8x	←
2:	9.5	←
3:	10.2	←
4:	10.5x	↗
5:	10.6x	→
Serie		49
Total		0



1:	10.6x	→
2:	10.5	↗
3:	10.4	↑
4:	10.2	↗
5:	10.3	→
6:	10.7x	↗
7:	10.7x	←
8:	9.9	↓
9:	10.0	↑
10:	10.4	↗
Serie		99
Total		99

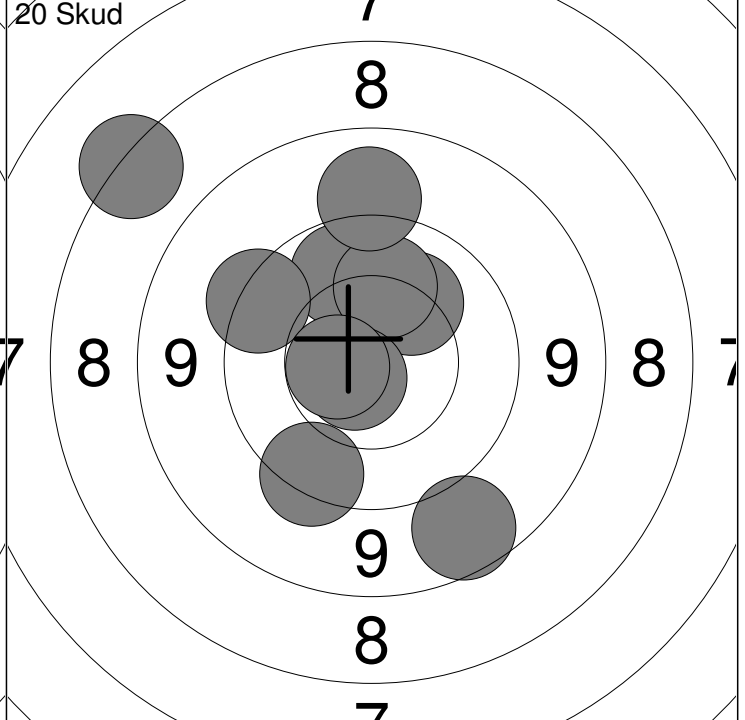
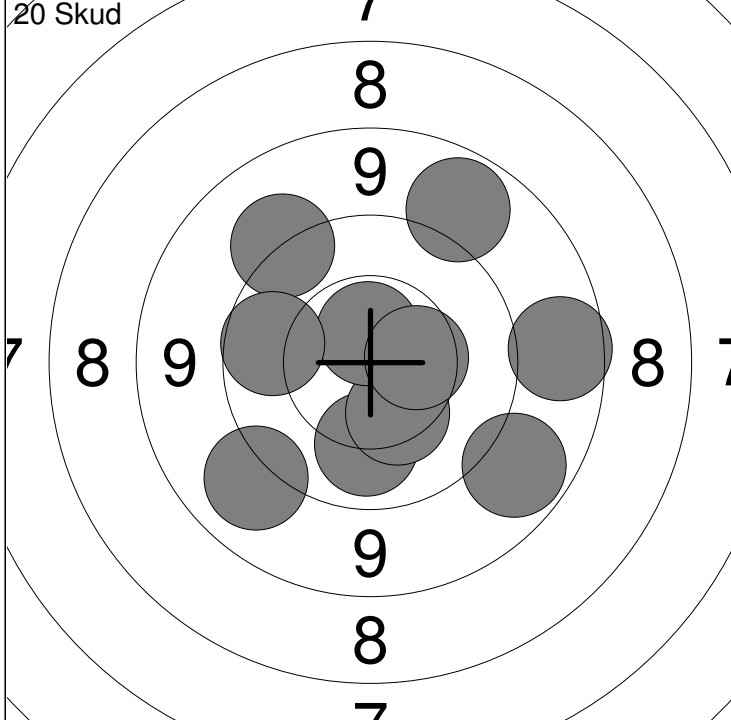


11:	10.1	↘
12:	10.3	↗
13:	10.1	↗
14:	10.6x	↙
15:	10.3	→
16:	10.5x	↗
17:	10.4	↓
18:	10.5x	↗
19:	9.9	←
20:	10.6x	↙
Serie		99
Total		198



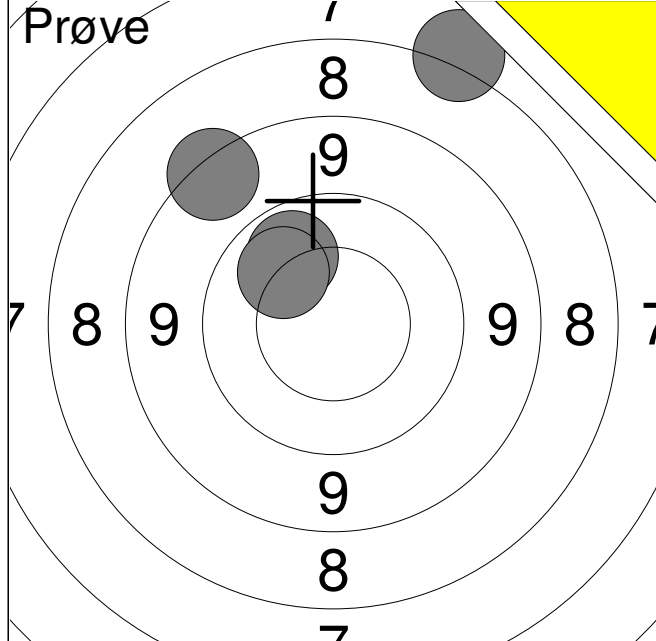
1: 7.8 ↓	6: 9.3 ↗	Serie 87
2: 8.5 →	7: 9.0 →	
3: 10.0 →	8: 10.0 ↓	Total 0
4: 8.5 ↗	9: 8.1 ←	
5: 9.4 ←	10: 9.3 ↓	

11: 9.1 ←	Serie 19
12: 10.4 ↘	
	Total 0

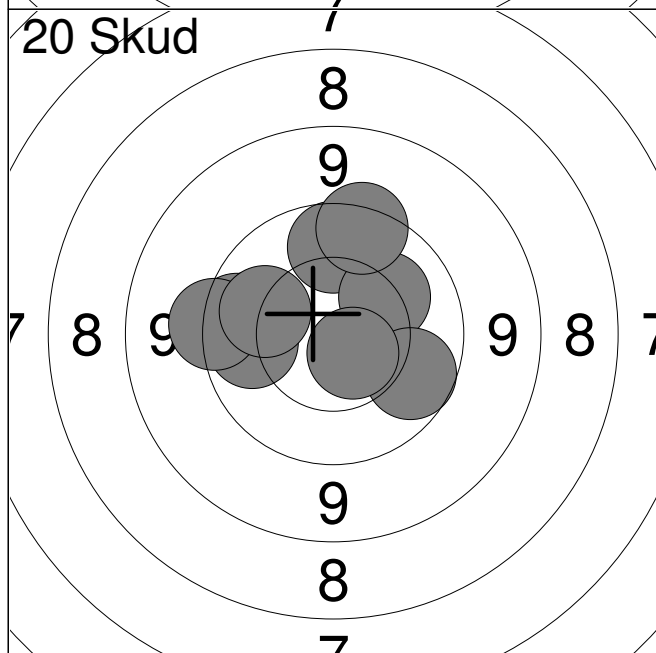


1: 9.2 ↙	6: 10.6x ↑	Serie 93
2: 10.1 ↓	7: 8.9 →	
3: 9.0 ↘	8: 9.9 ←	Total 93
4: 9.4 ↗	9: 10.5 →	
5: 10.3 ↓	10: 9.0 ↗	

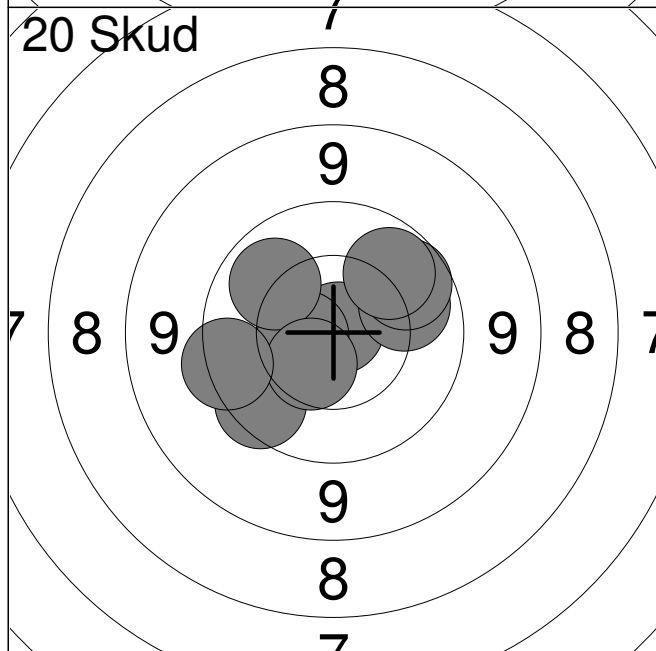
11: 10.2 ↗	16: 9.6 ↙	Serie 92
12: 7.5 ↙	17: 9.6 ↓	
13: 10.0 ↗	18: 10.7x ↘	Total 185
14: 10.1 ↑	19: 8.9 ↓	
15: 9.2 ↑	20: 10.6 ←	



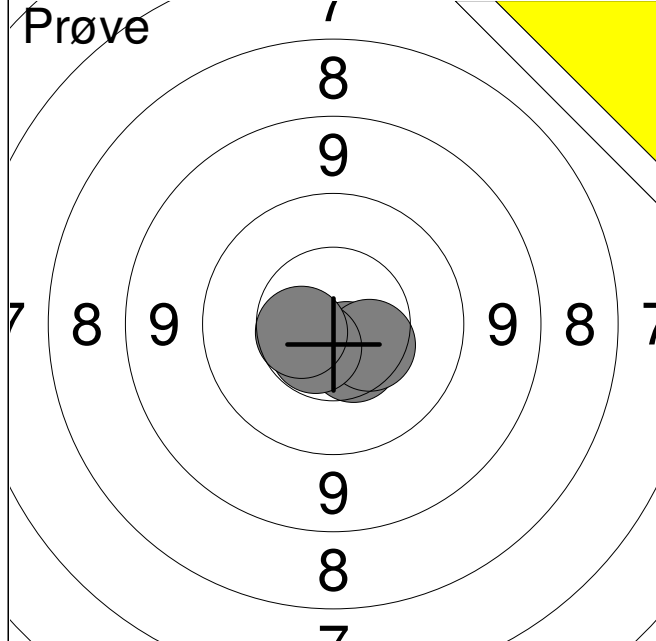
1:	7.2	↗
2:	8.6	↗
3:	10.0	↗
4:	10.1	↗
Serie		35
Total		0



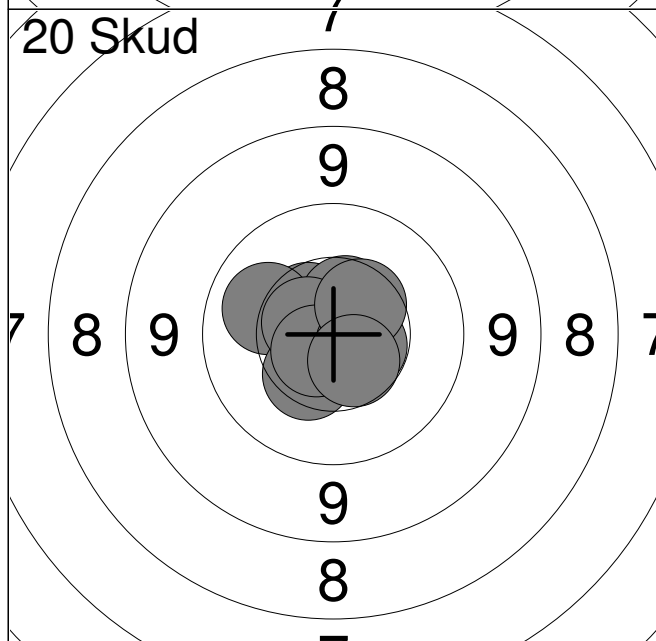
1:	10.0	←
2:	9.8	←
3:	10.0	←
4:	9.9	↑
5:	9.5	←
6:	10.1	←
7:	10.2	↗
8:	9.9	↘
9:	9.6	↑
10:	10.6x	↘
Serie		95
Total		95



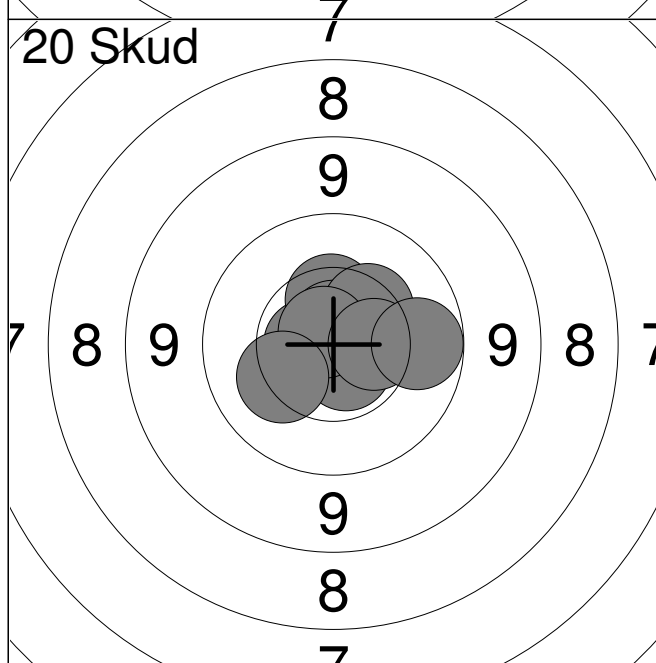
11:	10.0	↗
12:	10.9x	↗
13:	10.0	→
14:	10.6x	←
15:	9.9	↗
16:	10.0	↗
17:	10.1	↖
18:	9.7	↘
19:	10.5	↘
20:	9.6	←
Serie		97
Total		192



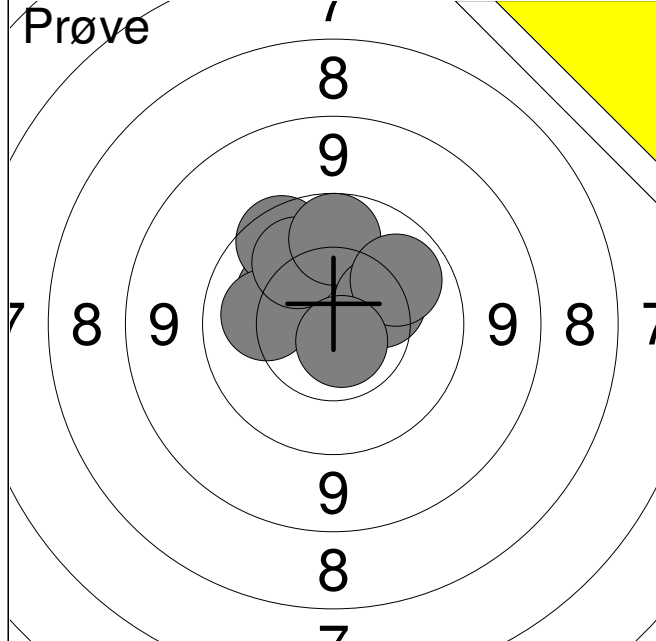
1:	10.6x	↘
2:	10.5	↘
3:	10.5	↘
4:	10.6x	↘
5:	10.6	←
Serie		50
Total		0



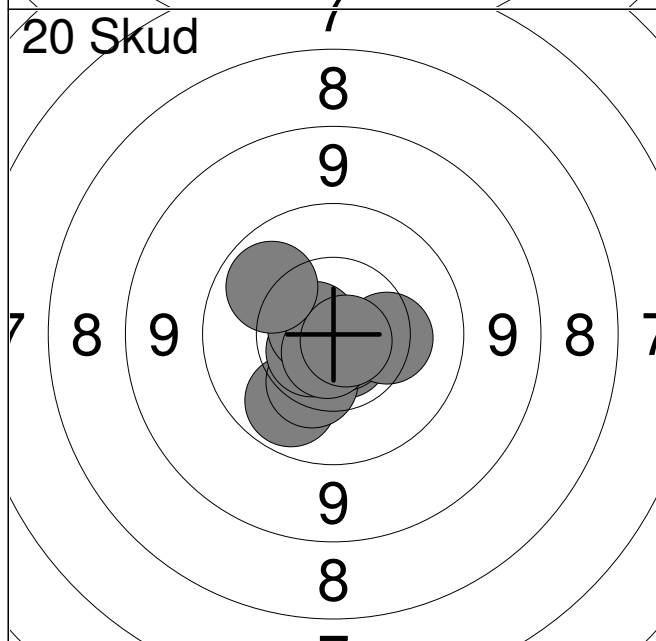
1:	10.8x	←
2:	10.5	↗
3:	10.1	↖
4:	10.4	↘
5:	10.5	↗
6:	10.6x	↖
7:	10.7x	↘
8:	10.6x	↗
9:	10.5	↗
10:	10.6	↘
Serie		100
Total		100



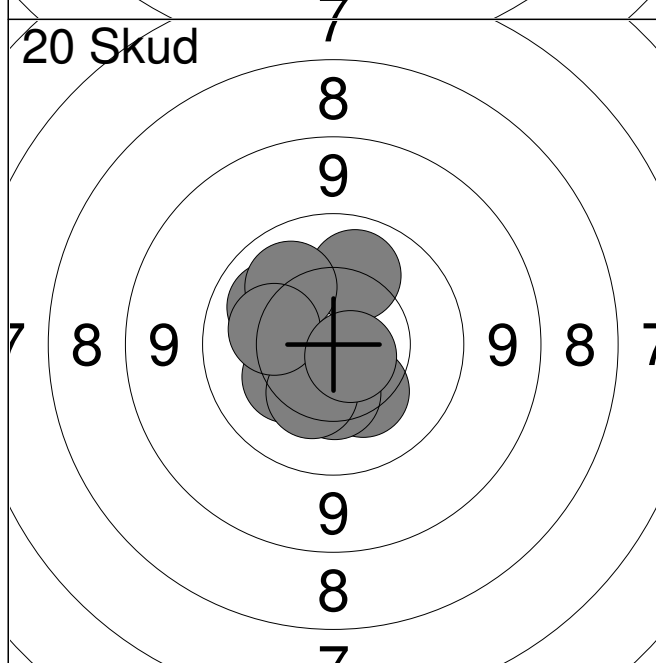
11:	10.7x	←
12:	10.4	↑
13:	10.5	→
14:	10.7x	↑
15:	10.4	↗
16:	10.7x	↘
17:	10.8x	↗
18:	10.5	→
19:	10.0	→
20:	10.2	↘
Serie		100
Total		200



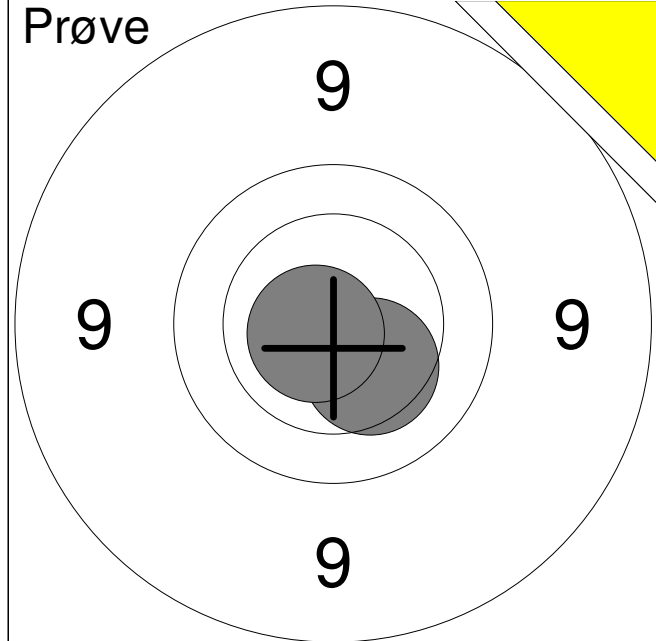
1:	10.3	↗
2:	9.8	↗
3:	10.2	←
4:	10.1	↗
5:	9.9	↑
6:	10.3	↗
7:	10.1	↗
8:	10.7x	↓
Serie		78
Total		0



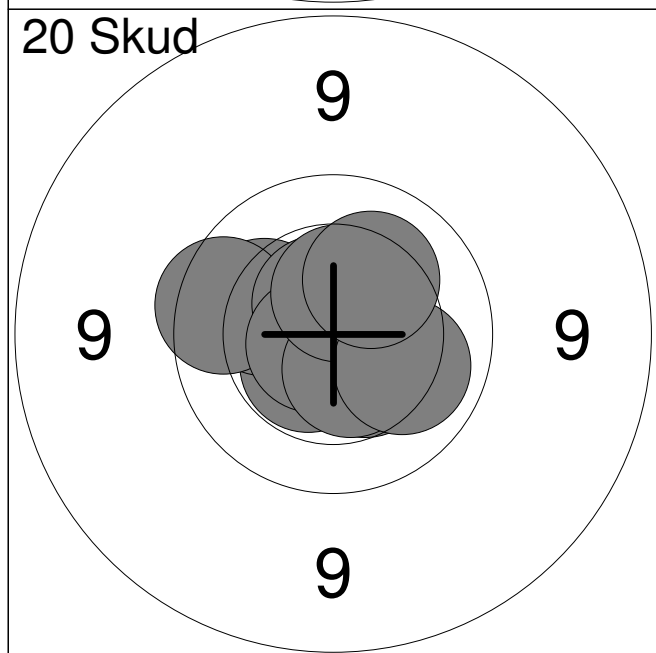
1:	10.7x	↓
2:	10.0	↓
3:	10.3	↓
4:	10.8x	↓
5:	10.3	→
6:	10.6x	←
7:	10.7x	↖
8:	10.7x	↓
9:	10.8x	↓
10:	10.0	↖
Serie		100
Total		100



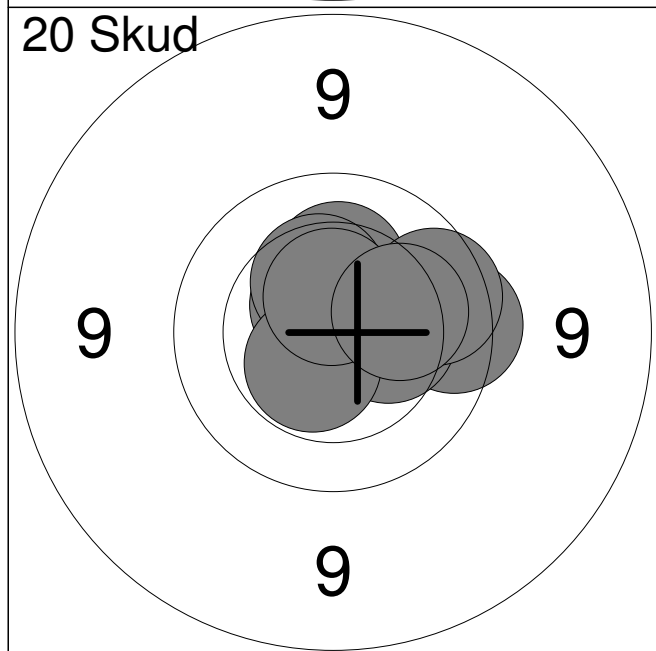
11:	10.1	↖
12:	10.4	↓
13:	10.1	↖
14:	10.1	↖
15:	10.3	←
16:	10.3	↓
17:	10.4	↓
18:	10.3	↓
19:	10.2	←
20:	10.7x	↓
Serie		100
Total		200



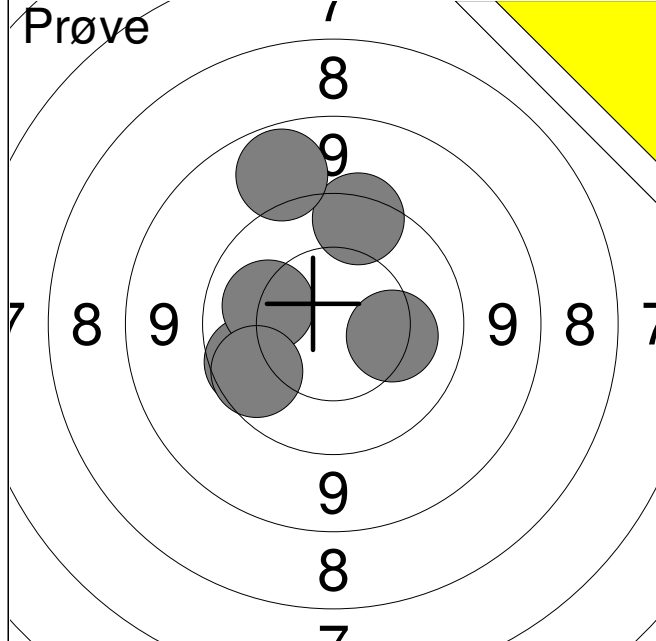
	1:	10.3	↘
	2:	10.7x	↙
Serie 20			
Total 0			



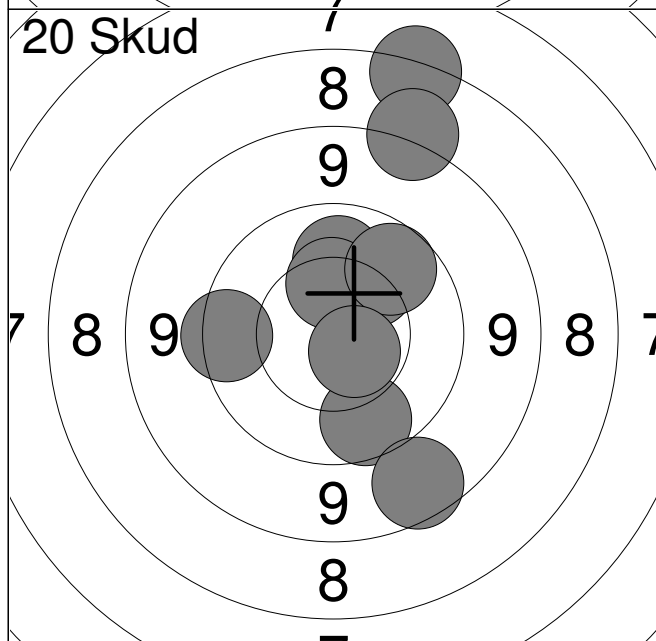
	1:	10.5x	↙
	2:	10.1	↖
	3:	9.8	↖
	4:	10.6x	↗
	5:	10.7x	↙
	6:	10.4	↘
	7:	10.5x	↘
	8:	10.5x	↗
	9:	10.1	↘
	10:	10.2	↗
Serie 99			
Total 99			



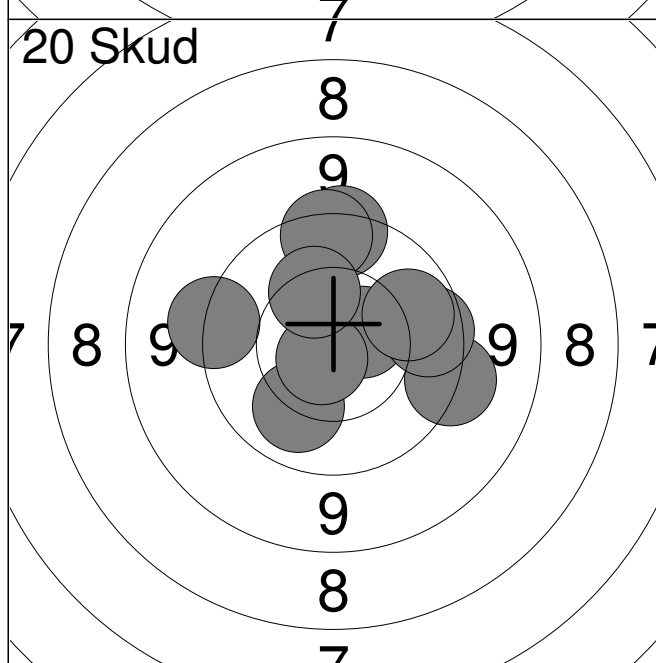
	11:	10.3	↗
	12:	9.8	→
	13:	10.7x	↗
	14:	10.3	→
	15:	10.6x	↗
	16:	10.4	↗
	17:	10.5x	↘
	18:	10.6x	↗
	19:	9.9	→
	20:	10.2	→
Serie 98			
Total 197			



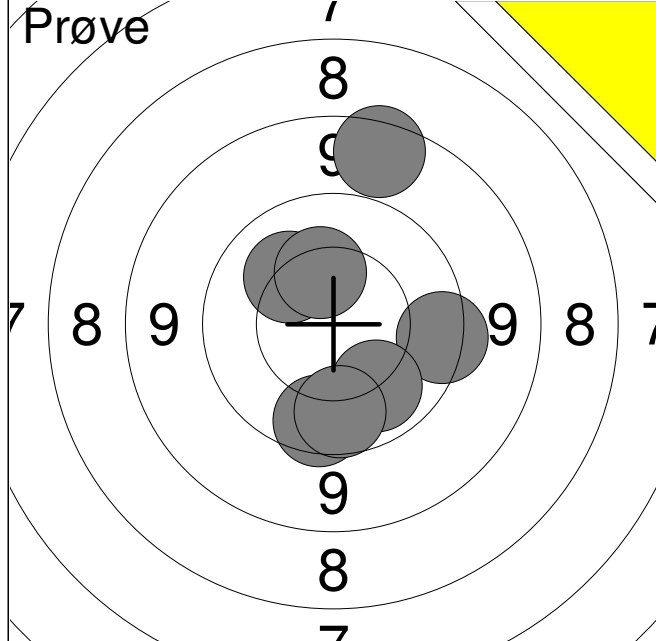
1:	9.9	↙
2:	10.2	↙
3:	9.7	↑
4:	9.9	↙
5:	10.2	→
6:	9.0	↑
Serie	56	
Total	0	



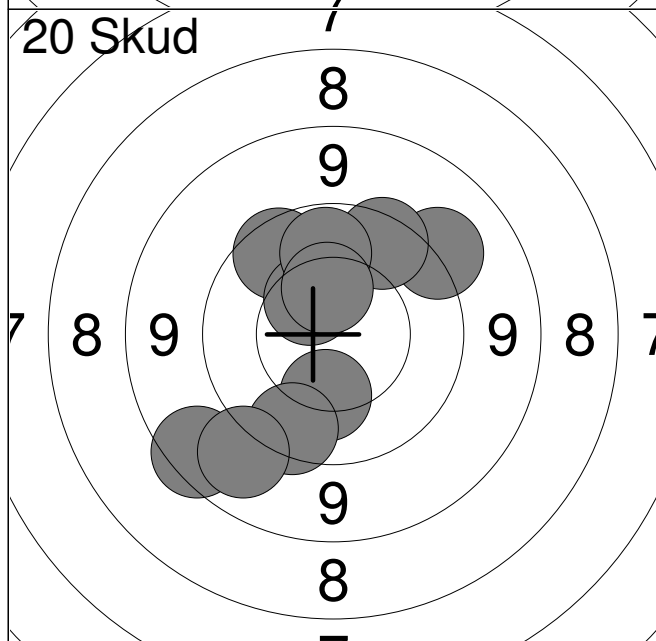
1:	10.2	↗
2:	7.5	↑
3:	10.1	↑
4:	10.4	↑
5:	9.9	↓
6:	8.3	↑
7:	8.8	↓
8:	9.9	↗
9:	9.7	↙
10:	10.6x	↘
Serie	90	
Total	90	



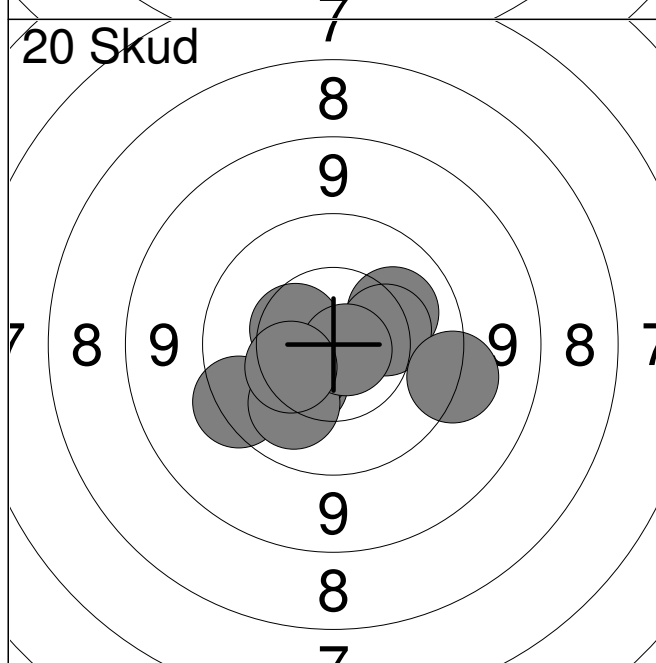
11:	10.6	→
12:	9.6	↑
13:	9.5	→
14:	9.8	→
15:	9.5	↙
16:	10.0	→
17:	9.6	↑
18:	10.1	↘
19:	10.7x	↙
20:	10.3	↑
Serie	95	
Total	185	



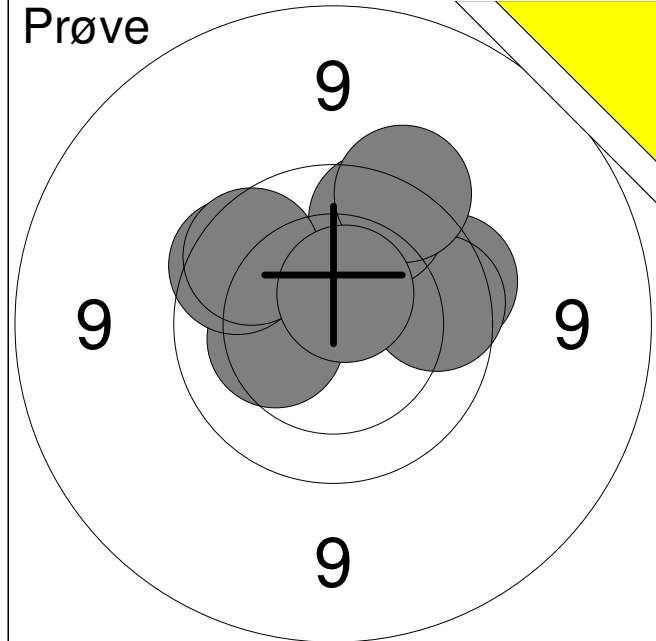
1:	9.6	→
2:	10.2	↗
3:	9.8	↓
4:	10.1	↘
5:	9.9	↓
6:	8.7	↗
7:	10.3	↗
Serie		65
Total		0



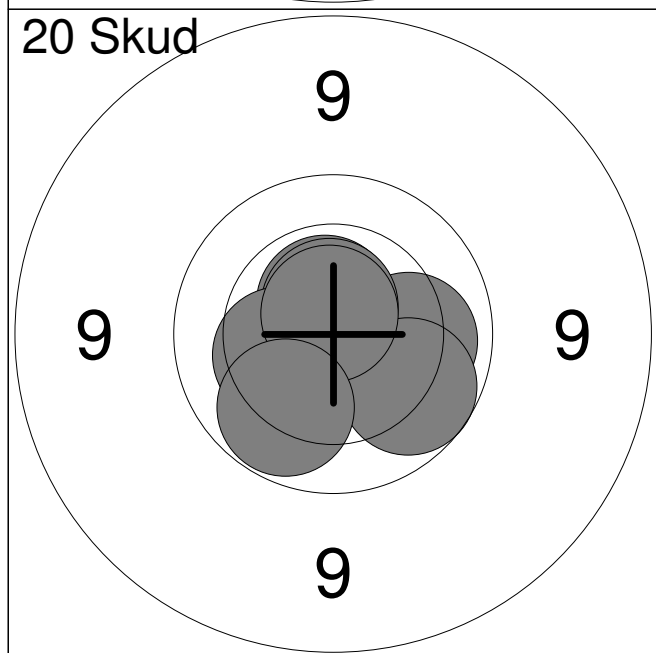
1:	9.3	↗
2:	9.7	↗
3:	9.8	↗
4:	10.2	↓
5:	8.7	↙
6:	9.7	↓
7:	9.1	↙
8:	10.5	↗
9:	10.0	↑
10:	10.4	↑
Serie		93
Total		93



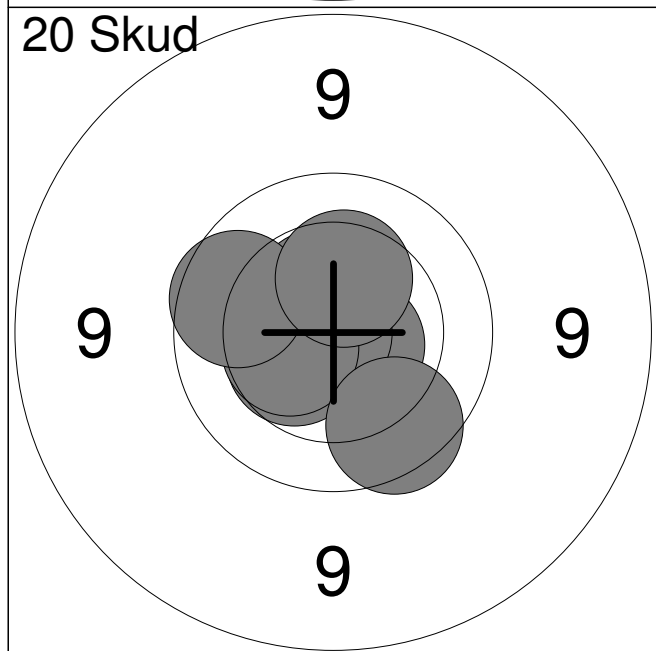
11:	10.2	↗
12:	10.3	→
13:	10.4	↘
14:	10.5	↘
15:	9.6	↙
16:	10.1	↘
17:	10.5	↖
18:	10.8x	→
19:	9.4	→
20:	10.4	↙
Serie		98
Total		191



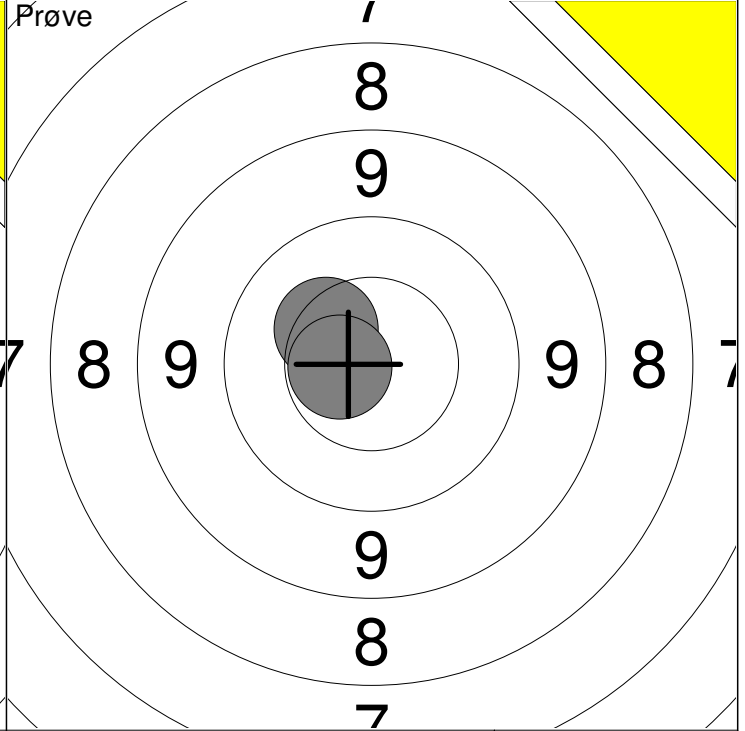
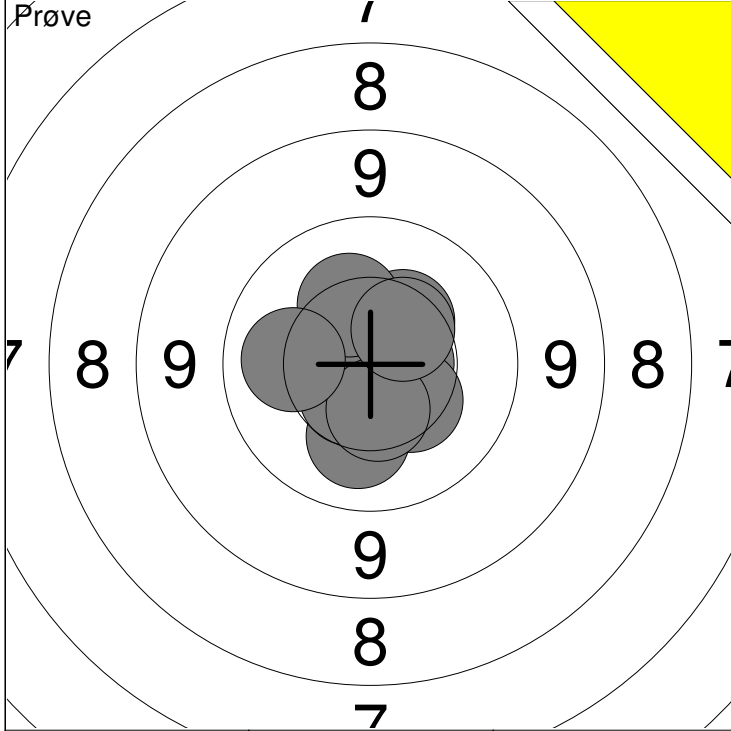
1:	9.7	→
2:	9.9	→
3:	9.8	↑
4:	9.6	↑
5:	10.3	←
6:	9.8	↖
7:	9.9	↗
8:	10.6x	↑
Serie		74
Total		0



1:	10.6x	↑
2:	10.1	→
3:	10.5x	←
4:	10.6x	↑
5:	10.8x	←
6:	10.3	←
7:	9.9	↘
8:	10.3	←
9:	10.7x	↑
10:	10.0	↘
Serie		99
Total		99

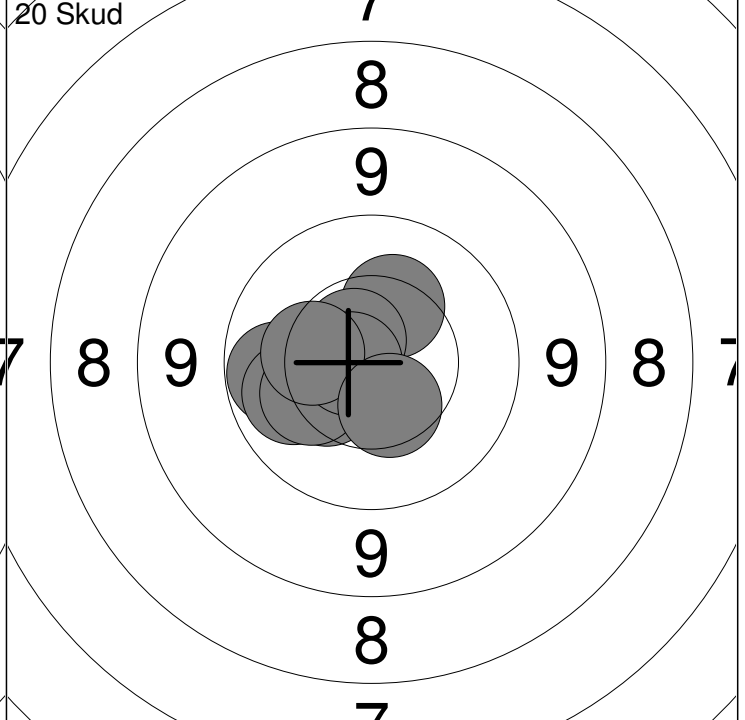
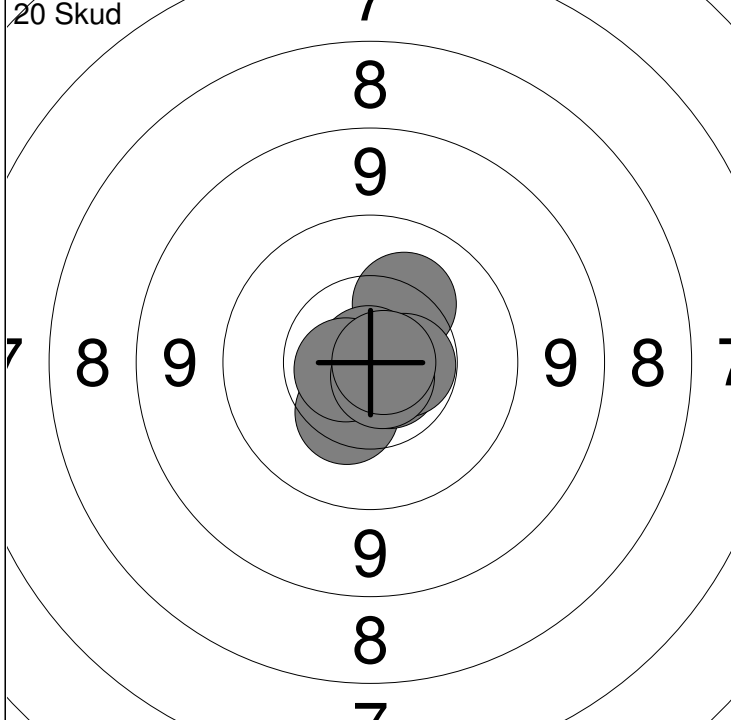


11:	10.5x	↑
12:	10.8x	↘
13:	10.7x	↘
14:	10.4	←
15:	10.5x	←
16:	10.8x	←
17:	10.4	←
18:	9.9	↖
19:	10.3	↑
20:	9.8	↘
Serie		98
Total		197



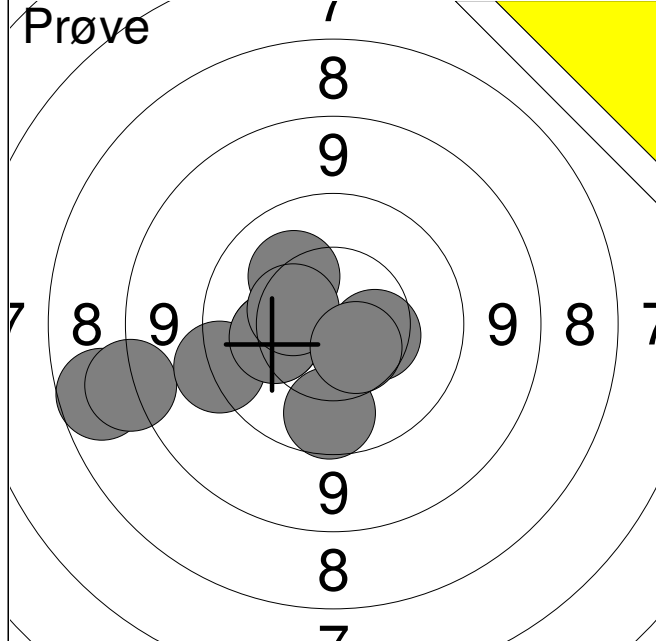
1: 10.6x →	6: 10.5 ↓	Serie	100
2: 10.6 ↘	7: 10.4 ↗		
3: 10.4 ↘	8: 10.3 ↑	Total	0
4: 10.2 ↓	9: 10.5 ↗		
5: 10.6 ↙	10: 10.1 ←		

11: 10.4 ↖	Serie	20
12: 10.6x ←		
	Total	0

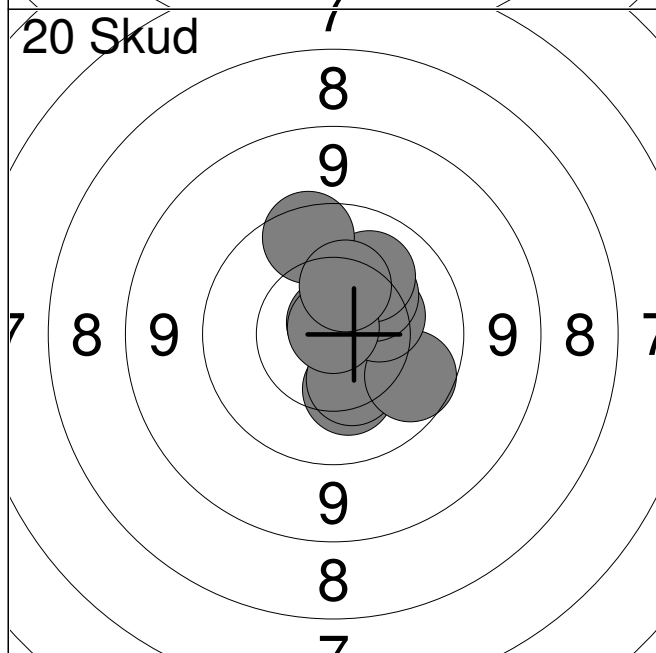


1: 10.2 ↗	6: 10.7x ←	Serie	100
2: 10.8x ↘	7: 10.7x ↘		
3: 10.9x ↑	8: 10.6x →	Total	100
4: 10.9x ↗	9: 10.8x ↘		
5: 10.4 ↓	10: 10.8x →		

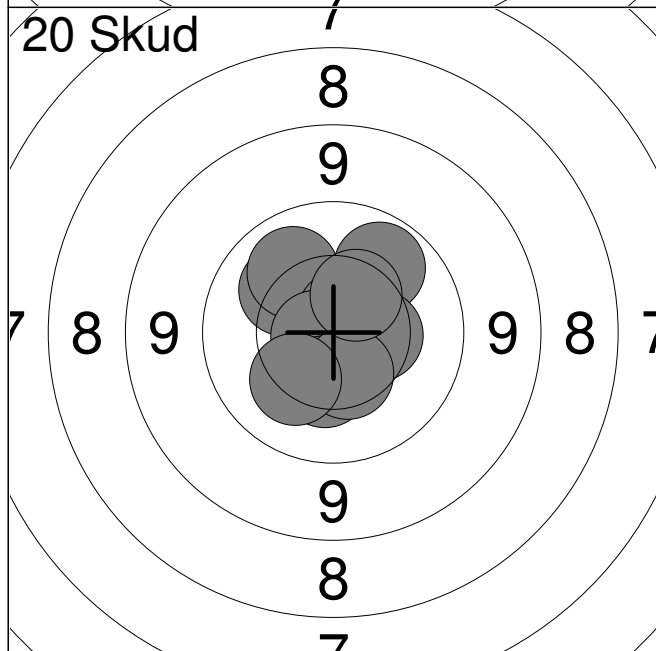
11: 10.0 ←	16: 10.3 ↗	Serie	100
12: 10.1 ←	17: 10.7x ↗		
13: 10.5 ←	18: 10.7x ←	Total	200
14: 10.4 ↙	19: 10.3 ←		
15: 10.2 ←	20: 10.5 ↓		



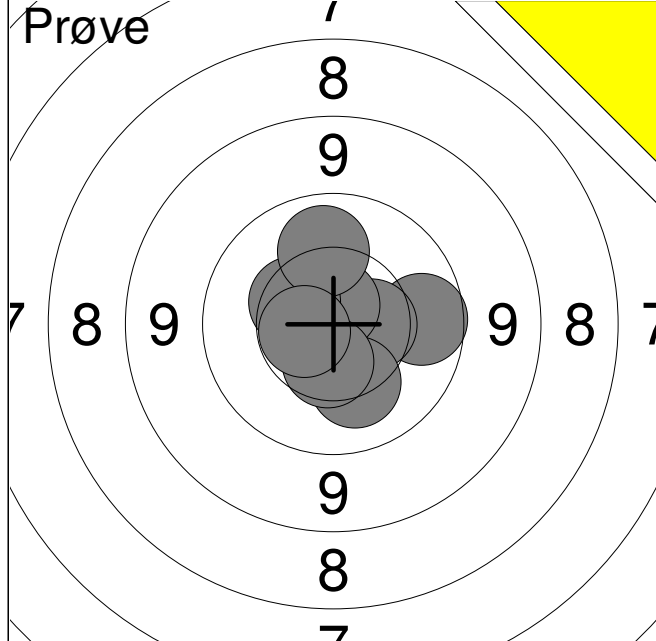
1:	7.9	←
2:	8.3	←
3:	9.5	←
4:	10.2	↗
5:	10.3	←
6:	10.2	←
7:	10.4	↖
8:	9.9	↓
9:	10.4	→
10:	10.6	↘
Serie	93	
Total	0	



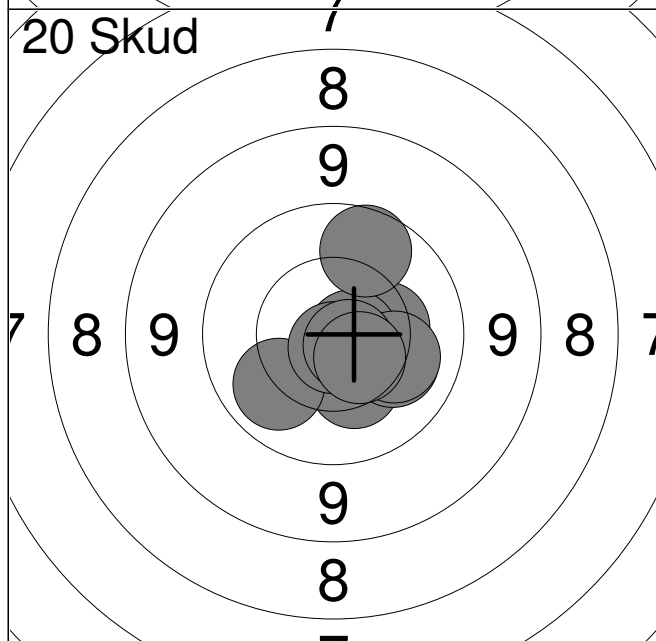
1:	10.3	↓
2:	10.4	↓
3:	9.9	↘
4:	10.4	↗
5:	10.8x	↑
6:	10.3	↗
7:	10.1	↗
8:	10.9x	↑
9:	9.7	↑
10:	10.4	↑
Serie	98	
Total	98	



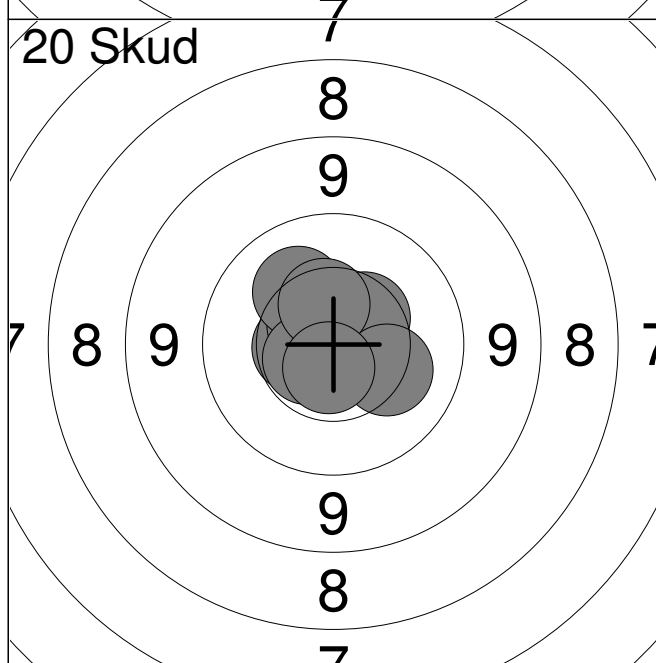
11:	10.2	↖
12:	10.1	↖
13:	10.7x	↗
14:	10.7x	←
15:	10.0	↗
16:	10.4	↓
17:	10.4	→
18:	10.4	↓
19:	10.4	↗
20:	10.2	↘
Serie	100	
Total	198	



1:	9.9	→
2:	10.5	→
3:	10.2	↓
4:	10.7x	↑
5:	10.4	↗
6:	10.1	↑
7:	10.5	↓
8:	10.6x	←
Serie		79
Total		0

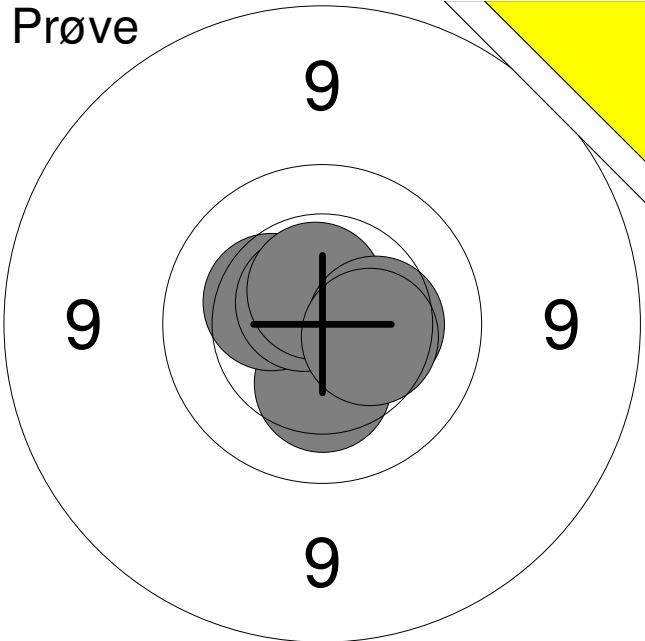


1:	10.3	→
2:	10.3	↓
3:	10.1	↙
4:	10.7x	→
5:	10.2	↘
6:	9.9	↑
7:	10.2	→
8:	10.8x	↓
9:	10.7x	↘
10:	10.5	↘
Serie		99
Total		99



11:	10.5	←
12:	10.5	↗
13:	10.6x	→
14:	10.6x	↗
15:	10.5	↗
16:	10.2	↘
17:	10.2	↗
18:	10.6x	←
19:	10.5	↑
20:	10.7x	↓
Serie		100
Total		199

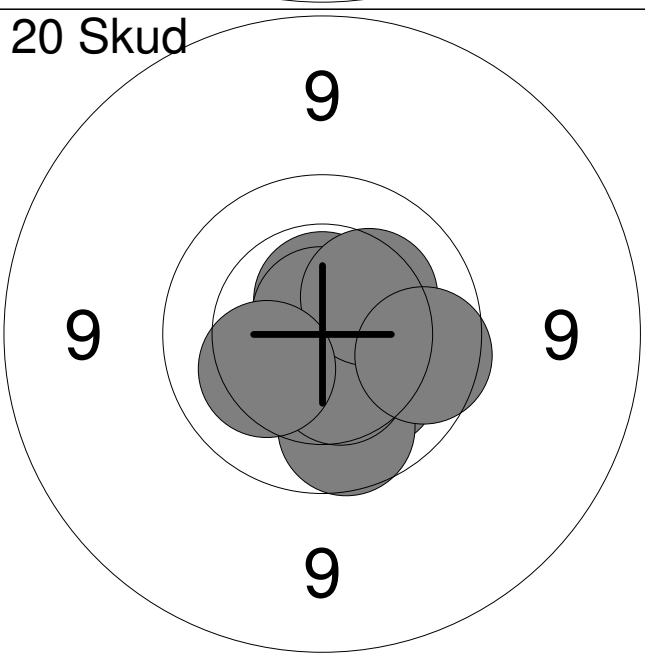
Prøve



1:	10.3	↓
2:	10.3	↖
3:	10.6x	↗
4:	10.6x	↑
5:	10.4	→
6:	10.4	→

Serie	60
Total	0

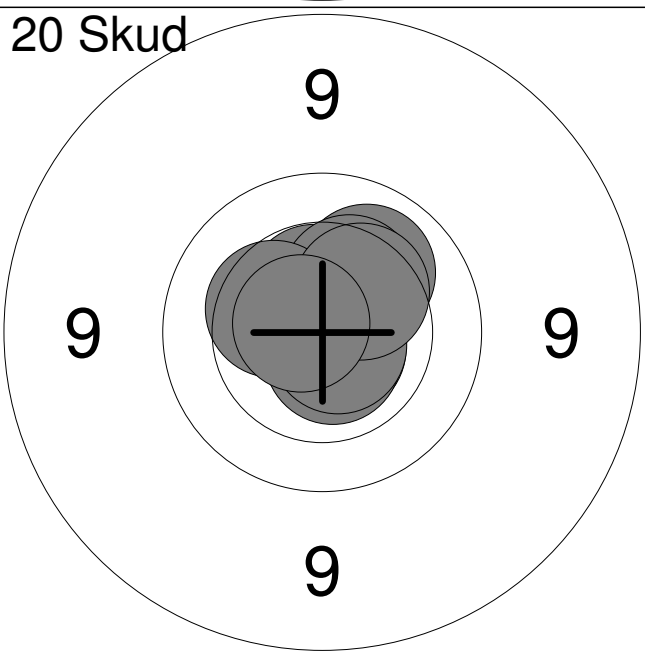
20 Skud



1:	10.2	↘
2:	9.9	↘
3:	10.9x	↗
4:	10.6x	↑
5:	10.7x	↘
6:	10.7x	↑
7:	10.4	↘
8:	10.3	↗
9:	9.9	→
10:	10.2	↙

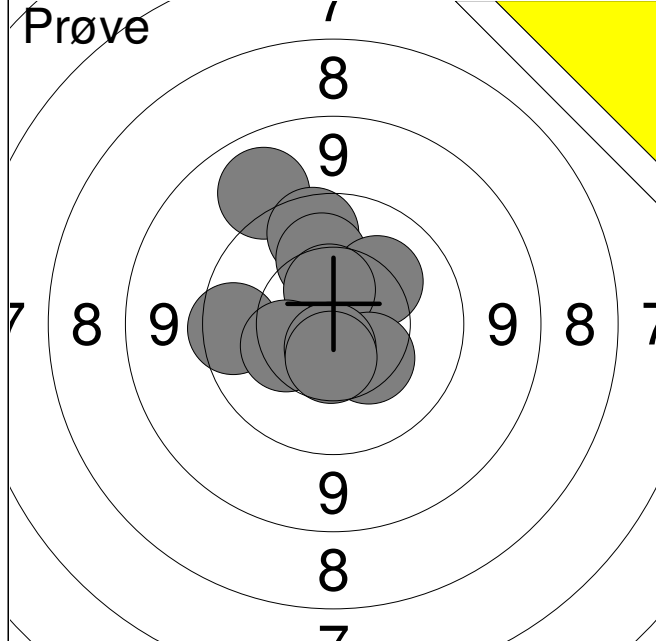
Serie	98
Total	98

20 Skud

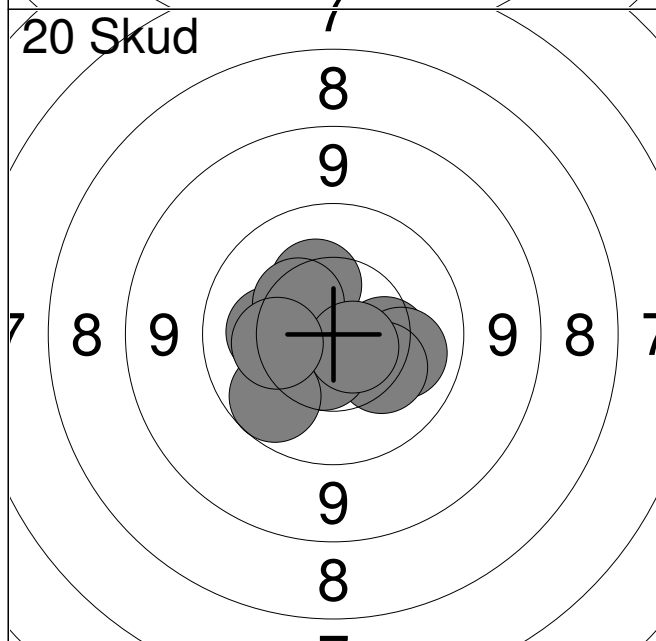


11:	10.1	↗
12:	10.7x	↑
13:	10.7x	↘
14:	10.7x	↘
15:	10.5x	↑
16:	10.7x	↘
17:	10.3	↗
18:	10.4	↖
19:	10.3	↗
20:	10.7x	↙

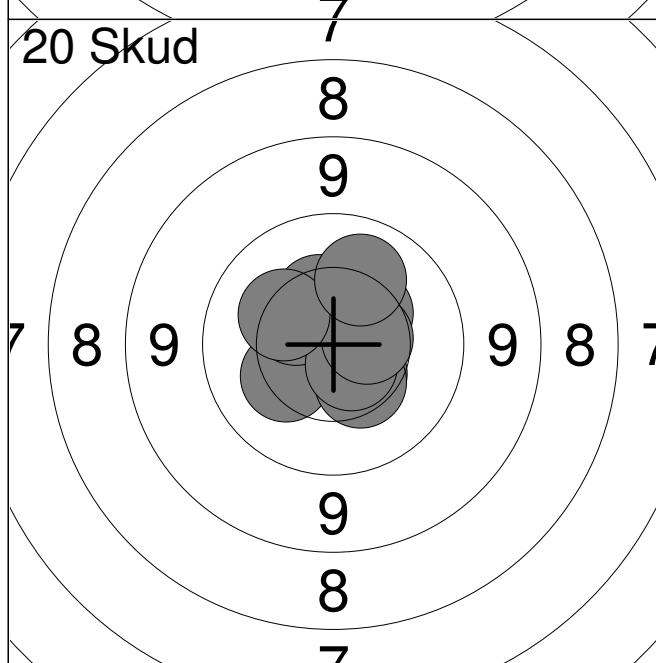
Serie	100
Total	198



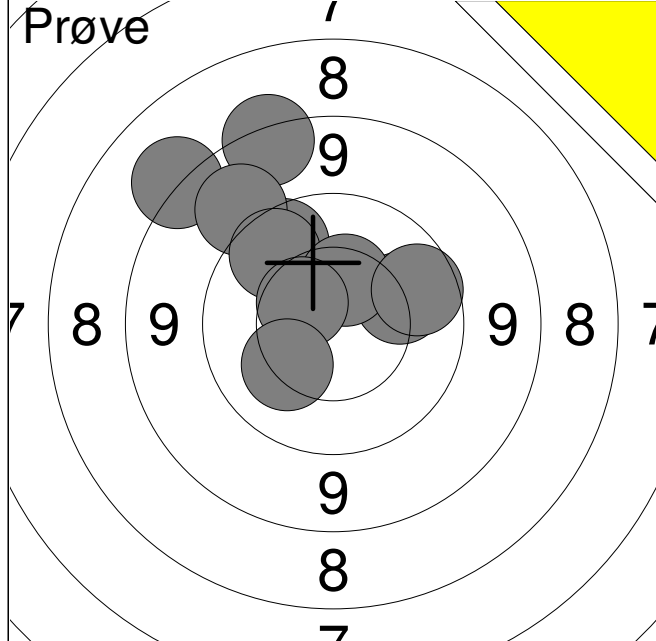
1:	9.1	↗
2:	9.8	↑
3:	10.2	↑
4:	10.2	↗
5:	10.5	↑
6:	9.7	←
7:	10.4	↘
8:	10.3	←
9:	10.7x	↓
10:	10.6	↓
Serie		97
Total		0



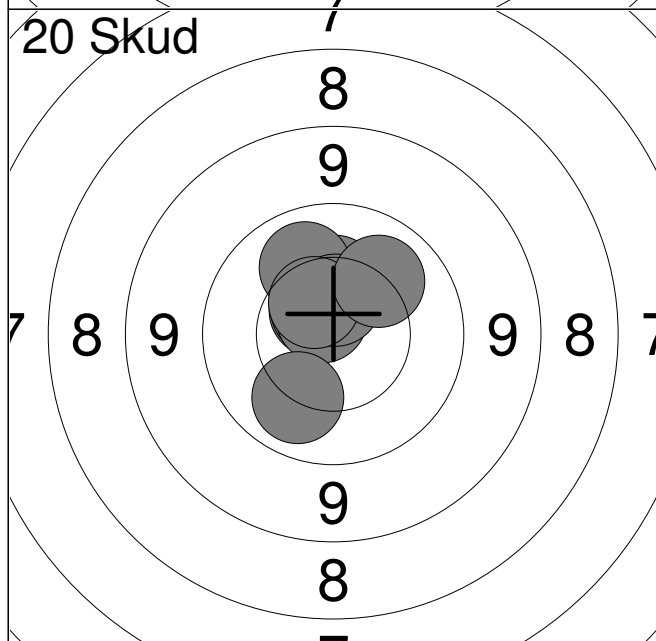
1:	10.3	↑
2:	10.2	←
3:	10.4	↗
4:	10.3	→
5:	10.1	→
6:	10.3	↘
7:	10.6	↓
8:	10.7x	↘
9:	9.9	↘
10:	10.3	←
Serie		99
Total		99



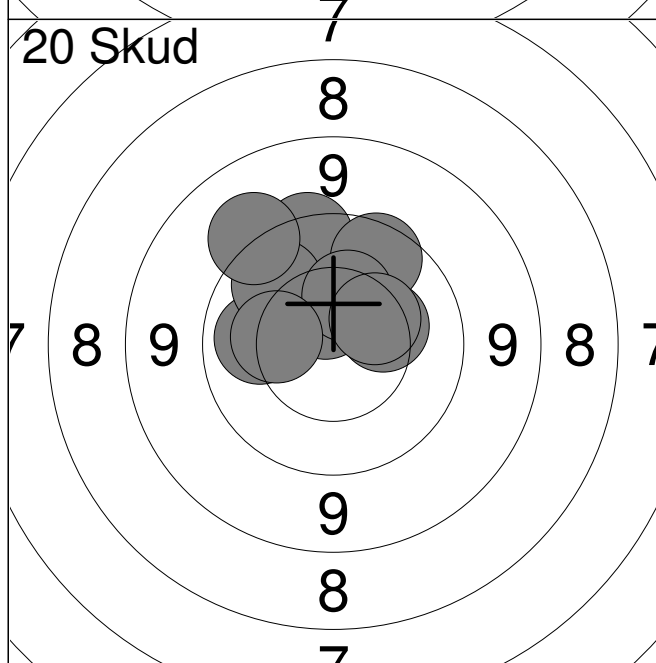
11:	10.3	↖
12:	10.4	↗
13:	10.5	↘
14:	10.4	↘
15:	10.4	↑
16:	10.4	↗
17:	10.6x	↘
18:	10.5	→
19:	10.3	↗
20:	10.1	↑
Serie		100
Total		199



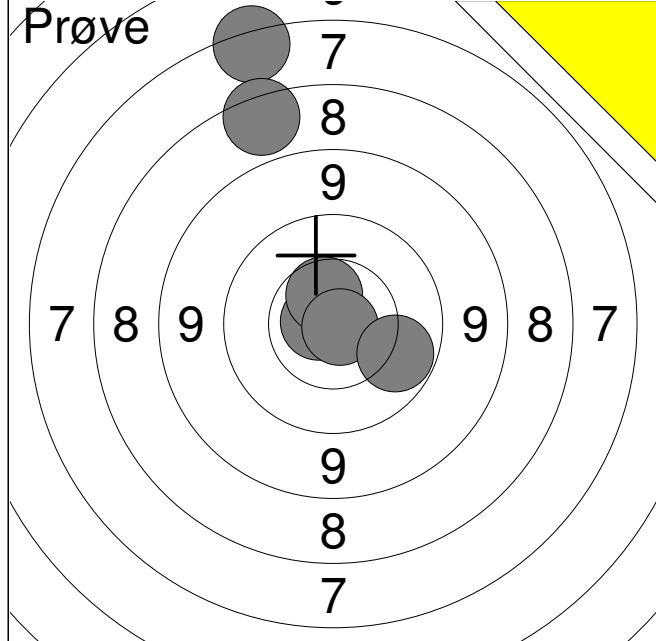
1:	8.3	↗
2:	8.5	↑
3:	9.8	↗
4:	9.1	↗
5:	9.9	↗
6:	10.1	↗
7:	10.4	↑
8:	10.5	↖
9:	10.2	↙
10:	9.9	↗
Serie		92
Total		0



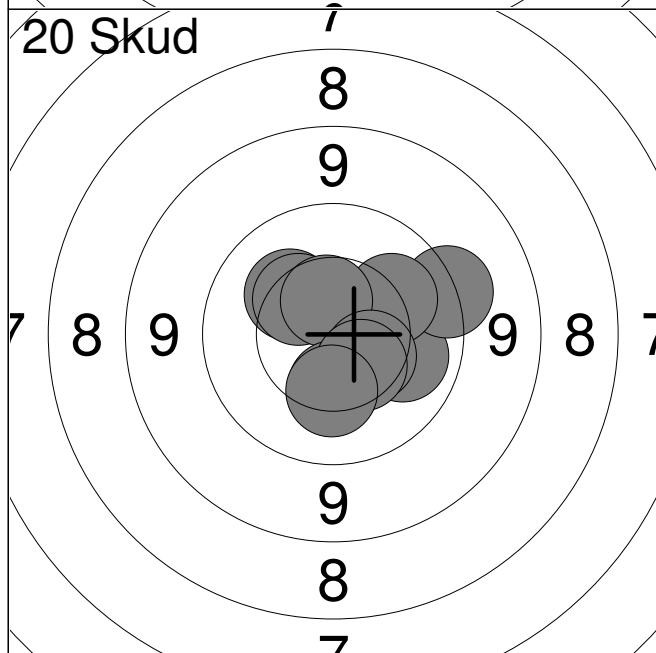
1:	10.6x	↗
2:	10.6x	↗
3:	10.7x	↗
4:	10.1	↙
5:	10.3	↑
6:	10.5	↑
7:	10.1	↗
8:	10.5	↑
9:	10.5	↗
10:	10.1	↗
Serie		100
Total		100



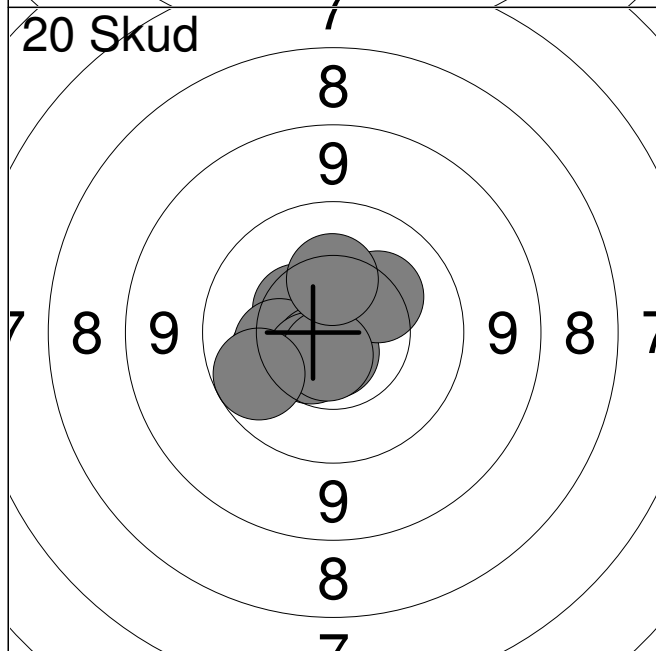
11:	10.3	↗
12:	10.1	←
13:	9.6	↑
14:	10.6	↑
15:	9.8	↗
16:	10.0	↗
17:	9.3	↗
18:	10.4	↑
19:	10.3	←
20:	10.4	↗
Serie		97
Total		197



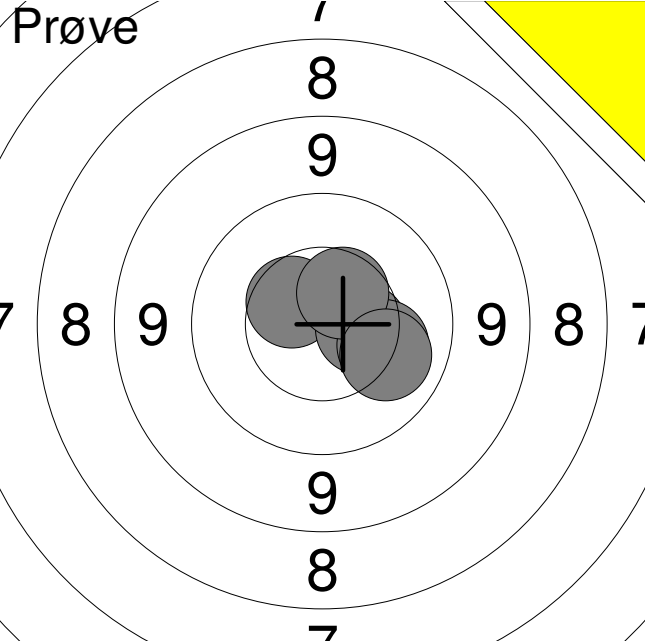
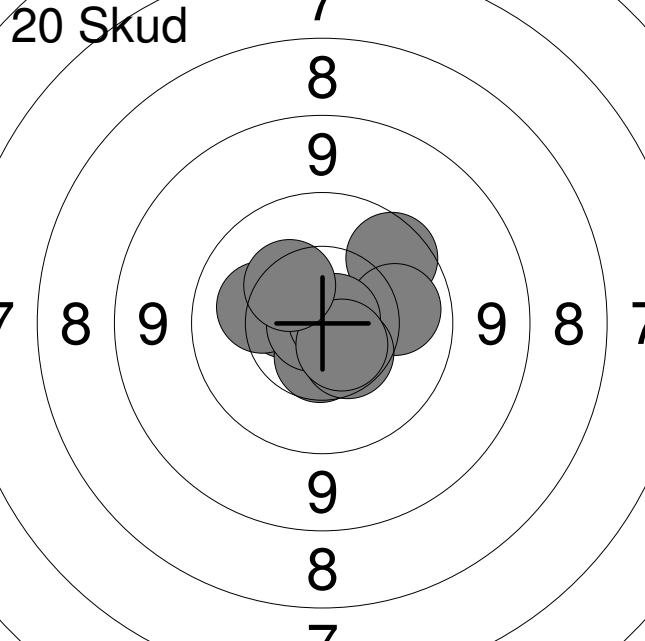
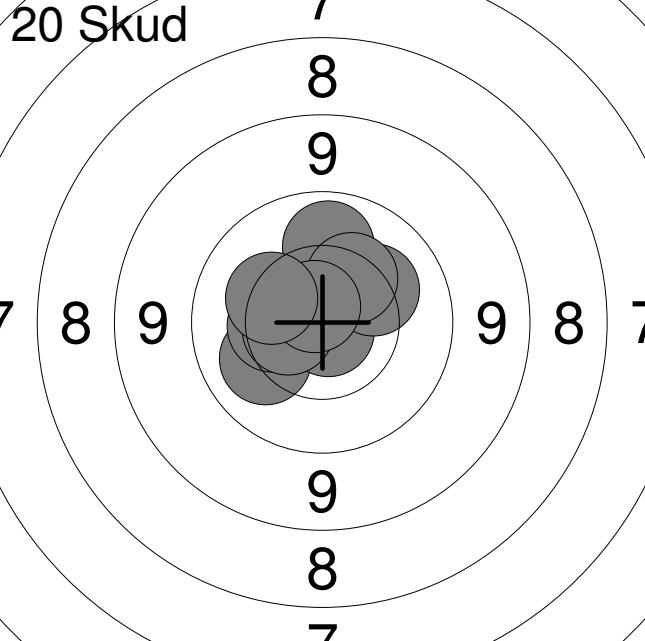
1:	6.6	↗
2:	7.7	↗
3:	10.7x	↖
4:	10.5	↗
5:	10.8x	↘
6:	10.0	↘
Serie		53
Total		0

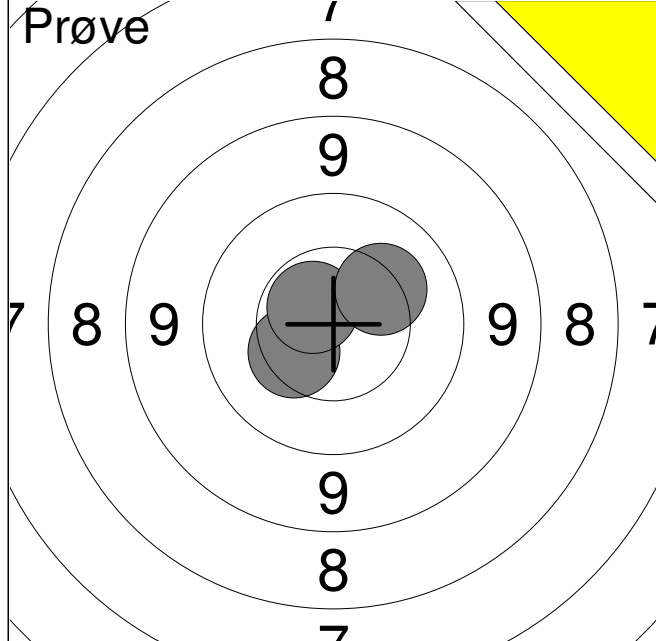


1:	10.3	↗
2:	10.1	→
3:	9.5	→
4:	10.2	↗
5:	10.4	↗
6:	10.5	↑
7:	10.3	↓
8:	10.4	↘
9:	10.5	↘
10:	10.3	↓
Serie		99
Total		99

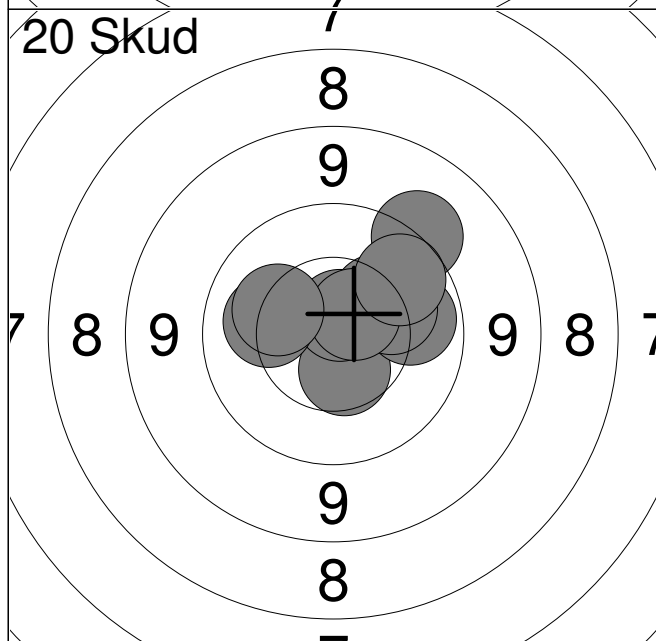


11:	10.5	↗
12:	10.7x	↓
13:	10.2	↖
14:	10.3	↖
15:	10.7x	↘
16:	10.3	↗
17:	10.5	↘
18:	10.7x	↓
19:	10.3	↑
20:	9.9	↖
Serie		99
Total		198

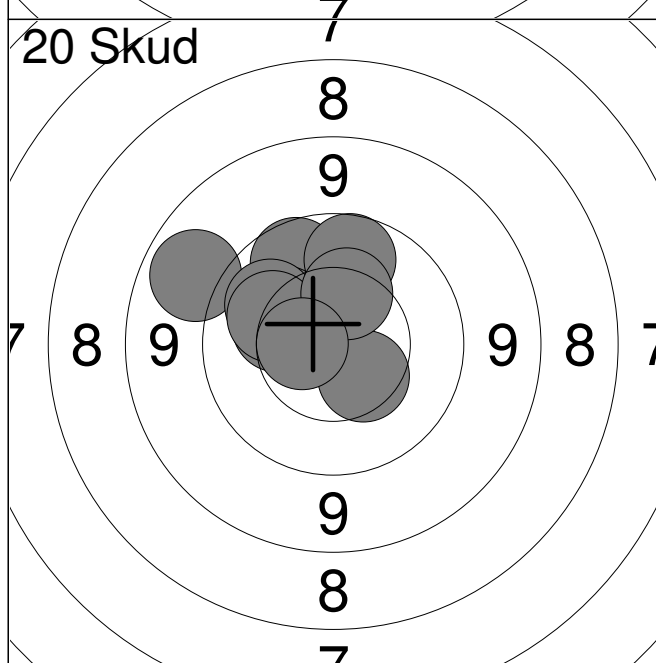
Hold 17	Skive 10	Erik Skovmand																																
Aalborg		Viborg Skytteforening		MVS1																														
28.10.2017		15 meter riffelstævne 2017		Aalborg Skyttekreds																														
Prøve		<table border="0"> <tr><td>1:</td><td>10.5</td><td>↗</td></tr> <tr><td>2:</td><td>10.5</td><td>→</td></tr> <tr><td>3:</td><td>10.2</td><td>↘</td></tr> <tr><td>4:</td><td>10.5</td><td>↗</td></tr> <tr><td>5:</td><td>10.1</td><td>↘</td></tr> </table>			1:	10.5	↗	2:	10.5	→	3:	10.2	↘	4:	10.5	↗	5:	10.1	↘															
1:	10.5	↗																																
2:	10.5	→																																
3:	10.2	↘																																
4:	10.5	↗																																
5:	10.1	↘																																
		<table border="0"> <tr><td>Serie</td><td></td><td>50</td></tr> <tr><td>Total</td><td></td><td>0</td></tr> </table>			Serie		50	Total		0																								
Serie		50																																
Total		0																																
20 Skud		<table border="0"> <tr><td>1:</td><td>9.8</td><td>↗</td></tr> <tr><td>2:</td><td>10.5</td><td>←</td></tr> <tr><td>3:</td><td>10.2</td><td>←</td></tr> <tr><td>4:</td><td>10.1</td><td>→</td></tr> <tr><td>5:</td><td>10.6</td><td>↓</td></tr> <tr><td>6:</td><td>10.8x</td><td>←</td></tr> <tr><td>7:</td><td>10.8x</td><td>→</td></tr> <tr><td>8:</td><td>10.5</td><td>↘</td></tr> <tr><td>9:</td><td>10.6x</td><td>↘</td></tr> <tr><td>10:</td><td>10.4</td><td>↗</td></tr> </table>			1:	9.8	↗	2:	10.5	←	3:	10.2	←	4:	10.1	→	5:	10.6	↓	6:	10.8x	←	7:	10.8x	→	8:	10.5	↘	9:	10.6x	↘	10:	10.4	↗
1:	9.8	↗																																
2:	10.5	←																																
3:	10.2	←																																
4:	10.1	→																																
5:	10.6	↓																																
6:	10.8x	←																																
7:	10.8x	→																																
8:	10.5	↘																																
9:	10.6x	↘																																
10:	10.4	↗																																
		<table border="0"> <tr><td>Serie</td><td></td><td>99</td></tr> <tr><td>Total</td><td></td><td>99</td></tr> </table>			Serie		99	Total		99																								
Serie		99																																
Total		99																																
20 Skud		<table border="0"> <tr><td>11:</td><td>10.1</td><td>←</td></tr> <tr><td>12:</td><td>10.1</td><td>↑</td></tr> <tr><td>13:</td><td>10.8x</td><td>↘</td></tr> <tr><td>14:</td><td>10.2</td><td>↗</td></tr> <tr><td>15:</td><td>10.4</td><td>←</td></tr> <tr><td>16:</td><td>10.5</td><td>←</td></tr> <tr><td>17:</td><td>10.5</td><td>←</td></tr> <tr><td>18:</td><td>10.3</td><td>↗</td></tr> <tr><td>19:</td><td>10.7x</td><td>↗</td></tr> <tr><td>20:</td><td>10.3</td><td>←</td></tr> </table>			11:	10.1	←	12:	10.1	↑	13:	10.8x	↘	14:	10.2	↗	15:	10.4	←	16:	10.5	←	17:	10.5	←	18:	10.3	↗	19:	10.7x	↗	20:	10.3	←
11:	10.1	←																																
12:	10.1	↑																																
13:	10.8x	↘																																
14:	10.2	↗																																
15:	10.4	←																																
16:	10.5	←																																
17:	10.5	←																																
18:	10.3	↗																																
19:	10.7x	↗																																
20:	10.3	←																																
		<table border="0"> <tr><td>Serie</td><td></td><td>100</td></tr> <tr><td>Total</td><td></td><td>199</td></tr> </table>			Serie		100	Total		199																								
Serie		100																																
Total		199																																



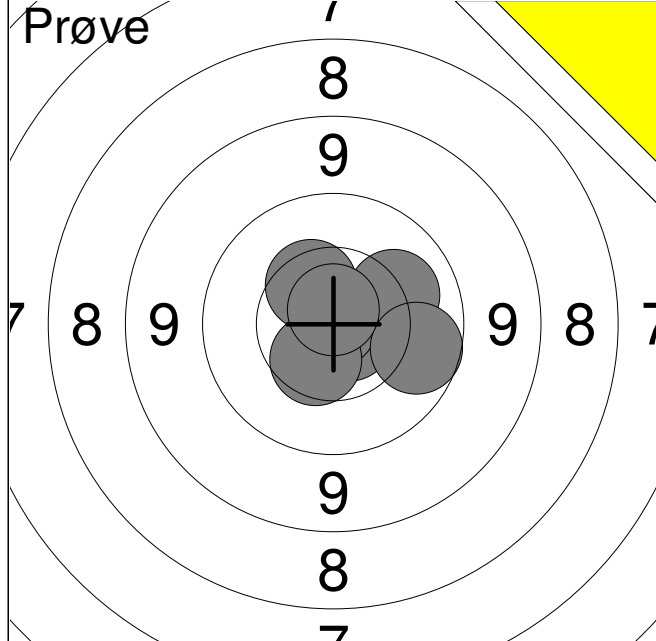
1:	10.4	↙
2:	10.6x	↖
3:	10.3	↗
Serie		30
Total		0



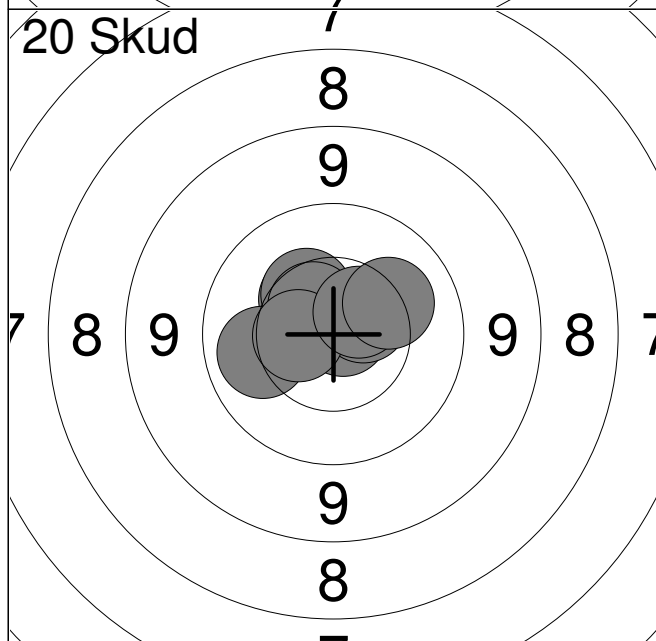
1:	10.5	↓
2:	10.7x	↑
3:	10.3	↗
4:	10.0	→
5:	10.2	←
6:	10.2	↗
7:	9.4	↗
8:	10.6x	↗
9:	9.9	↗
10:	10.2	↖
Serie		98
Total		98



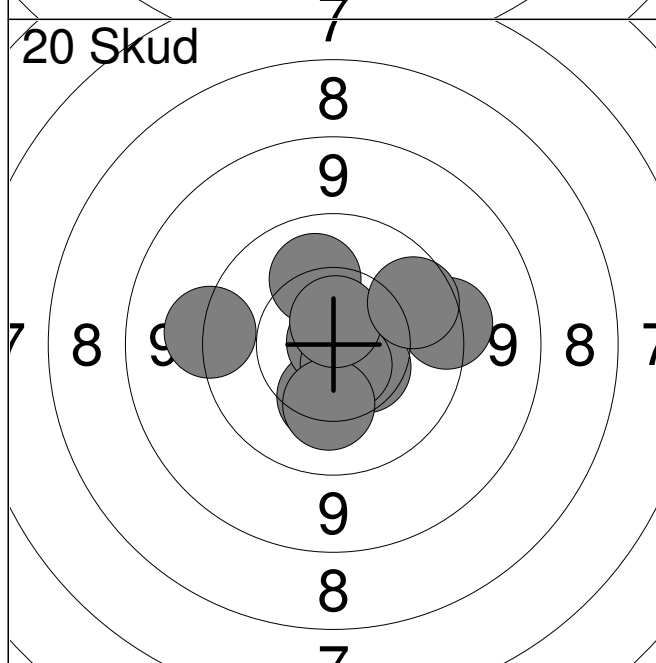
11:	9.0	↖
12:	9.9	↑
13:	10.3	↗
14:	10.1	↗
15:	9.9	↑
16:	10.3	←
17:	10.2	↖
18:	10.4	↘
19:	10.3	↑
20:	10.6	←
Serie		97
Total		195



1:	10.7x	↘
2:	10.2	→
3:	10.9x	↑
4:	10.4	↗
5:	9.9	↘
6:	10.5	↘
7:	10.8x	↑
Serie		69
Total		0

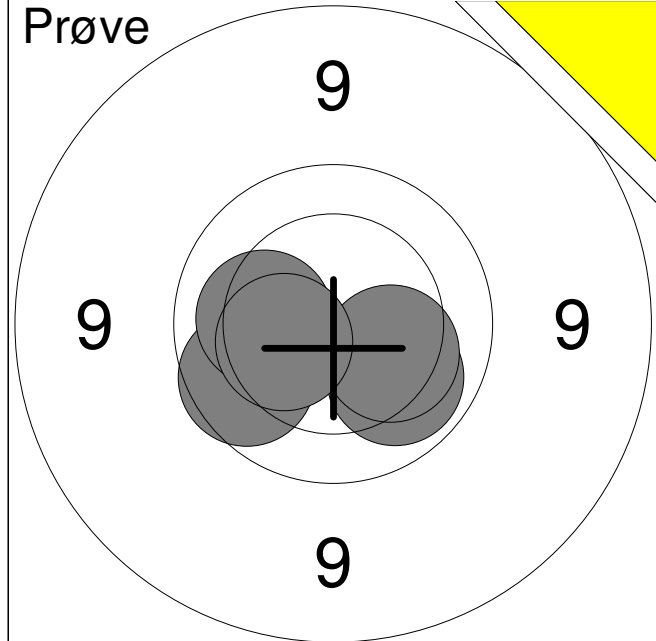


1:	10.4	↗
2:	10.1	←
3:	10.8x	↑
4:	10.4	↗
5:	10.8x	→
6:	10.5	↗
7:	10.6	↗
8:	10.5	←
9:	10.6	↗
10:	10.2	↗
Serie		100
Total		100

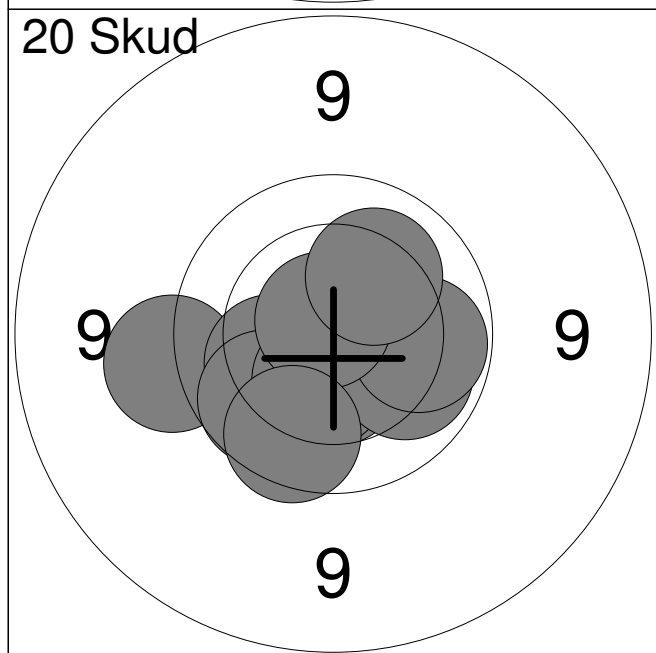


11:	10.3	↓
12:	10.5	↘
13:	10.9x	↑
14:	9.6	→
15:	10.7x	↘
16:	10.2	↑
17:	10.2	↓
18:	10.7x	↑
19:	9.4	←
20:	9.9	↗
Serie		97
Total		197

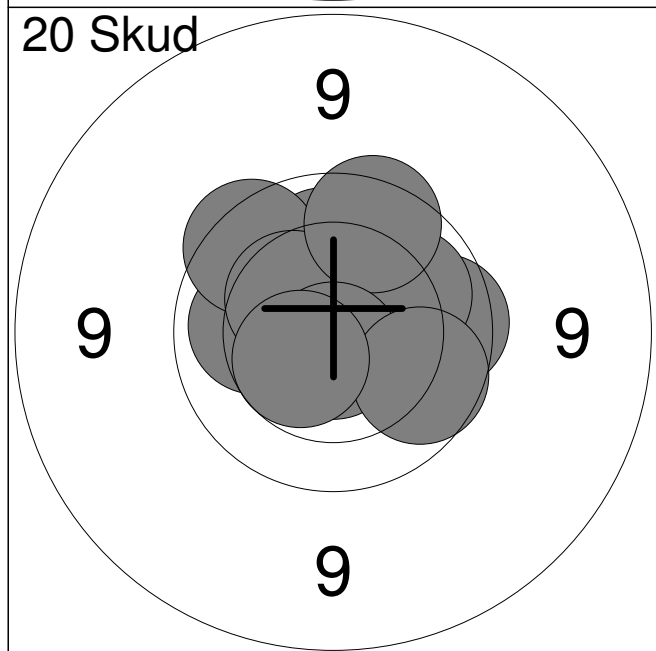
Hold 20	Skive 9	Jonas Ø. Pedersen		
Aalborg		Aalborg Skyttekreds		US1
28.10.2017		15 meter riffelstævne 2017		Aalborg Skyttekreds
Prøve 	8	1:	9.4	↗
		2:	8.4	→
		3:	9.8	↑
		4:	9.6	←
		5:	8.9	↘
		6:	9.6	←
		7:	9.0	→
		8:	10.0	↑
		9:	10.0	→
		Serie		
	Total			0
20 Skud 	9	1:	10.2	↘
		2:	9.7	←
		3:	9.8	↘
		4:	9.2	↗
		5:	9.1	↗
		6:	9.8	↘
		7:	9.6	↘
		8:	9.6	↗
		9:	10.6x	←
		10:	9.1	→
	Serie			92
	Total			92
20 Skud 	8	11:	8.9	↗
		12:	10.6x	←
		13:	10.1	←
		14:	9.9	↘
		15:	8.3	→
		16:	9.1	↗
		17:	9.5	↗
		18:	9.7	↗
		19:	9.6	↑
		20:	10.5	→
	Serie			91
	Total			183



1:	9.9	↖
2:	10.1	↘
3:	10.2	←
4:	10.2	↗
5:	10.4	↙
Serie	49	
Total	0	

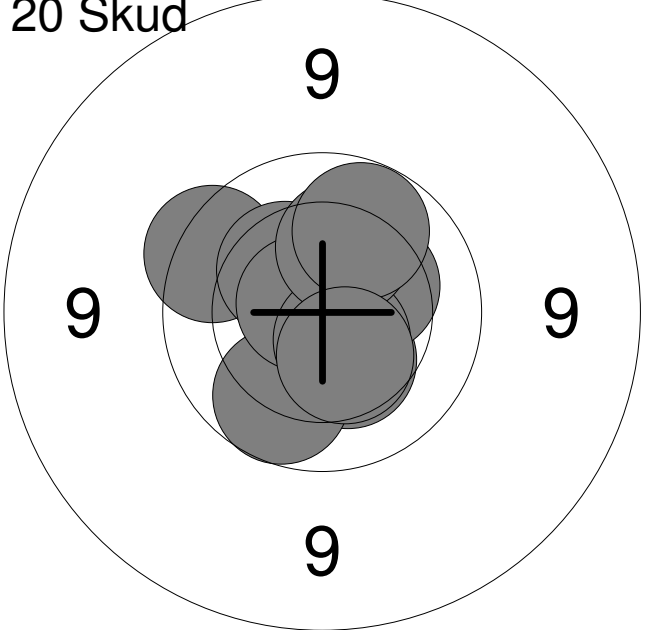


1:	10.5	↓
2:	9.5	←
3:	10.2	←
4:	9.9	↘
5:	10.4	↓
6:	10.1	↗
7:	10.0	→
8:	10.8x	↗
9:	9.8	↓
10:	10.2	↗
Serie	97	
Total	97	

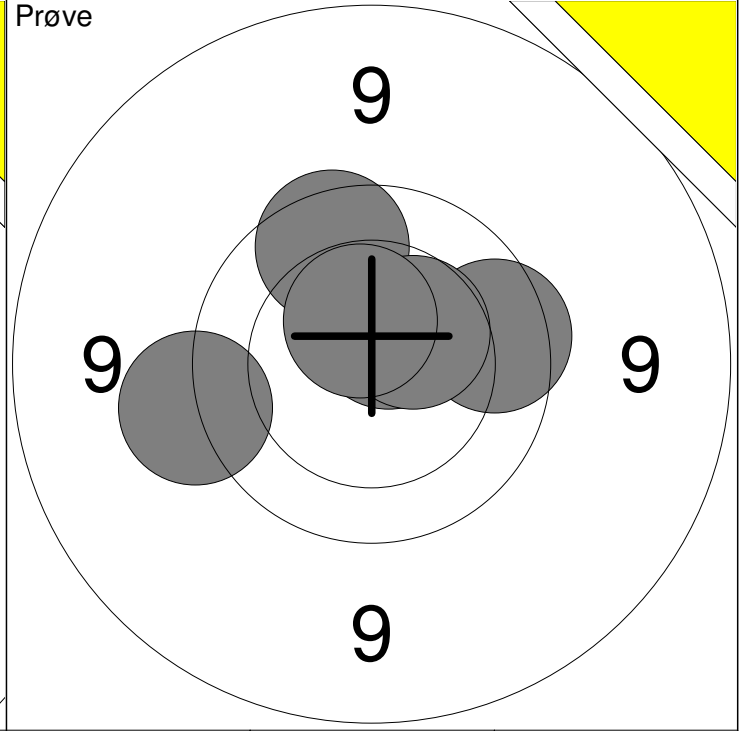
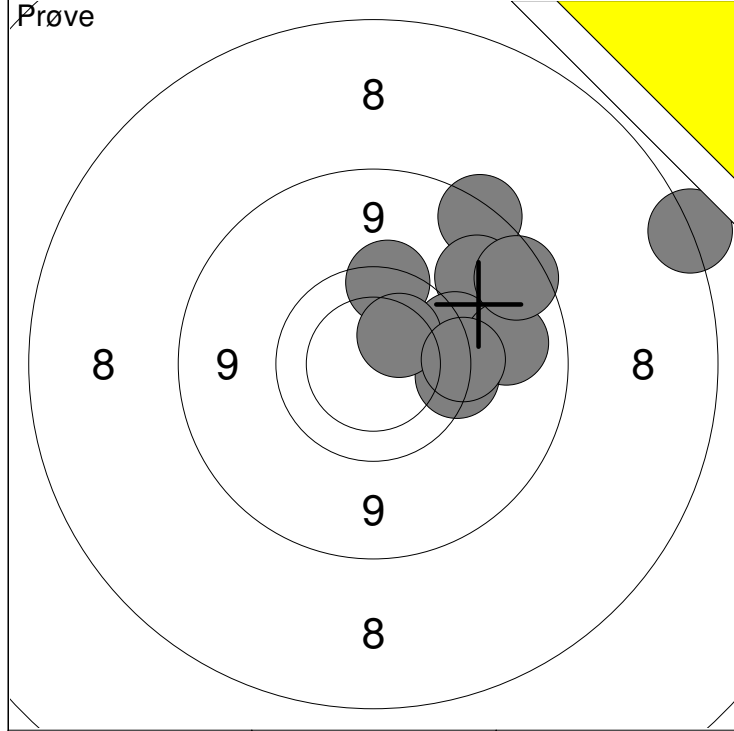


11:	10.1	↑
12:	10.1	←
13:	9.8	↗
14:	9.8	→
15:	10.1	↗
16:	10.4	↗
17:	9.8	↗
18:	10.8x	↓
19:	9.9	↘
20:	10.5	↙
Serie	96	
Total	193	

<p>Prøve</p> 	<table style="width:100%; border-collapse: collapse;"> <tr><td style="width:5%;">1:</td><td style="width:15%;">9.3</td><td style="width:10%; text-align: right;">↘</td></tr> <tr><td>2:</td><td>9.8</td><td style="text-align: right;">↓</td></tr> <tr><td>3:</td><td>10.1</td><td style="text-align: right;">↗</td></tr> <tr><td>4:</td><td>10.4</td><td style="text-align: right;">↗</td></tr> <tr><td>5:</td><td>10.0</td><td style="text-align: right;">↗</td></tr> <tr><td>6:</td><td>10.4</td><td style="text-align: right;">↗</td></tr> <tr><td>7:</td><td>10.2</td><td style="text-align: right;">←</td></tr> <tr><td>8:</td><td>10.5x</td><td style="text-align: right;">←</td></tr> <tr><td>9:</td><td>10.0</td><td style="text-align: right;">↓</td></tr> <tr><td>10:</td><td>10.4</td><td style="text-align: right;">←</td></tr> <tr><td colspan="2">Serie</td><td style="text-align: right;">98</td></tr> <tr><td colspan="2">Total</td><td style="text-align: right;">0</td></tr> </table>	1:	9.3	↘	2:	9.8	↓	3:	10.1	↗	4:	10.4	↗	5:	10.0	↗	6:	10.4	↗	7:	10.2	←	8:	10.5x	←	9:	10.0	↓	10:	10.4	←	Serie		98	Total		0
1:	9.3	↘																																			
2:	9.8	↓																																			
3:	10.1	↗																																			
4:	10.4	↗																																			
5:	10.0	↗																																			
6:	10.4	↗																																			
7:	10.2	←																																			
8:	10.5x	←																																			
9:	10.0	↓																																			
10:	10.4	←																																			
Serie		98																																			
Total		0																																			

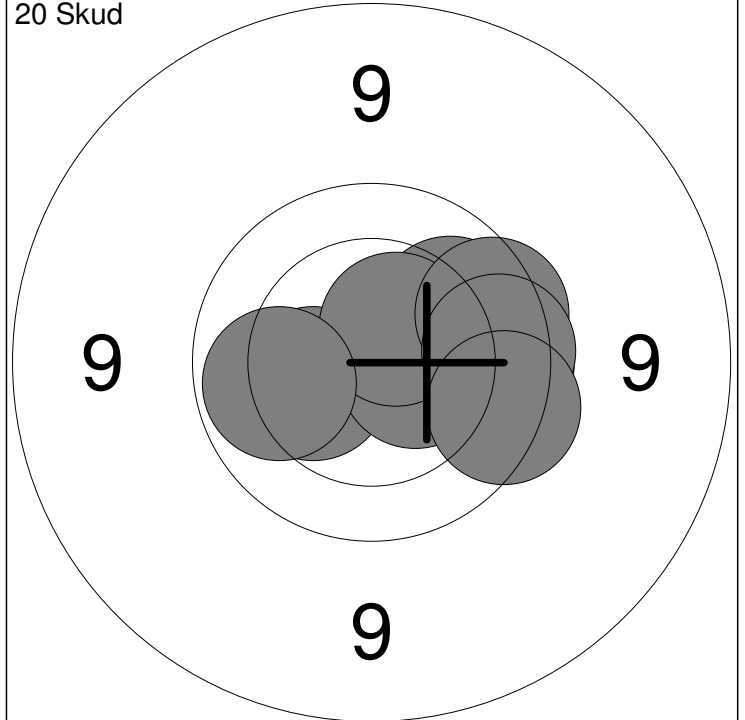
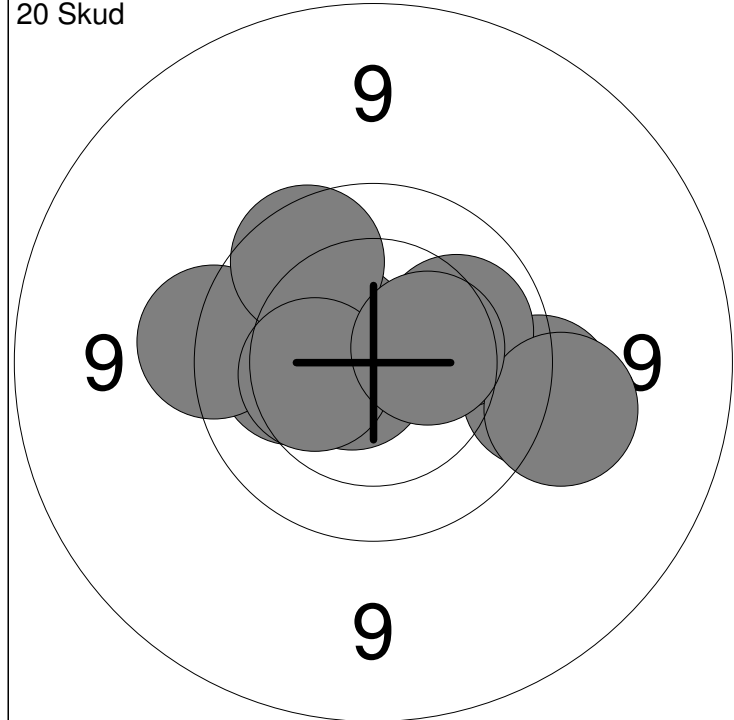
<p>20 Skud</p> 	<table style="width:100%; border-collapse: collapse;"> <tr><td style="width:5%;">1:</td><td style="width:15%;">9.7</td><td style="width:10%; text-align: right;">↖</td></tr> <tr><td>2:</td><td>10.4</td><td style="text-align: right;">↓</td></tr> <tr><td>3:</td><td>9.9</td><td style="text-align: right;">↓</td></tr> <tr><td>4:</td><td>10.3</td><td style="text-align: right;">↗</td></tr> <tr><td>5:</td><td>10.7x</td><td style="text-align: right;">↖</td></tr> <tr><td>6:</td><td>10.3</td><td style="text-align: right;">↗</td></tr> <tr><td>7:</td><td>10.6x</td><td style="text-align: right;">↓</td></tr> <tr><td>8:</td><td>10.2</td><td style="text-align: right;">↗</td></tr> <tr><td>9:</td><td>10.0</td><td style="text-align: right;">↗</td></tr> <tr><td>10:</td><td>10.4</td><td style="text-align: right;">↓</td></tr> <tr><td colspan="2">Serie</td><td style="text-align: right;">98</td></tr> <tr><td colspan="2">Total</td><td style="text-align: right;">98</td></tr> </table>	1:	9.7	↖	2:	10.4	↓	3:	9.9	↓	4:	10.3	↗	5:	10.7x	↖	6:	10.3	↗	7:	10.6x	↓	8:	10.2	↗	9:	10.0	↗	10:	10.4	↓	Serie		98	Total		98
1:	9.7	↖																																			
2:	10.4	↓																																			
3:	9.9	↓																																			
4:	10.3	↗																																			
5:	10.7x	↖																																			
6:	10.3	↗																																			
7:	10.6x	↓																																			
8:	10.2	↗																																			
9:	10.0	↗																																			
10:	10.4	↓																																			
Serie		98																																			
Total		98																																			

<p>20 Skud</p> 	<table style="width:100%; border-collapse: collapse;"> <tr><td style="width:5%;">11:</td><td style="width:15%;">10.5x</td><td style="width:10%; text-align: right;">↓</td></tr> <tr><td>12:</td><td>10.4</td><td style="text-align: right;">↓</td></tr> <tr><td>13:</td><td>10.5x</td><td style="text-align: right;">↗</td></tr> <tr><td>14:</td><td>10.5x</td><td style="text-align: right;">↘</td></tr> <tr><td>15:</td><td>10.2</td><td style="text-align: right;">↘</td></tr> <tr><td>16:</td><td>10.5x</td><td style="text-align: right;">↓</td></tr> <tr><td>17:</td><td>10.7x</td><td style="text-align: right;">↓</td></tr> <tr><td>18:</td><td>10.3</td><td style="text-align: right;">↗</td></tr> <tr><td>19:</td><td>9.7</td><td style="text-align: right;">→</td></tr> <tr><td>20:</td><td>10.3</td><td style="text-align: right;">←</td></tr> <tr><td colspan="2">Serie</td><td style="text-align: right;">99</td></tr> <tr><td colspan="2">Total</td><td style="text-align: right;">197</td></tr> </table>	11:	10.5x	↓	12:	10.4	↓	13:	10.5x	↗	14:	10.5x	↘	15:	10.2	↘	16:	10.5x	↓	17:	10.7x	↓	18:	10.3	↗	19:	9.7	→	20:	10.3	←	Serie		99	Total		197
11:	10.5x	↓																																			
12:	10.4	↓																																			
13:	10.5x	↗																																			
14:	10.5x	↘																																			
15:	10.2	↘																																			
16:	10.5x	↓																																			
17:	10.7x	↓																																			
18:	10.3	↗																																			
19:	9.7	→																																			
20:	10.3	←																																			
Serie		99																																			
Total		197																																			



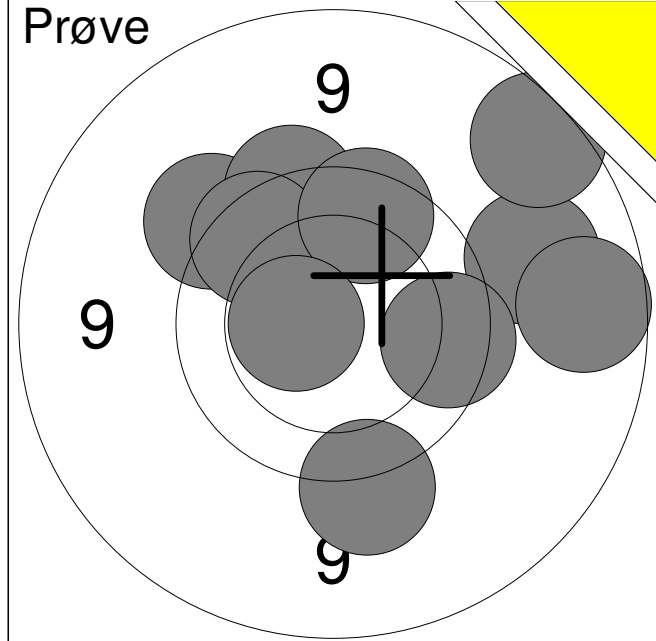
1: 7.7 →	6: 8.9 →	Serie 87
2: 8.8 ↗	7: 9.7 →	
3: 9.1 ↗	8: 9.7 ↑	Total 0
4: 9.6 →	9: 10.3 ↗	
5: 9.1 →	10: 9.6 →	

11: 9.8 →	16: 10.5x ↑	Serie 57
12: 9.8 ↑	13: 10.6x ↗	
14: 10.4 ↗	15: 9.5 ←	Total 0

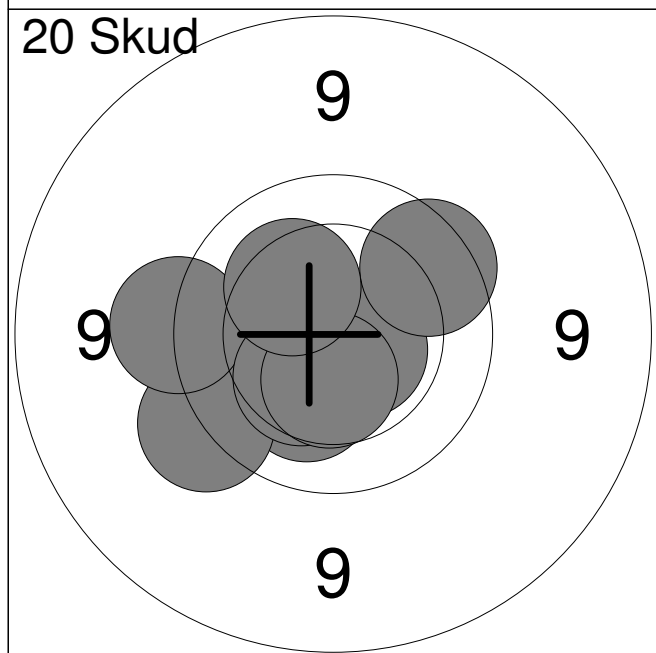


1: 10.7x ←	6: 10.5x ↖	Serie 96
2: 10.2 ←	7: 9.4 →	
3: 9.6 →	8: 9.8 ↗	Total 96
4: 9.6 ←	9: 10.4 ←	
5: 10.1 →	10: 10.4 →	

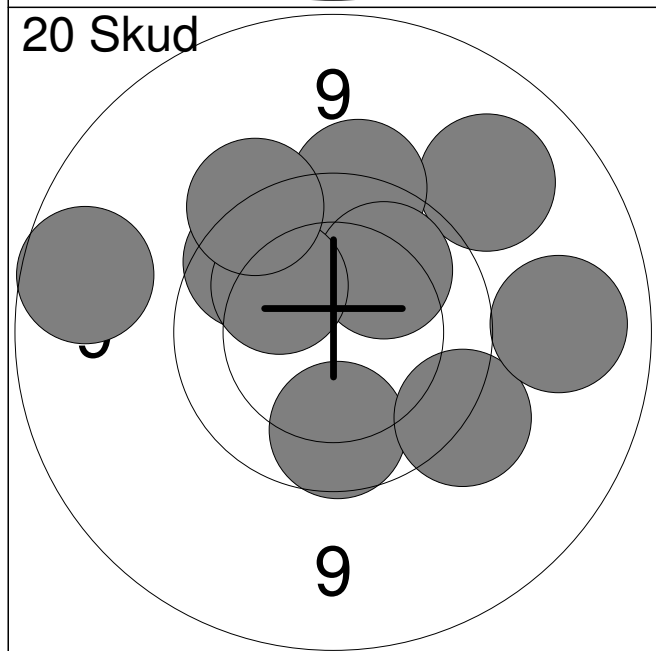
11: 9.9 →	16: 10.5x ↗	Serie 95
12: 9.8 →	17: 10.0 ←	
13: 10.3 ←	18: 9.8 →	Total 191
14: 10.0 ↗	19: 9.8 →	
15: 10.5x →	20: 9.7 →	



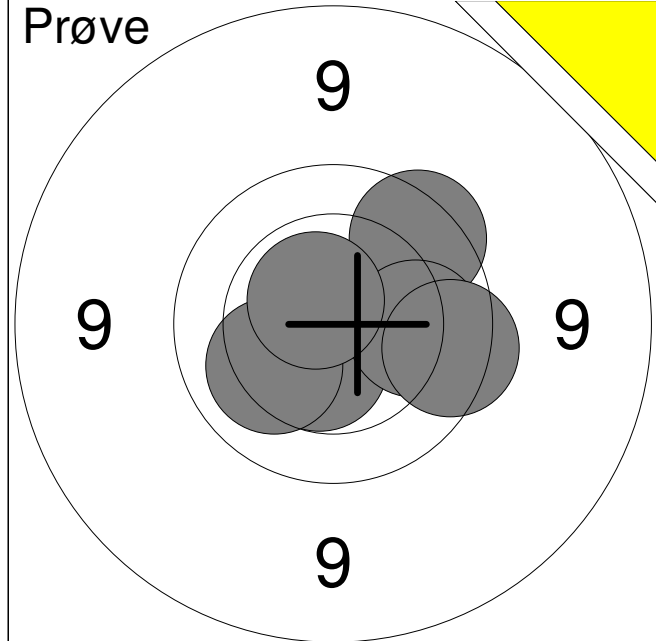
1:	9.2	→
2:	8.9	→
3:	8.8	↗
4:	9.8	→
5:	9.5	↗
6:	9.6	↑
7:	9.8	↗
8:	9.8	↑
9:	9.5	↓
10:	10.5x	←
Serie		89
Total		0



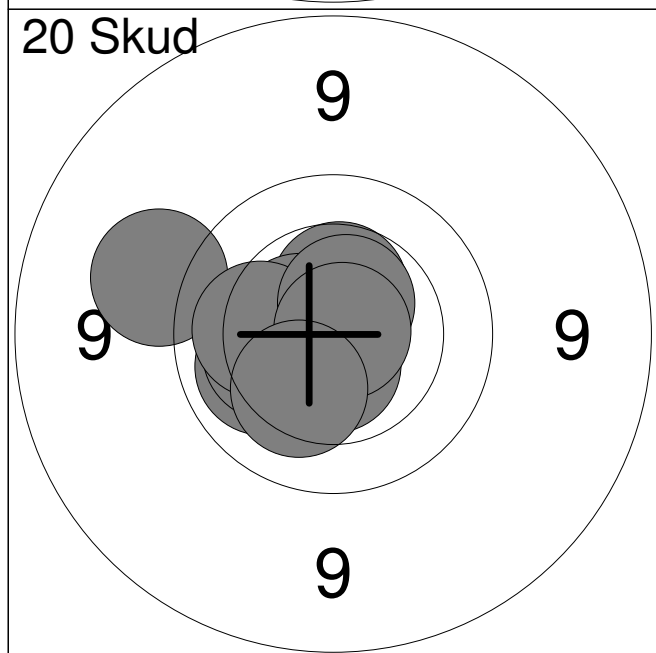
1:	10.8x	↓
2:	10.2	↓
3:	9.9	←
4:	9.5	↙
5:	9.5	←
6:	10.4	↙
7:	10.6x	↘
8:	10.4	↓
9:	9.8	↗
10:	10.3	↗
Serie		96
Total		96



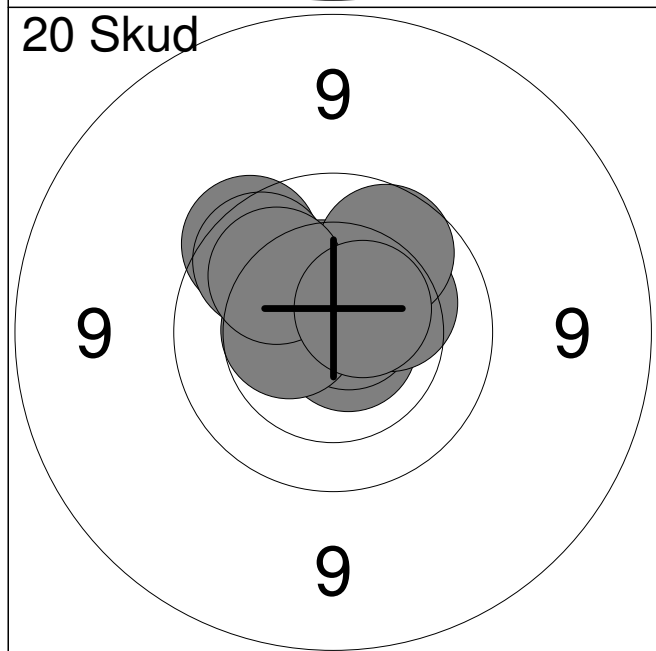
11:	9.2	↗
12:	9.6	↑
13:	8.9	←
14:	10.1	↗
15:	9.8	↗
16:	10.2	↗
17:	9.6	↗
18:	9.9	↓
19:	9.5	↘
20:	9.1	→
Serie		91
Total		187



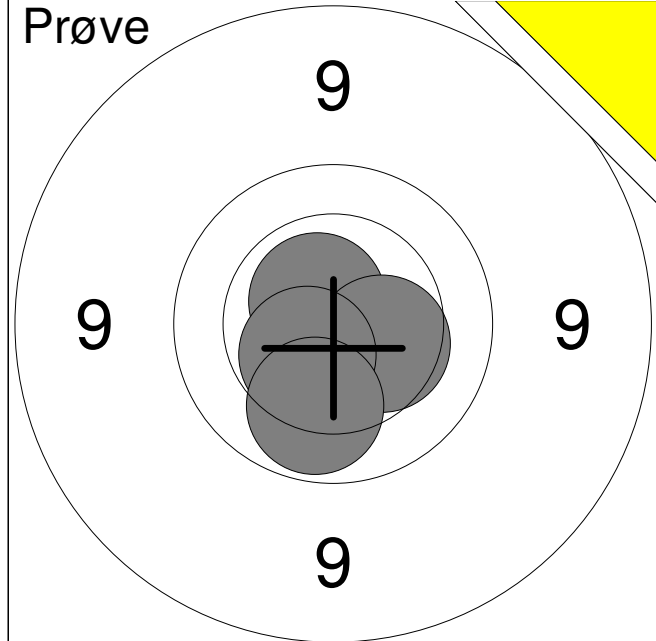
1:	10.5x	↓
2:	9.8	↗
3:	10.0	→
4:	9.8	→
5:	10.2	↖
6:	10.6x	↗
Serie		58
Total		0



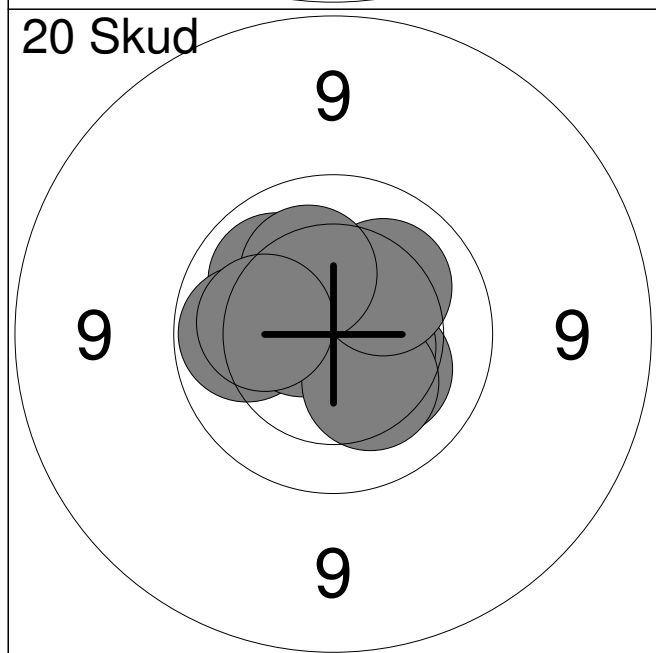
1:	10.6x	↓
2:	9.4	←
3:	10.5	↑
4:	10.1	←
5:	10.2	←
6:	10.6x	←
7:	10.2	←
8:	10.6x	↑
9:	10.8x	→
10:	10.2	↓
Serie		99
Total		99



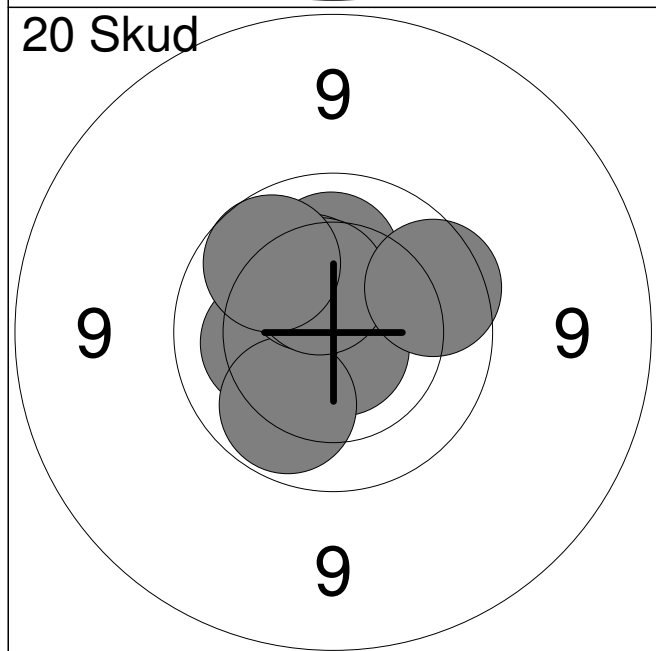
11:	10.7x	↘
12:	10.4	↑
13:	9.8	↗
14:	10.7x	↗
15:	9.9	↖
16:	10.3	→
17:	9.9	↗
18:	10.5	←
19:	10.1	↗
20:	10.5x	↗
Serie		97
Total		196



1:	10.6x	↘
2:	10.6x	↗
3:	10.4	↘
4:	10.5x	↘
5:	10.0	↘
Serie		50
Total		0

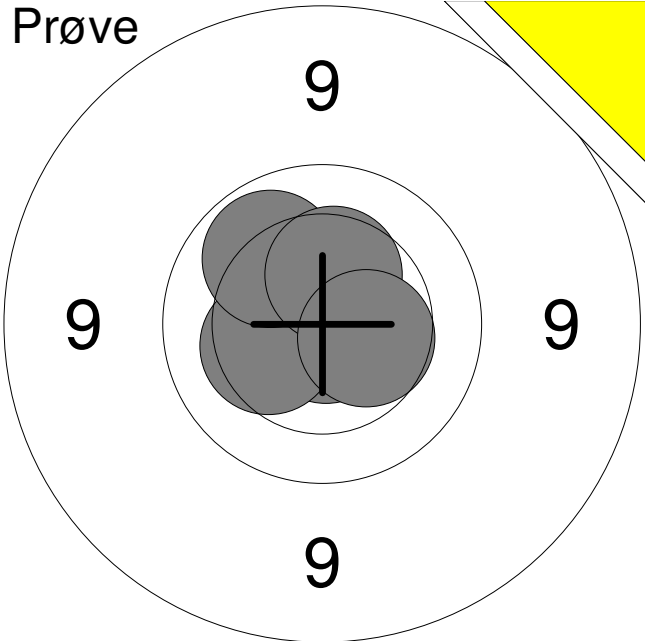


1:	10.3	↗
2:	10.3	↘
3:	10.1	↗
4:	10.0	←
5:	10.6x	←
6:	10.5x	↘
7:	10.3	↘
8:	10.2	↗
9:	10.2	↗
10:	10.2	←
Serie		100
Total		100



11:	10.8x	←
12:	10.7x	↑
13:	10.8x	↘
14:	10.2	↑
15:	10.2	←
16:	10.0	↘
17:	10.3	↗
18:	10.4	↗
19:	9.9	↗
20:	9.8	↗
Serie		98
Total		198

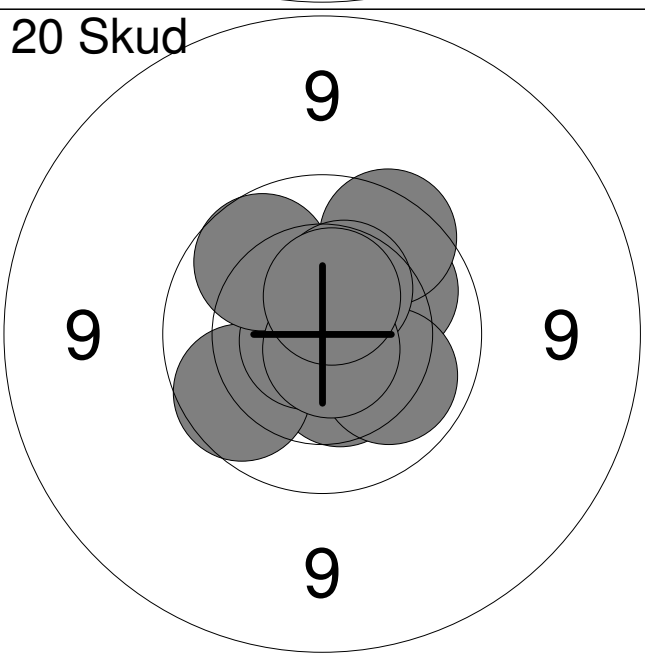
Prøve



1:	10.8x	↓
2:	10.3	←
3:	10.0	↗
4:	10.4	↑
5:	10.4	→

Serie	50
Total	0

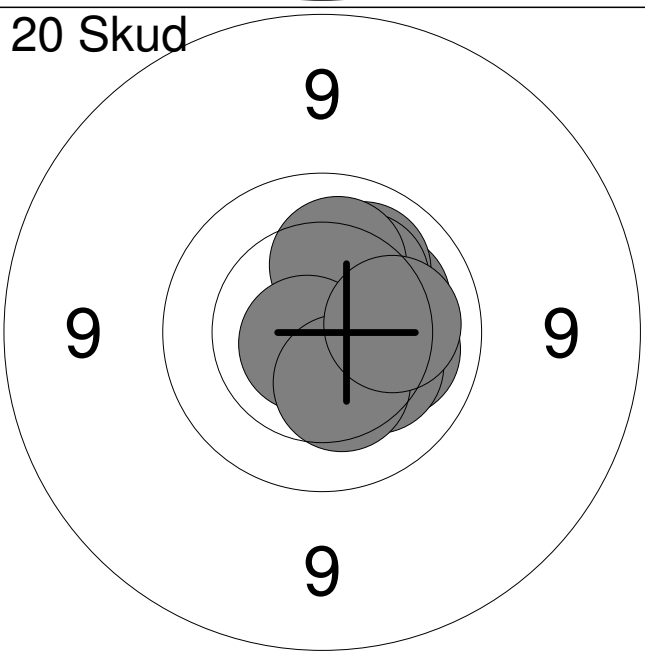
20 Skud



1:	10.4	↓
2:	10.1	↗
3:	9.8	↗
4:	10.1	↘
5:	9.9	←
6:	10.8x	←
7:	9.9	↗
8:	10.4	↗
9:	10.8x	↓
10:	10.5x	↑

Serie	97
Total	97

20 Skud



11:	10.2	→
12:	10.7x	↗
13:	10.2	↗
14:	10.1	↗
15:	10.2	↗
16:	10.2	↑
17:	10.7x	←
18:	10.3	↘
19:	10.4	↓
20:	10.2	→

Serie	100
Total	197